

# MAISON BOOKCASE

**Important Safety Instructions:**

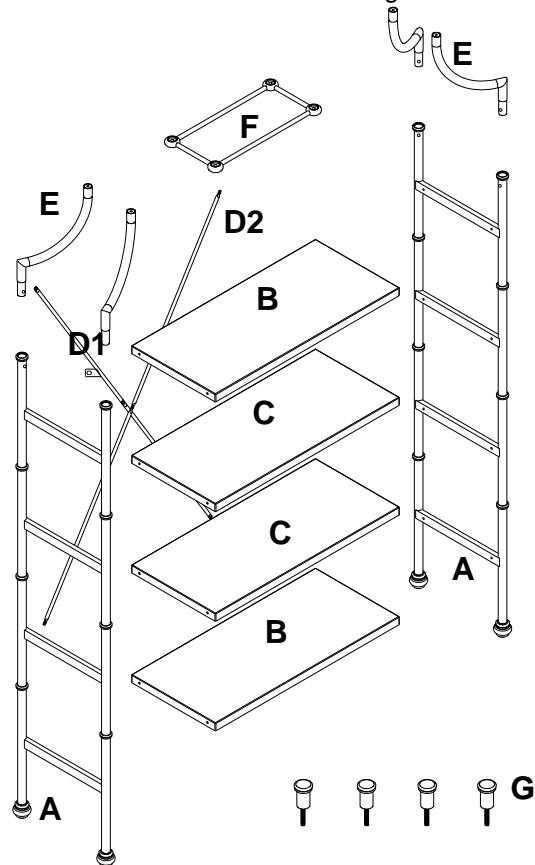
- Please read all instructions carefully before assembling.
- For your safety, assembly by two or more adults is strongly recommended.
- Keep instructions for future use.
- Use only vendor supplied hardware to assemble. Using unauthorized hardware could jeopardize the structural integrity of the item.

**Pre-assembly:**

- Remove all parts and hardware from the box and lay out on a clear carpeted or scratch-free work surface, as this will avoid damaging parts during assembly. The shipping box provides an ideal work surface.
- Do not dispose of any packaging or contents of the shipping carton until assembly is completed to avoid accidentally discarding small parts or hardware.
- Use the parts and hardware lists below to identify and separate each of the pieces included.
- The illustrations provided allow for easier assembly when used in conjunction with the assembly instructions.
- The use of power tools to aid in assembly is not recommended. Power tools can damage hardware and split wood.

**Parts Included:**

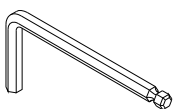
- |      |                    |    |
|------|--------------------|----|
| (A)  | Side Frame         | 2x |
| (B)  | Shelf (with holes) | 2x |
| (C)  | Shelf              | 2x |
| (D1) | Back Rail          | 1x |
| (D2) | Back Rail          | 1x |
| (E)  | Top Support        | 4x |
| (F)  | Top Frame          | 1x |
| (G)  | Finial             | 4x |



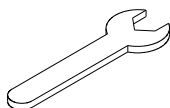
**Hardware Included:**

(H) Bolt	(I) Short Bolt	(J) Nut	(K) Bracket	(L) Nylon Strap	(M) Screw	(P) Flat Washer
Dia. 6 x 13 mm 20x	Dia. 6 x 10mm 9x	9x	2x	2x	Dia.4 x 38mm 4x	4x

**Tools Required (included):**



(N) Allen Wrench 4mm

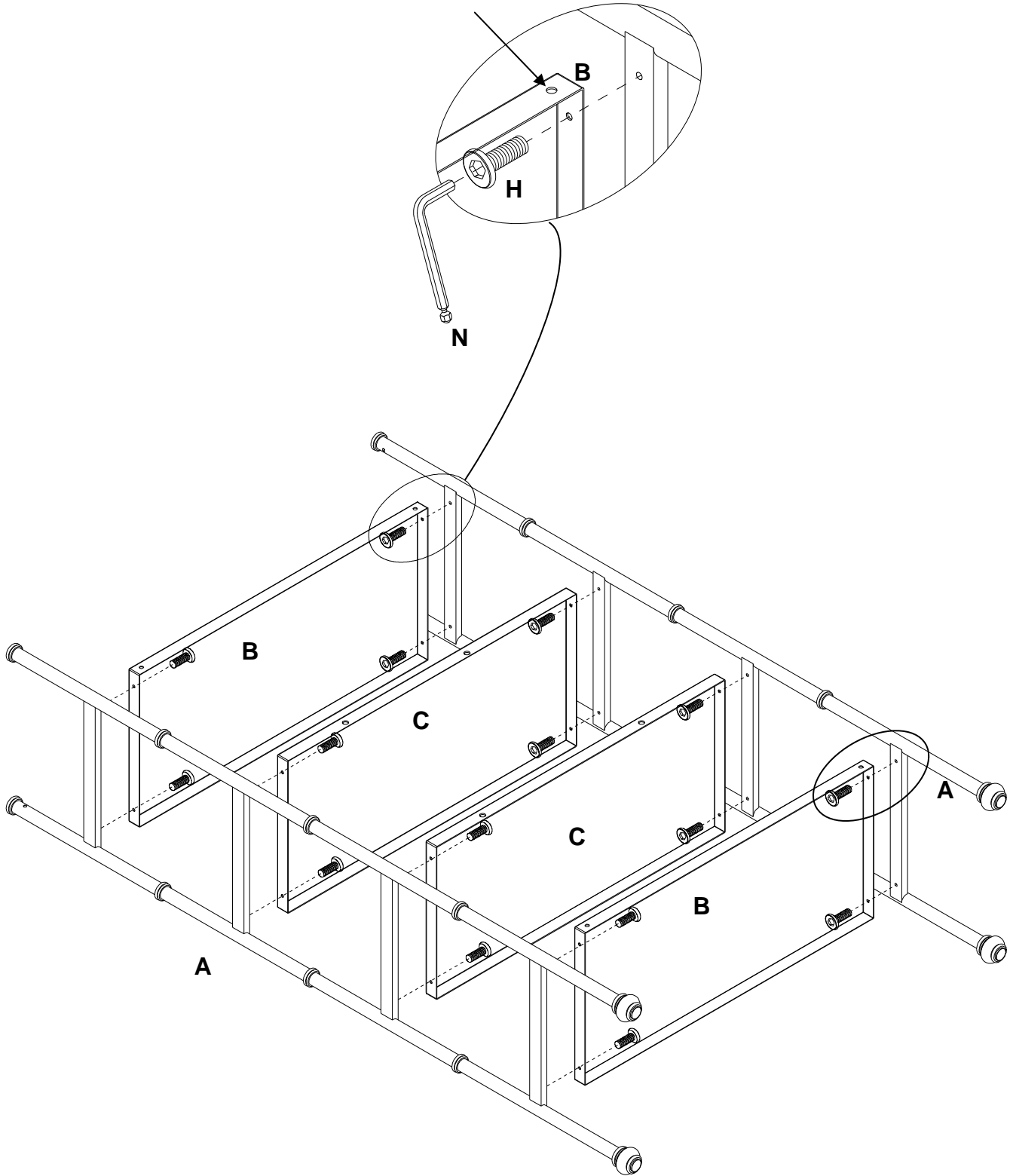


(O) Open Wrench

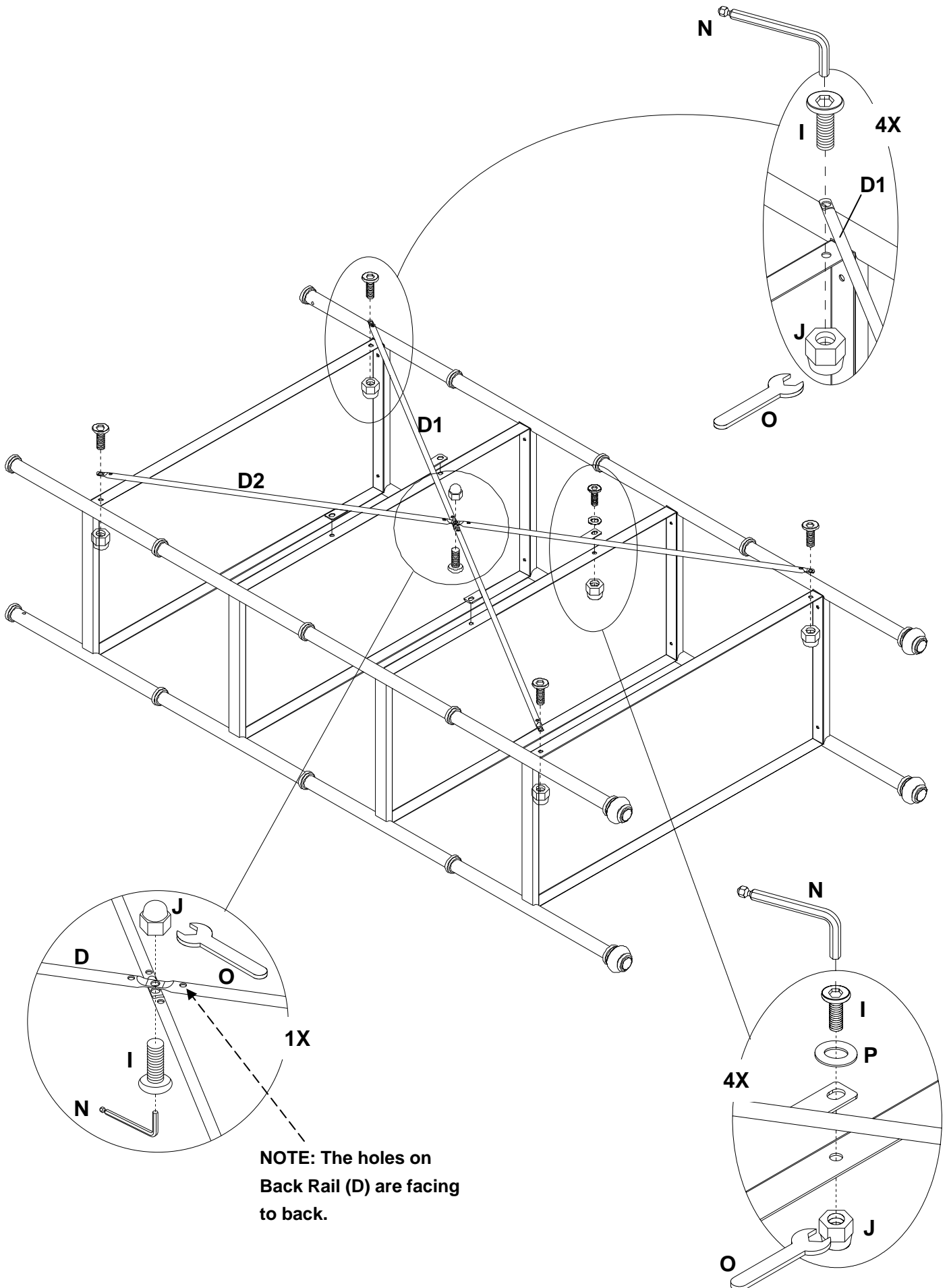
**Assembly Instruction Steps:**

1. Attach Shelves (B and C) to Side Frame (A) as shown, insert 13mm Bolt (H) and tighten with Allen Wrench (N).

**The holes on both Shelf (B)  
should face the same side.**

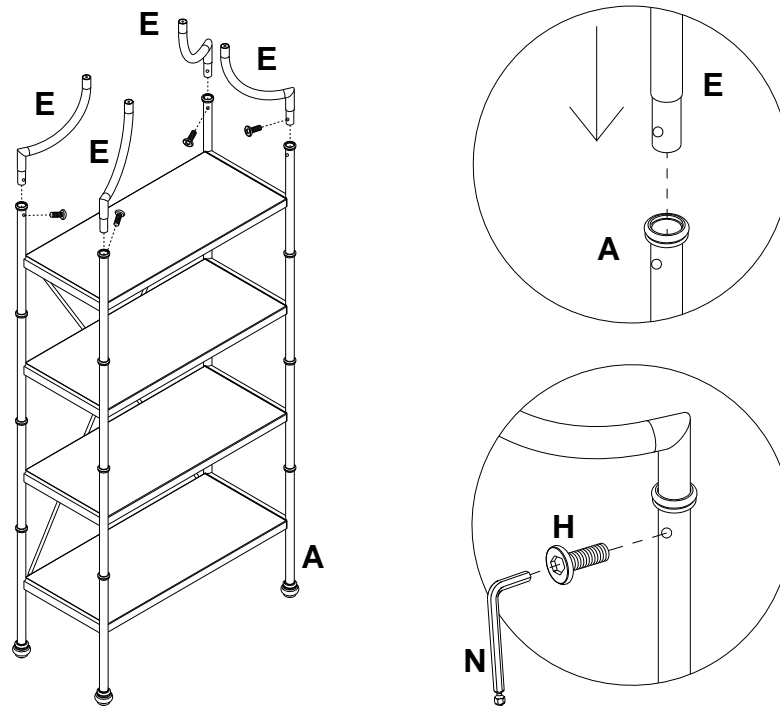


2. Attach Back Rail (D1) (D2) to the back, fix with 10mm Bolt (I) and Nut (J) and Flat washer (P), tighten by hand at first, and then tighten with Allen Wrench (N) and Open Wrench (O).

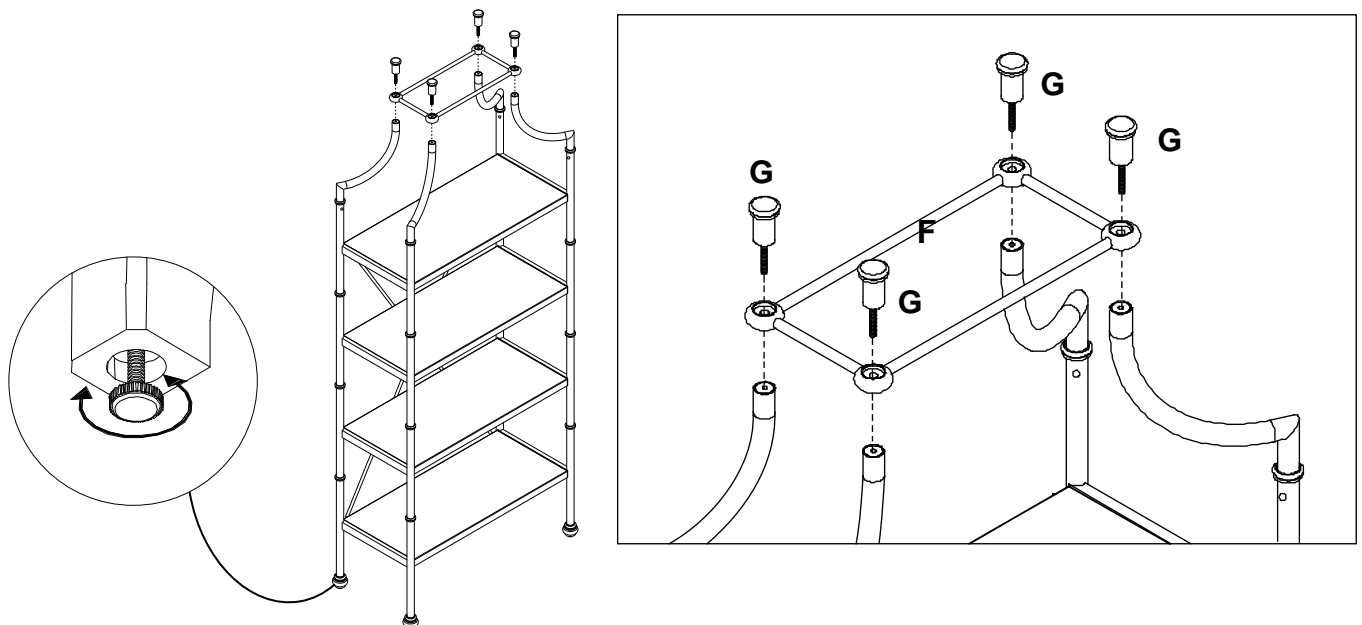


**NOTE: The holes on Back Rail (D) are facing to back.**

3. Insert the Top Support (E) into the top of Side Frame (A), insert the 13mm Bolt (H) as shown, tighten by Allen Wrench (N). **But be sure not to fully tighten all the bolts at this point.**



4. Attach Top Frame (F) to Top Support (E), Screw in Finials (G), tighten by hand. **Finally, fully tighten all bolts.** Adjustable levelers are installed to accommodate uneven flooring. To adjust these levers, simply turn them clockwise to up or counter clockwise to down.



**NOTE: USE THE ANTI-TIP KIT PROVIDED TO SAFELY SECURE YOUR PRODUCT(S). FOLLOW THE INSTRUCTIONS PROVIDED TO PREVENT SERIOUS INJURY FROM TIPPING FURNITURE.**

**Care Instructions:**

- Dust often using a clean, soft, dry and lint-free cloth.
- Blot spills immediately and wipe with a clean, damp, cloth.
- We do not recommend the use of chemical cleansers, abrasives or furniture polish on our lacquered finish.
- Hardware may loosen over time. Periodically check to make sure all connections are tight. Re-tighten if necessary.

Thank you for your purchase  
Stores | catalog

Imported by / Importé par / Importado por

# WILLAMS-SONOMA INC.

3250 Van Ness, SF CA 94109, US

CANADIAN DISTRIBUTION ADDRESS/ ADRESSE DE DISTRIBUTION CANADIENNE / DIRECCIÓN DE DISTRIBUCIÓN EN CANADÁ:  
3401 Dufferin St. Space 215, Toronto, Ontario, M6A 2T9, CA

## FURNITURE TIPPING RESTRAINT

**WARNING:** This product is only a deterrent. It is not a substitute for proper adult supervision. Manufacturer assumes no liability for improper installation or excessive loads placed on screws, brackets or straps.

Young children may be injured by tipping furniture and the use of a tipping restraint is highly recommended.

When properly installed, this restraint will provide protection against tipping of furniture. This tipping restraint **MUST** be secured to a wall-stud or wall structure of similar strength.

Hardware included:

(K) Brackets 2x                      (L) Nylon Strap 1x                      (M) Stud Mounting Screws 4x

**Note:** For safe mounting it is essential to use the proper hardware for your wall type. The included hardware is for drywall or stud mounting only. For other wall types (e.g., plaster, concrete and brick) please consult your local hardware store for fastener advice.

To install:

- 1) LOCATING THE STUDS:** Use a stud finder to locate the vertical wooden studs within your wall located behind the final position of the furniture item. Mark the stud locations with a light pencil-mark.
- 2) MOUNTING THE FURNITURE-SIDE BRACKET:** Move the furniture item close to the wall to its final position. Use pieces of tape or a pencil to transcribe the stud locations of the wall. Move the furniture item again so you can access its back.
- 3) MOUNTING THE WALL-SIDE BRACKET:** Position the bracket along the selected stud mark so that it will be adjacent the furniture post when the furniture item is moved to its final position. The bracket should be about TWO inches lower than the 1st Layer top. Use the TWO Stud Mounting Screws to secure the bracket to the wall. Remember to position the bracket vertically so that both screws will engage the selected wall stud
- 4) ATTACHING THE STRAP:** When bracket is securely attached, move the furniture to its final desired position and thread the strap through the bracket as shown. Tighten the strap until several "clicks" are heard. The furniture item is now securely tethered to the wall.

**Note:** If you must move the furniture item, you can release the strap by depressing the lever arm located at its buckle and simultaneously withdrawing the strap from the buckle. Make sure to reconnect the strap once the furniture item is returned to its previous position.

