



**LILAC TWIN/FULL BED**

**ASSEMBLY INSTRUCTIONS**



**Important Safety Instructions:**

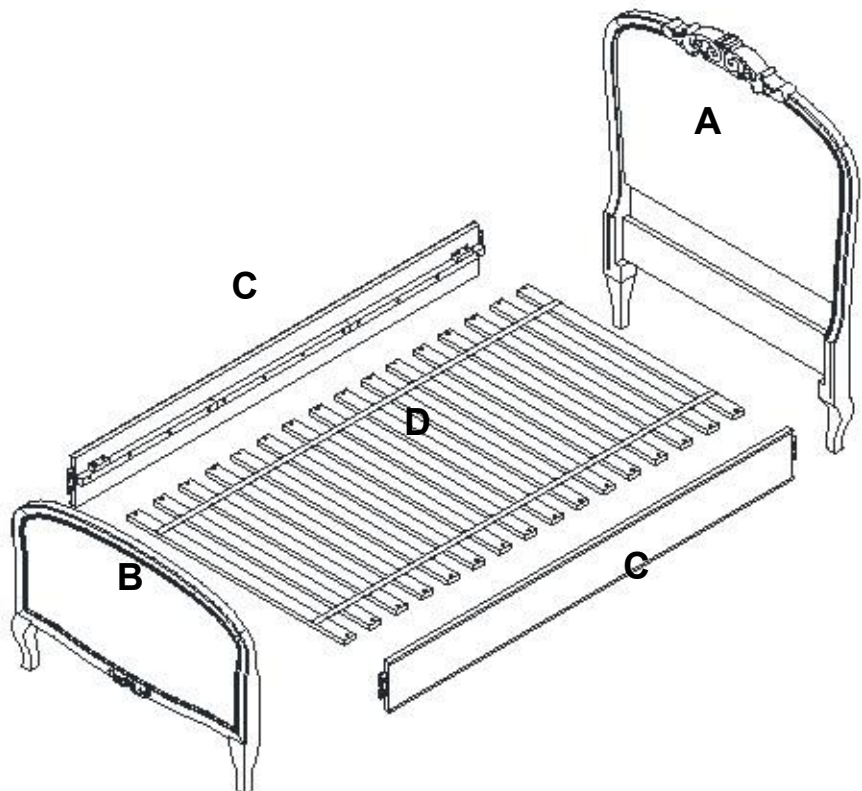
- Please read all instructions carefully before assembling.
- For your safety, assembly by two or more adults is strongly recommended.
- Keep instructions for future use.
- Use only vendor supplied hardware to assemble. Using unauthorized hardware could jeopardize the structural integrity of the item.

**Pre-assembly:**

- Remove all parts and hardware from the box and lay out on a clear carpeted or scratch-free work surface, as this will avoid damaging parts during assembly. The shipping box provides an ideal work surface.
- Do not dispose of any packaging or contents of the shipping carton until assembly is completed to avoid accidentally discarding small parts or hardware.
- Use the parts and hardware lists below to identify and separate each of the pieces included.
- The illustrations provided allow for easier assembly when used in conjunction with the assembly instructions.
- The use of power tools to aid in assembly is not recommended. Power tools can damage hardware and split wood.

**Parts Included:**

- (A) Headboard - 1 pc
- (B) Footboard - 1 pc
- (C) Side rail - 2 pcs
- (D) Slat roll - 1 set



**Hardware Included:**

- (E) Round head screw  
8x25mm – 32x



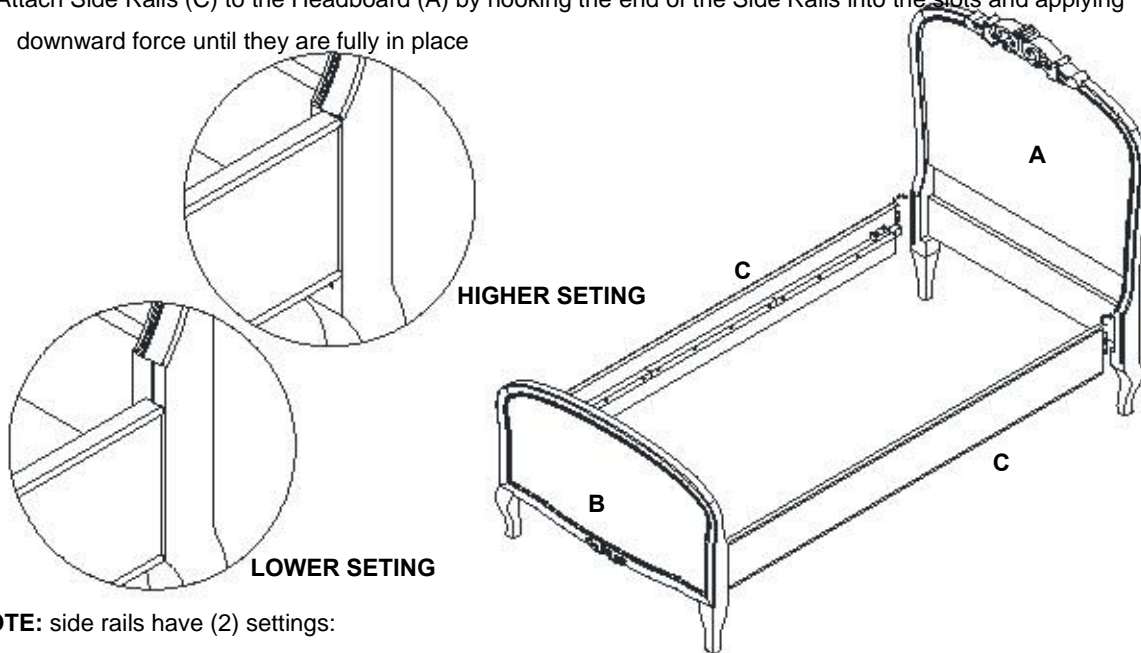
**Tools Required (not included):**



Philips Head Screwdriver

### Assembly Instruction Steps:

1. Place Headboard at desired location in room.
2. Attach Side Rails (C) to the Headboard (A) by hooking the end of the Side Rails into the slots and applying downward force until they are fully in place



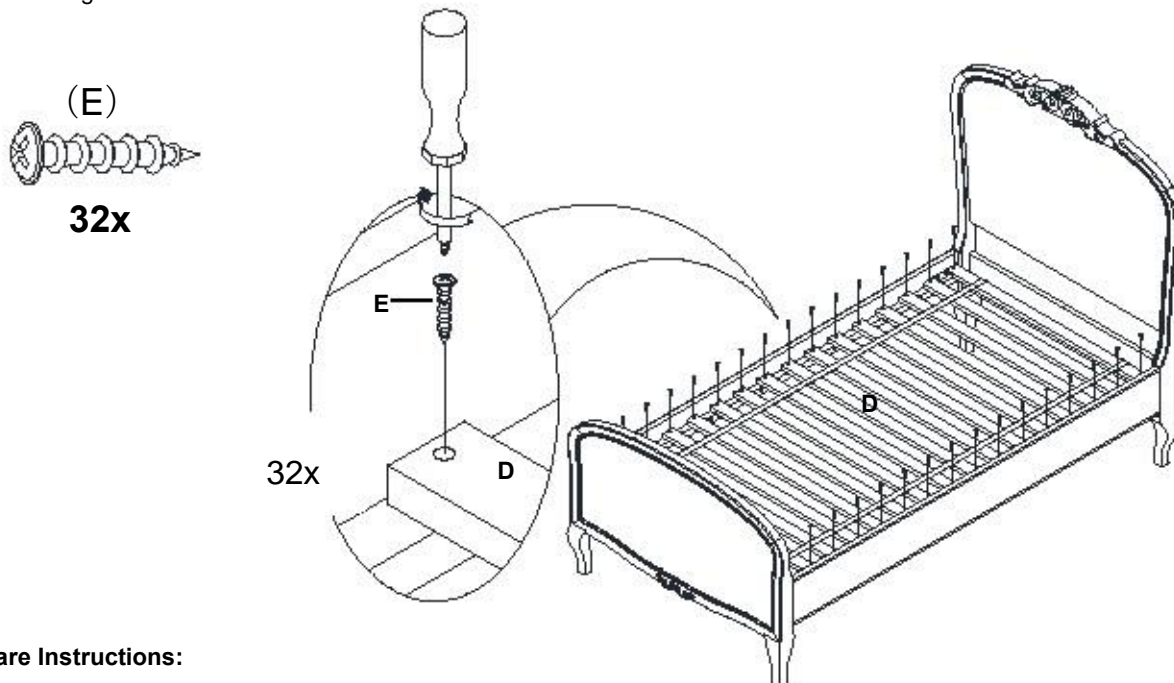
**NOTE:** side rails have (2) settings:

Use the higher setting if not using a box spring mattress and/or if a trundle will be used with the bed.

Use the lower setting if using a mattress & box spring. We recommend a box spring if you want to use a bed skirt/box spring cover or add height to the bed.

Our beds *do not* require a box spring at either setting since they include a slat roll foundation system, but one may be used.

3. Now attach the other end of the Side Rails (C) to the Footboard (B) using the same procedure as Step #2.
4. Install the slat roll (D) in between the side rail as shown. Secure the slats by fastening Round head screw (E) through the hole at the end of the slat and into the side rail.



### Care Instructions:

- Dust often using a clean, soft, dry and lint-free cloth.
- Blot spills immediately and wipe with a clean, damp, cloth.
- We do not recommend the use of chemical cleansers, abrasives or furniture polish on our lacquered finish.
- Hardware may loosen over time. Periodically check to make sure all connections are tight.  
Re-tighten if necessary.