

**COSTA HUTCH  
TWIN**

**Important Safety Instructions:**

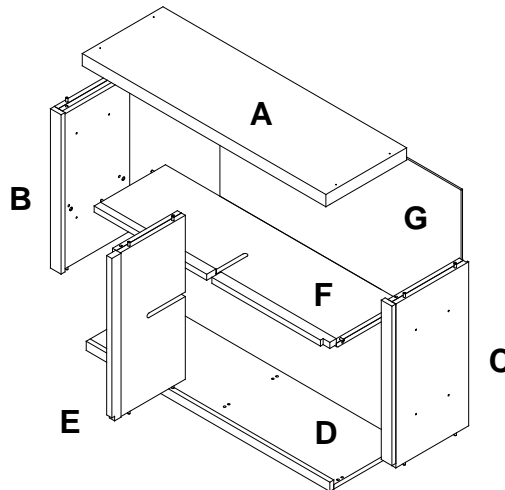
- Please read all instructions carefully before assembling.
- For your safety, assembly by two or more adults is strongly recommended.
- Keep instructions for future use.
- Use only vendor supplied hardware to assemble. Using unauthorized hardware could jeopardize the structural integrity of the item.

**Pre-assembly:**

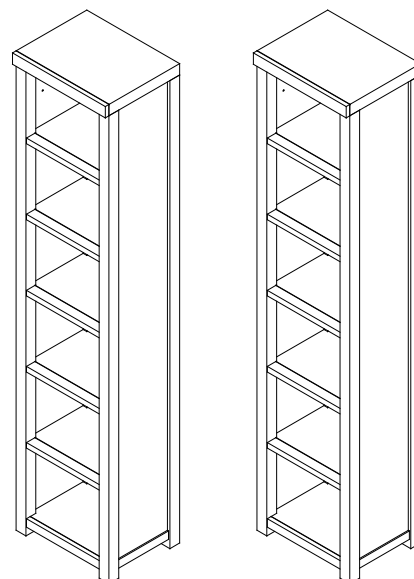
- Remove all parts and hardware from the box and lay out on a clear carpeted or scratch-free work surface, as this will avoid damaging parts during assembly. The shipping box provides an ideal work surface.
- Do not dispose of any packaging or contents of the shipping carton until assembly is completed to avoid accidentally discarding small parts or hardware.
- Use the parts and hardware lists below to identify and separate each of the pieces included.
- The illustrations provided allow for easier assembly when used in conjunction with the assembly instructions.
- The use of power tools to aid in assembly is not recommended. Power tools can damage hardware and split wood.

**Parts Included:**





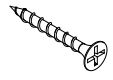


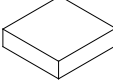
A	Top panel	1x
B	Left side panel	1x
C	Right side panel	1x
D	Bottom panel	1x
E	Vertical panel	1x
F	Shelf	1x
G	Back panel	1x



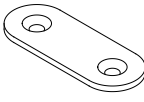
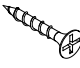
**Parts needed for assembly: 2 Costa Bookcase (Sold separately)**



**Hardware Included:**

(I)-Flat washer  16x	(J) - Spring washer  16x	(K) - Allen bolt  M6x25 mm 16x	(L) - Allen key  1x
(M)-Wood screw  3.5x20 mm 24x	(N)-Connecting screw with sleeve nut  8x	Drill bit  5 mm 1x	MDF block  50x50x19 mm 1x

**Hardware from bookcases**

(O)-Mending plate  4x	(P) Short wood screw  3.5x15 mm 8x
--	--

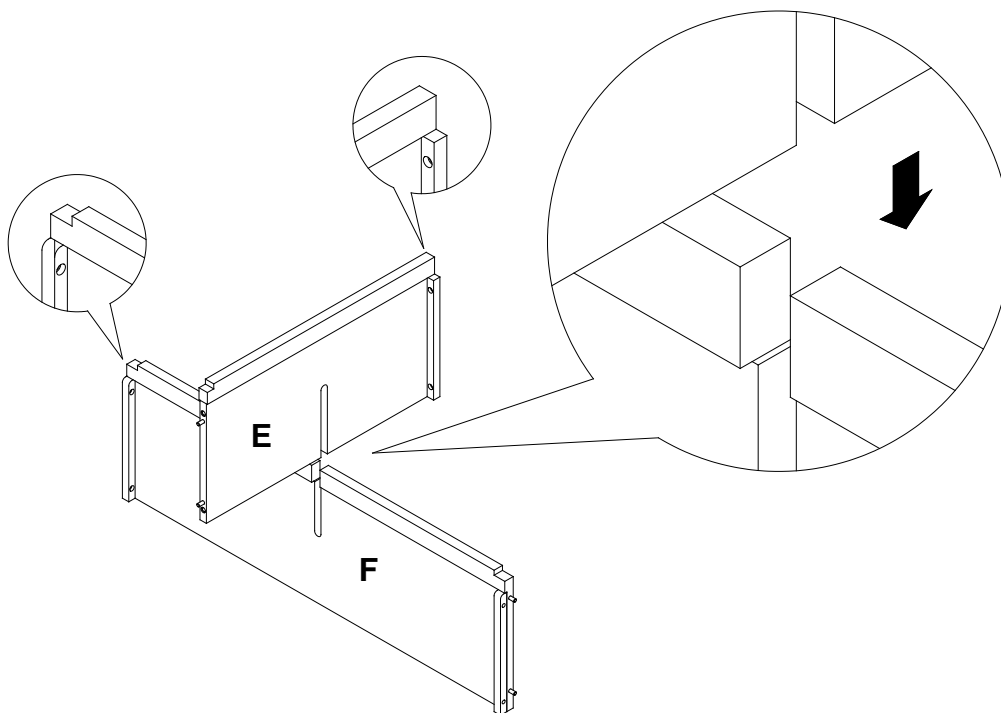
**Tools Required (Not Included):**

Phillip Head Screwdriver

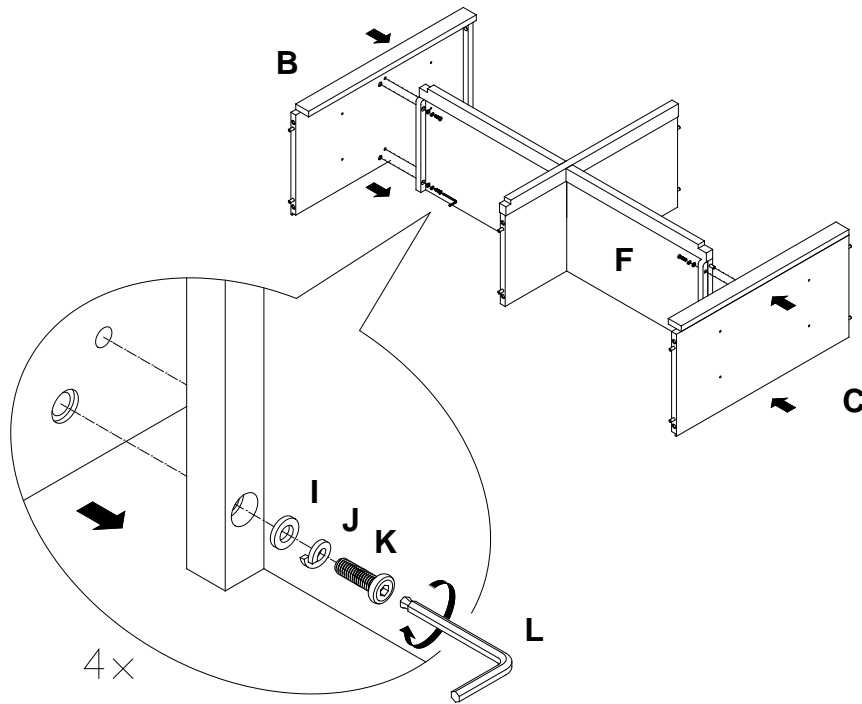


**Assembly Instruction Steps:**

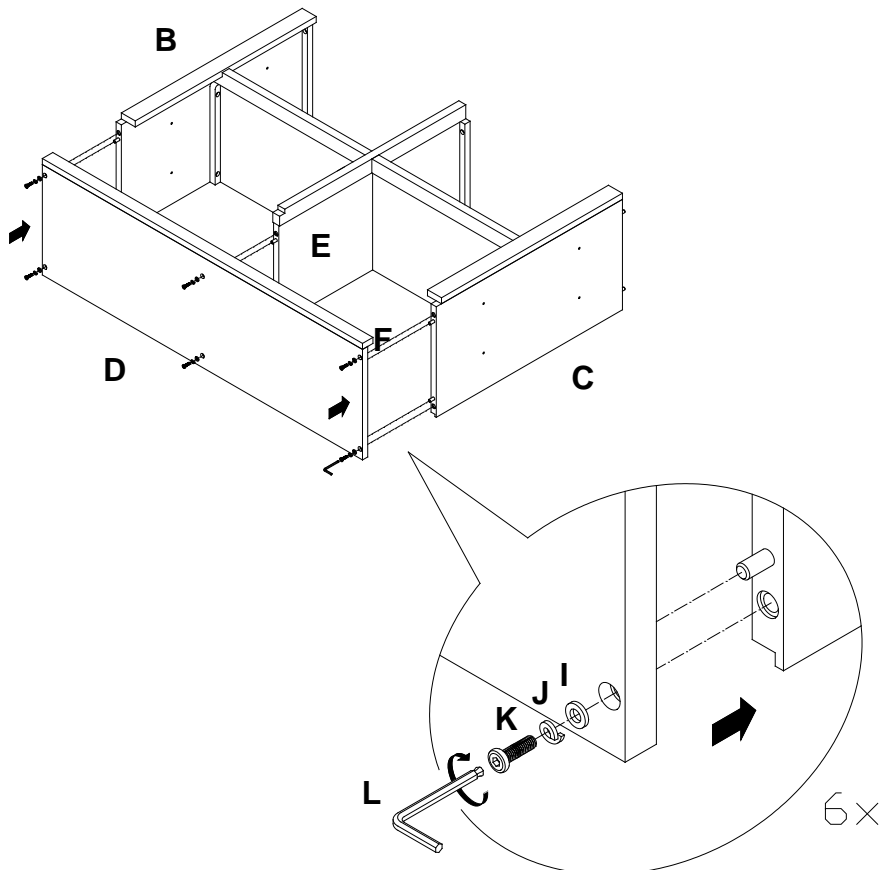
1. Attach the vertical panel (E) to the shelf (F) by slotting them together as shown below.



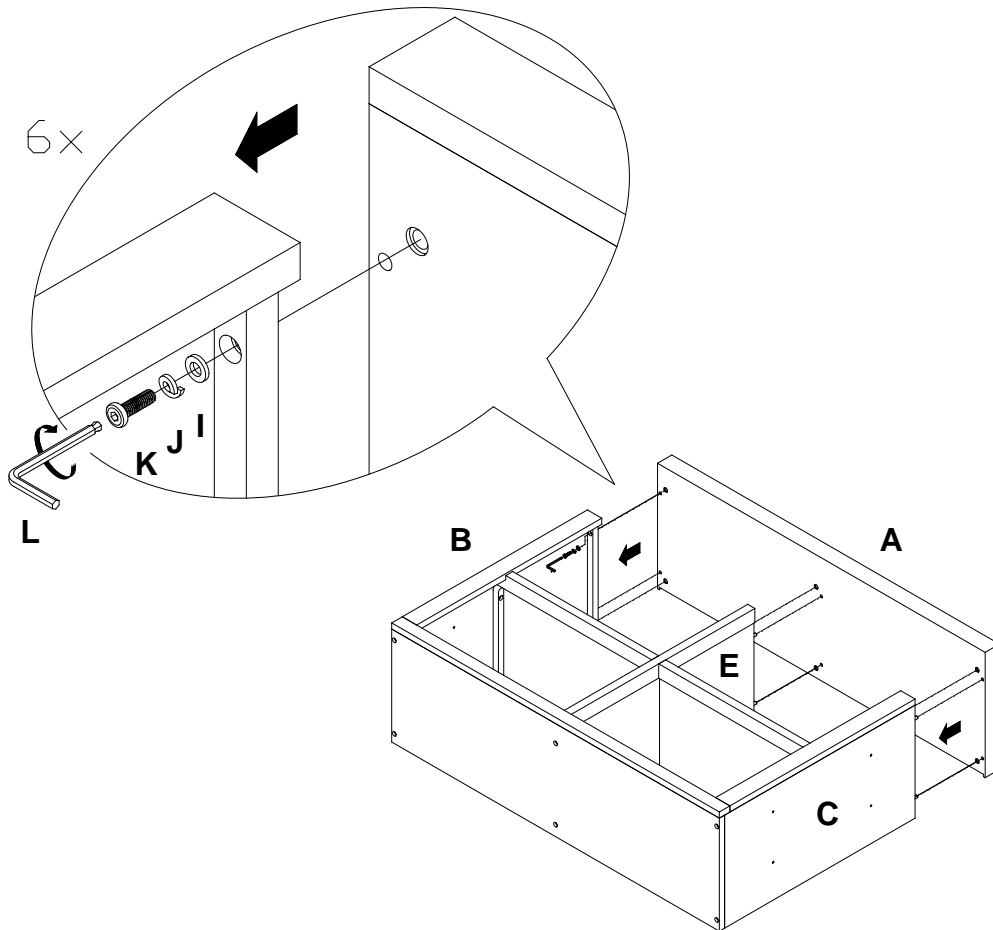
- Attached left and right side panels (B&C) to the shelf (F) by aligning the pre-drilled holes on the side panels with exposed wooden dowels on the shelf.
- Secure with flat washer (I), spring washer (J) and Allen bolt (K) using Allen key (L).



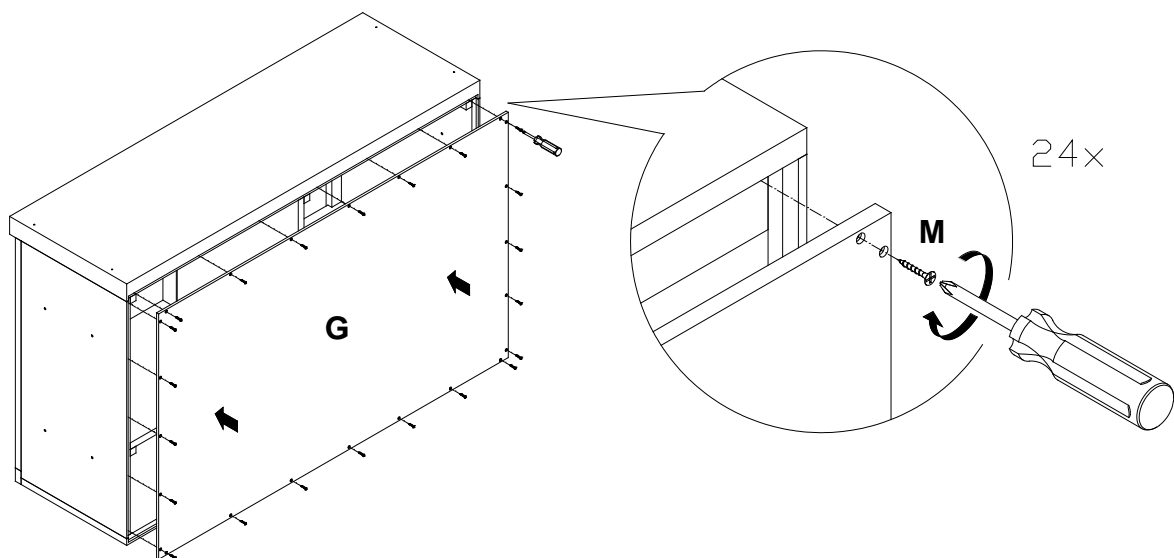
- Attach the bottom panel (D) to the side panels (B&C) and vertical panel (E) by aligning the pre-drilled holes and exposed wooden dowels on the panel.
- Secure the bottom panel (D) with flat washer (I), spring washer (J) and Allen bolt (K) using Allen key (L).



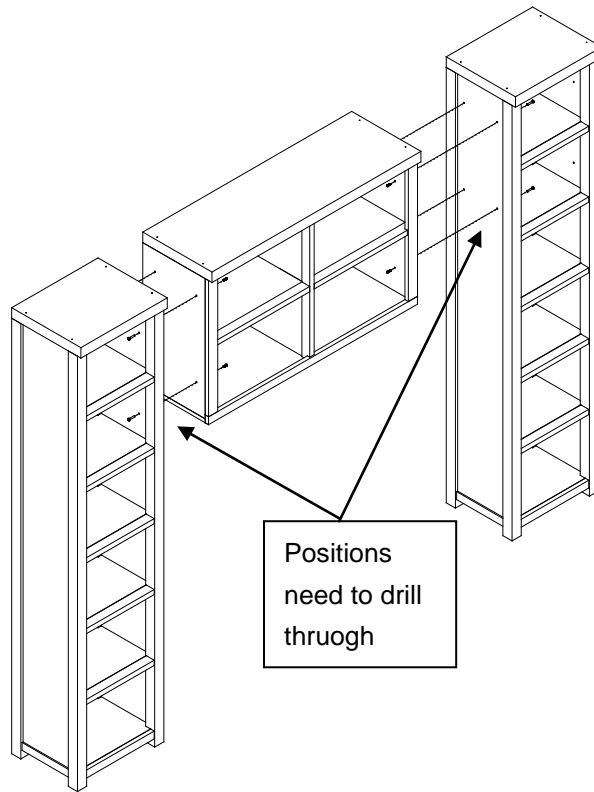
6. Repeat above steps to attach the top panel (A) to side and vertical panel (B,C,E).



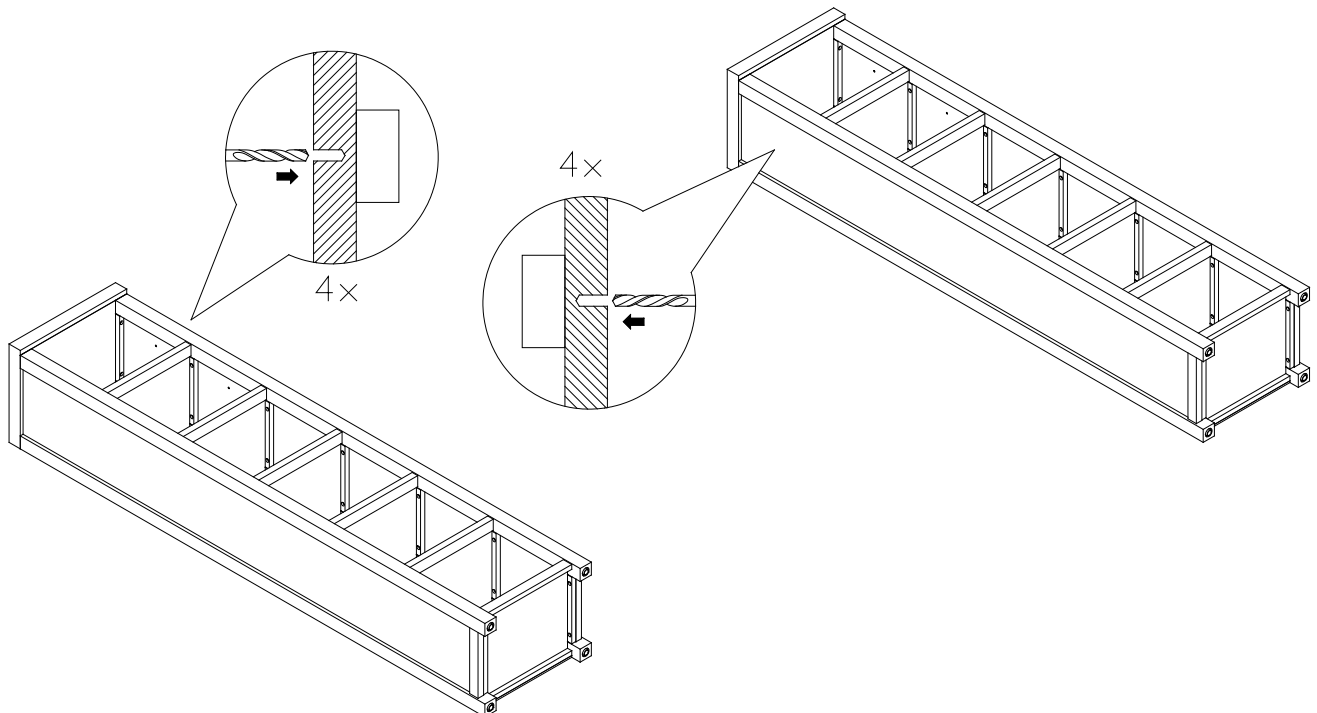
7. Attach the back panel (G) to the back side of hutch. Secure with wood screw (M) using a Phillip Head Screwdriver.



To assembly with the bookcase. Need to drill through the holes (4) on the side panel of the bookcase using the drill bit provided and MDF block

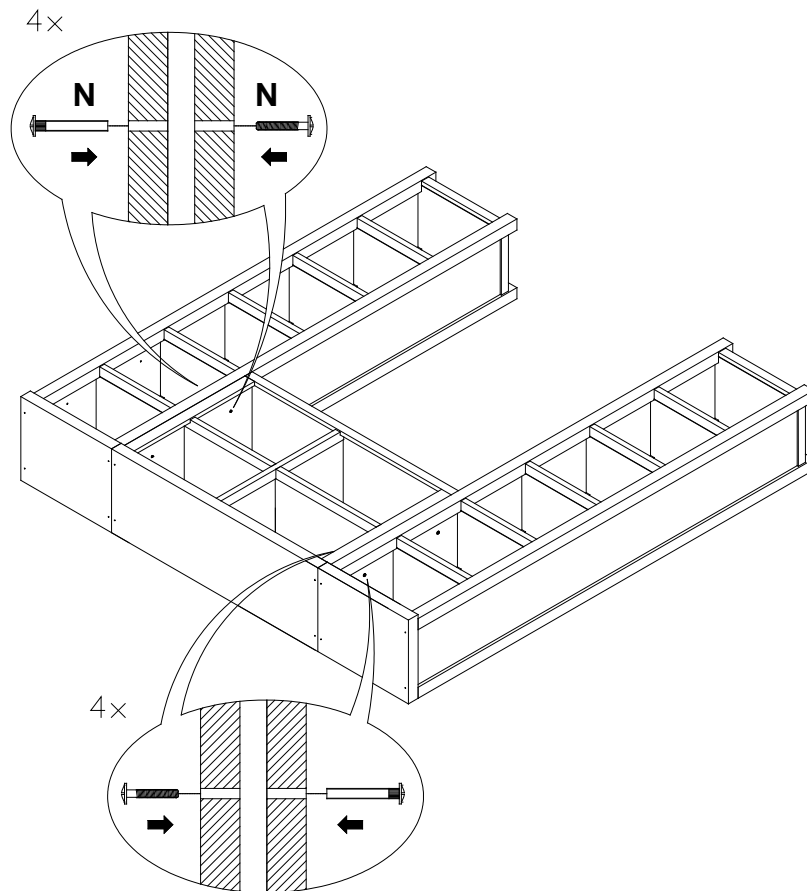


1. Attach the drill bit to the power drill.
2. Lay the bookcases on the floor. Locate the partially-drilled holes on the inside of bookcase. Hold and press MDF block on the opposite side of the hole to prevent any breakage or damage when drilling as shown below

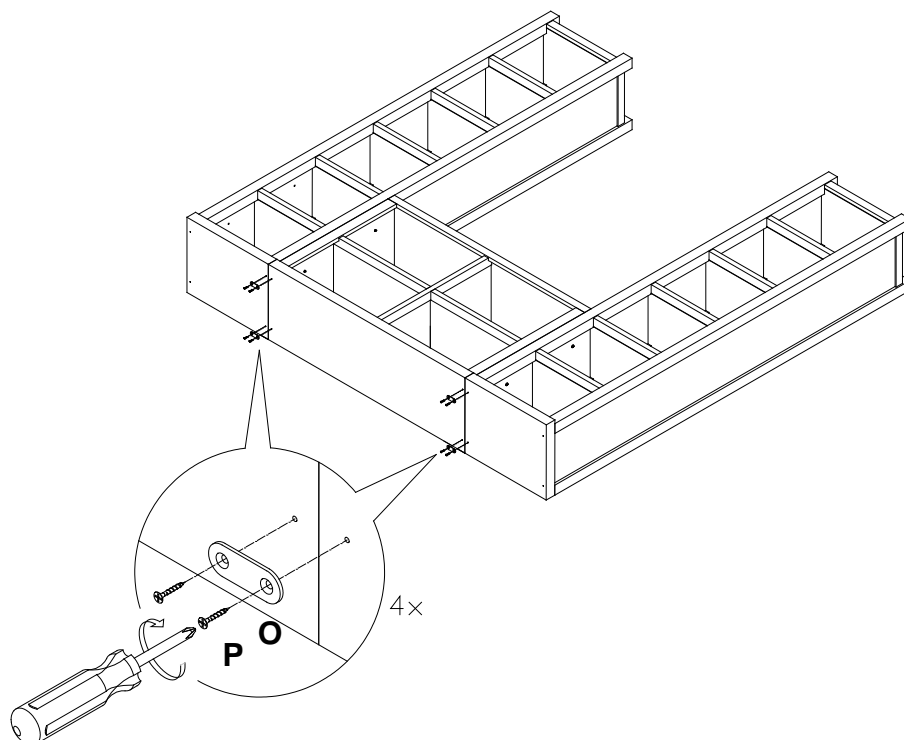


**Note:** Drill on the left side of 1 bookcase and on the right side of another bookcase  
Keep your hands away from moving drill bit.

3. Slowly place the hutch in between the two bookcases with the mending plate stay on top of the bookcase.
4. Insert the connection sleeve and screws (N) into the pre-drilled holes from the bookcase and hutch as shown below. Tighten the connecting sleeve and screw together using a Phillips head screwdriver. Repeat with all remaining connecting sleeves and screws.

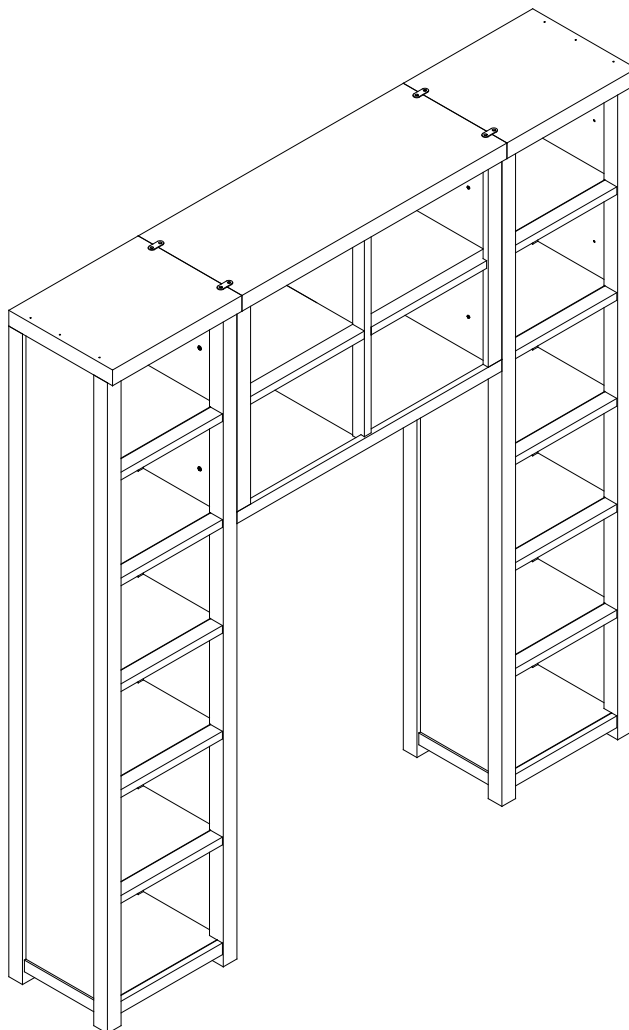


5. Align the mending plate (O) over the pre-drilled holes on top of hutch and bookcase. Secure with short wood screw (P) using a Phillips head screwdriver as shown below.



6. Slowly turn the bookcase and hutch upright.

**NOTE: Installation of the Anti Tip Kit is REQUIRED.** Please follow the separate instructions to secure the bookcase and hutch to the wall, by using the tipping-restraint kit included.



Assembly is completed.

**Care Instructions:**

- Dust often using a clean, soft, dry and lint-free cloth.
- Blot spills immediately and wipe with a clean, damp, cloth.
- We do not recommend the use of chemical cleansers, abrasives or furniture polish on our lacquered finish.
- Hardware may loosen over time. Periodically check to make sure all connections are tight.  
Re-tighten if necessary.

Thank you for your purchase  
Stores | catalog