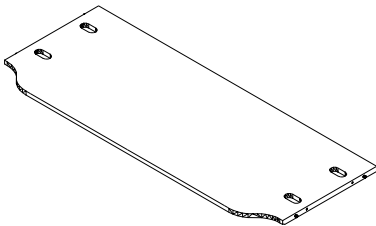
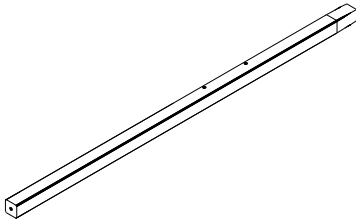
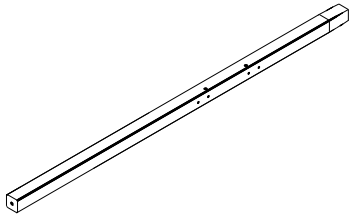
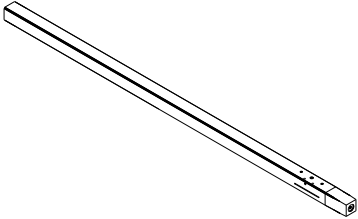
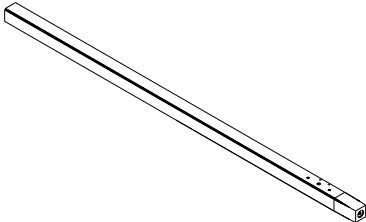
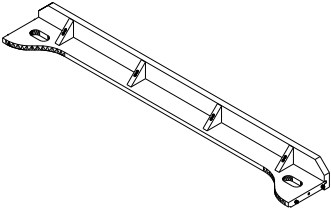
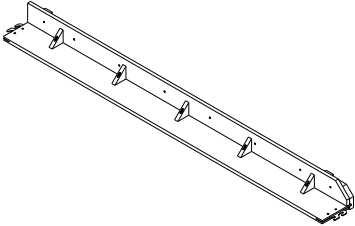
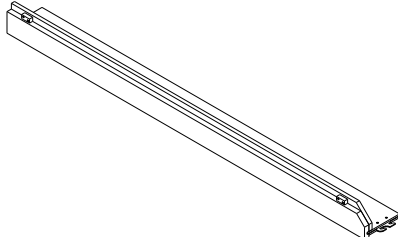
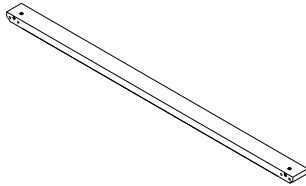
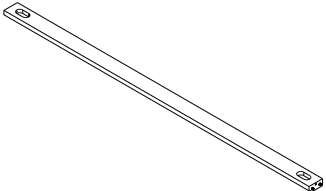
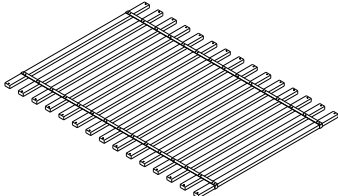




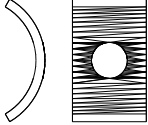
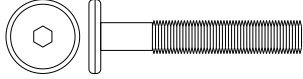
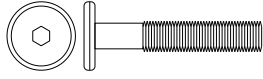
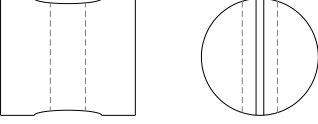

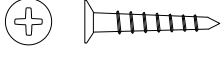

Chatham Canopy Bed Full And Twin

- Please read all instructions before beginning assembly.
- Save all packing materials until assembly is complete to avoid the accidental discarding of smaller parts or hardware.
- Note: Do not fully tighten all bolts until all parts are in place. Failure to follow these instructions may cause the bolts to misalign during assembly.
- If using power tools to aid in assembly please use caution. Power tools can damage hardware or split wood.
- For ease of assembly two people are recommended.

Parts included:

<p>(A) Headboard – 1 pc</p> 	<p>(B) Left Post Headboard – 1 pc</p> 	<p>(C) Right Post headboard – 1 pc</p> 
<p>(D) Left Post Footboard – 1 pc</p> 	<p>(E) Right Post Footboard – 1 pc</p> 	<p>(F) Footboard – 1 pc</p> 
<p>(G) Left Side Rail – 1 pc</p> 	<p>(H) Right Side Rail – 1pc</p> 	<p>(I) Short Canopy– 2Pcs</p> 
<p>(J) Long Canopy – 2Pcs</p> 	<p>(K) Slats – 15Pcs</p> 	

Hardware included:

(L) Half Moon washer – 10Pcs 	(M) Allen Bolts – 6pcs (M6 x 70 mm) 	(N) Allen Bolts – 8pcs (M6 x 60 mm) 
(O) Barrel Nut – 6Pcs 	(P) Allen Key – 1Pc 	(Q) Screws – 30Pcs (ø6 x 1¼") 
(R) Lock Washer – 10Pcs 		

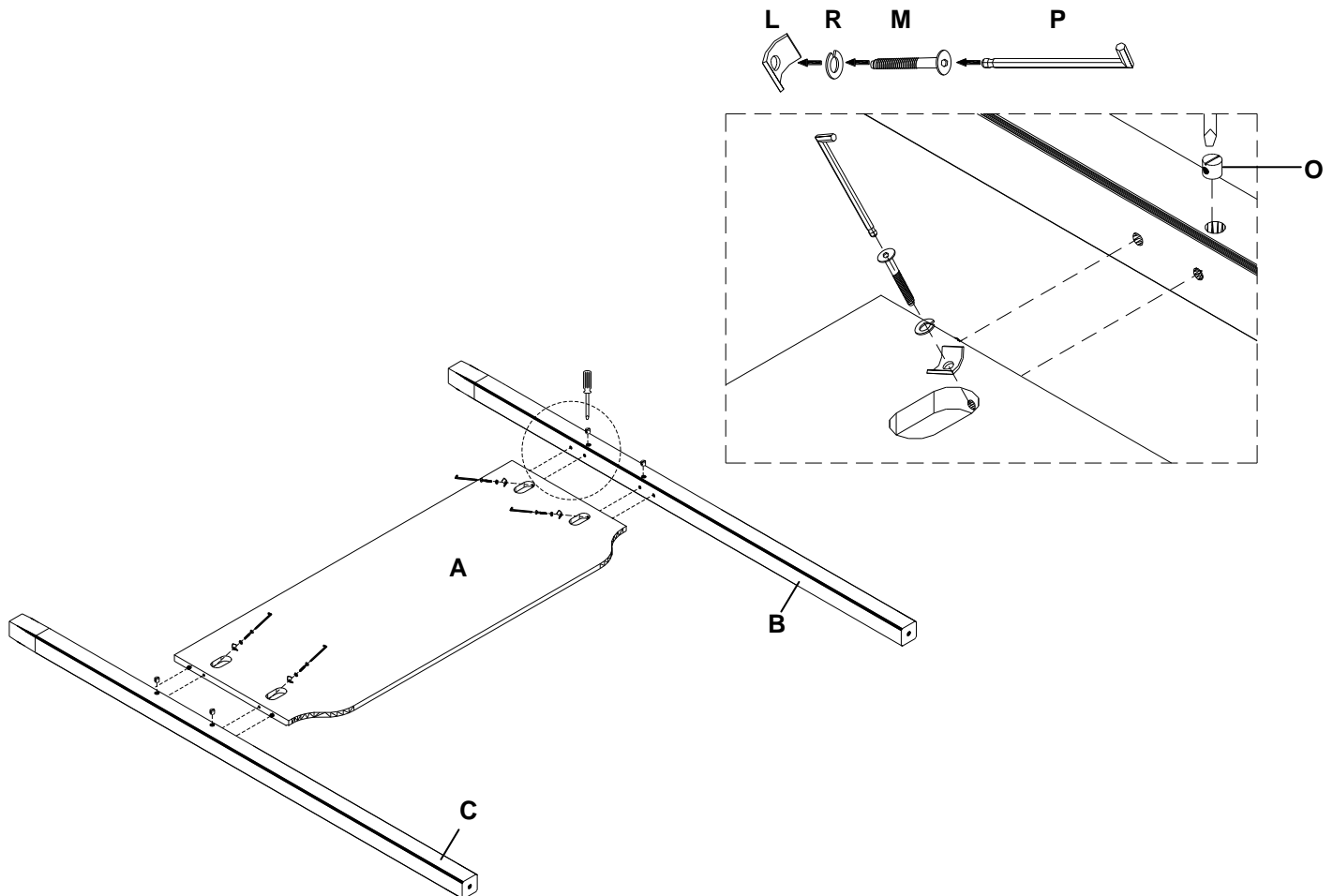
Tools Required:

- Phillips Head Screwdriver (not included)

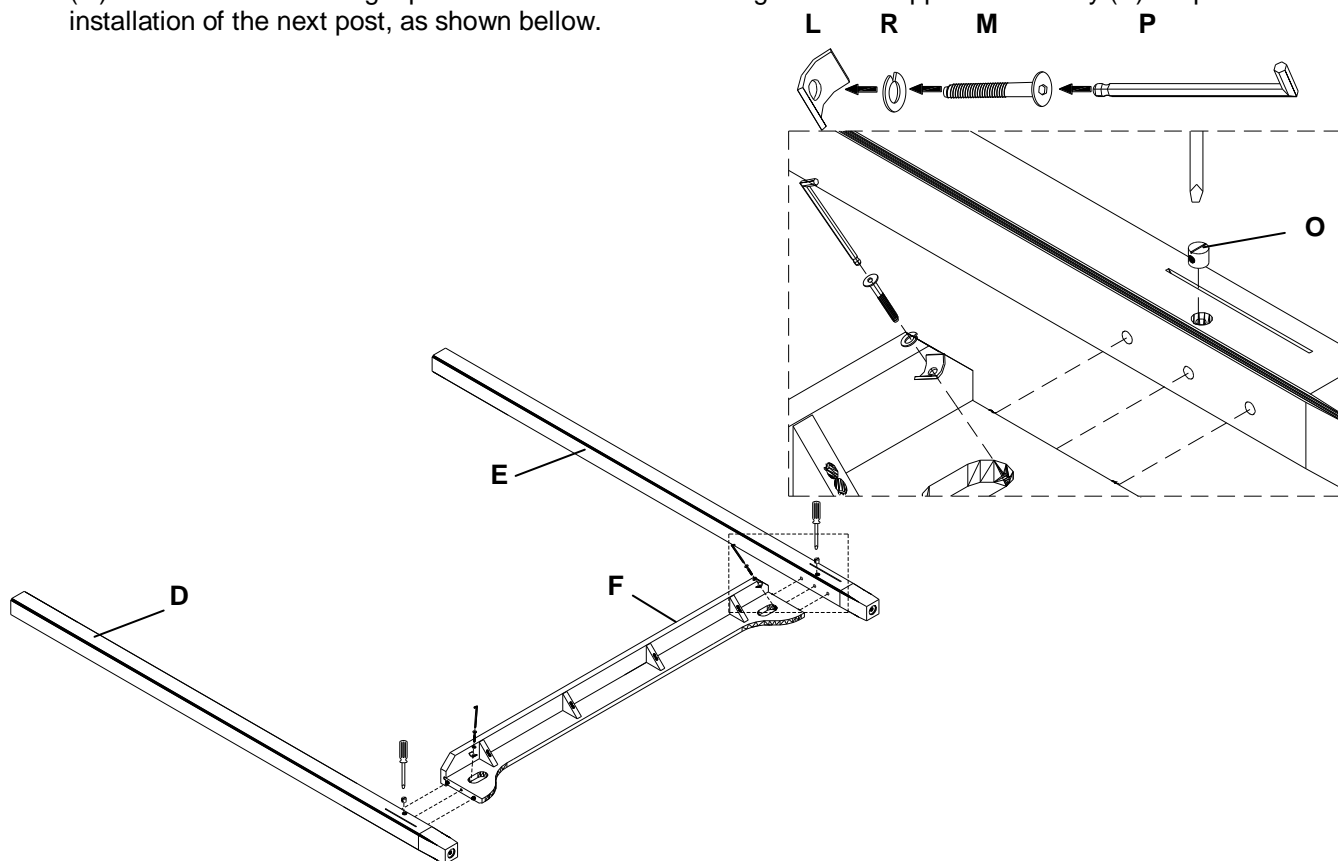


Assembly Instruction:

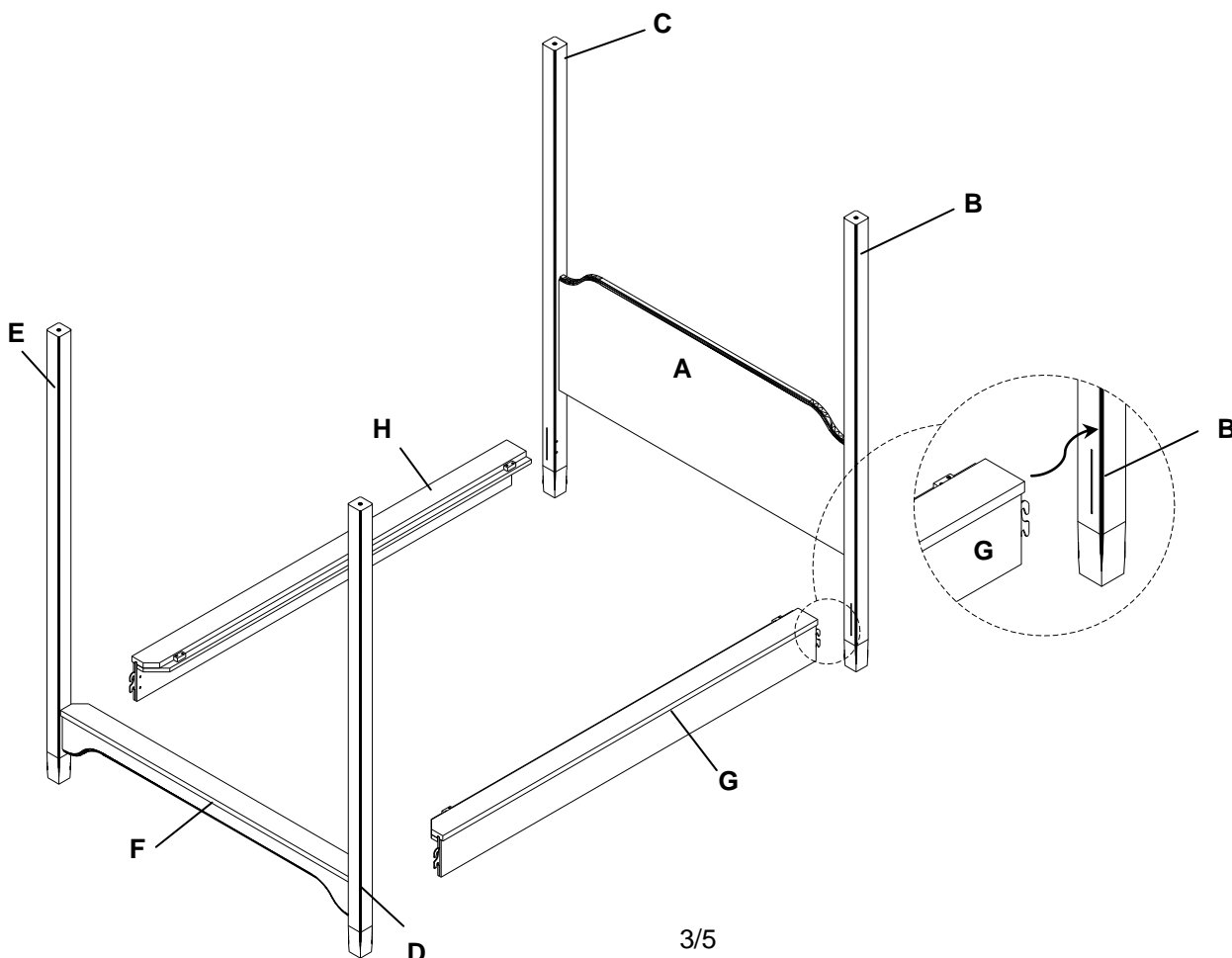
1. Attach Headboard panel (A) to the left (B) and right post (C) by aligning the preinstalled wooden dowel to the post predrilled holes. Insert the half moon washer (L), lock washer (R), and Allen bolt (M) into the Barrel nut (O) attached on the left/right post as shown below. Then tighten with supplied Allen Key (P). Repeat the installation of the next post, as shown below.



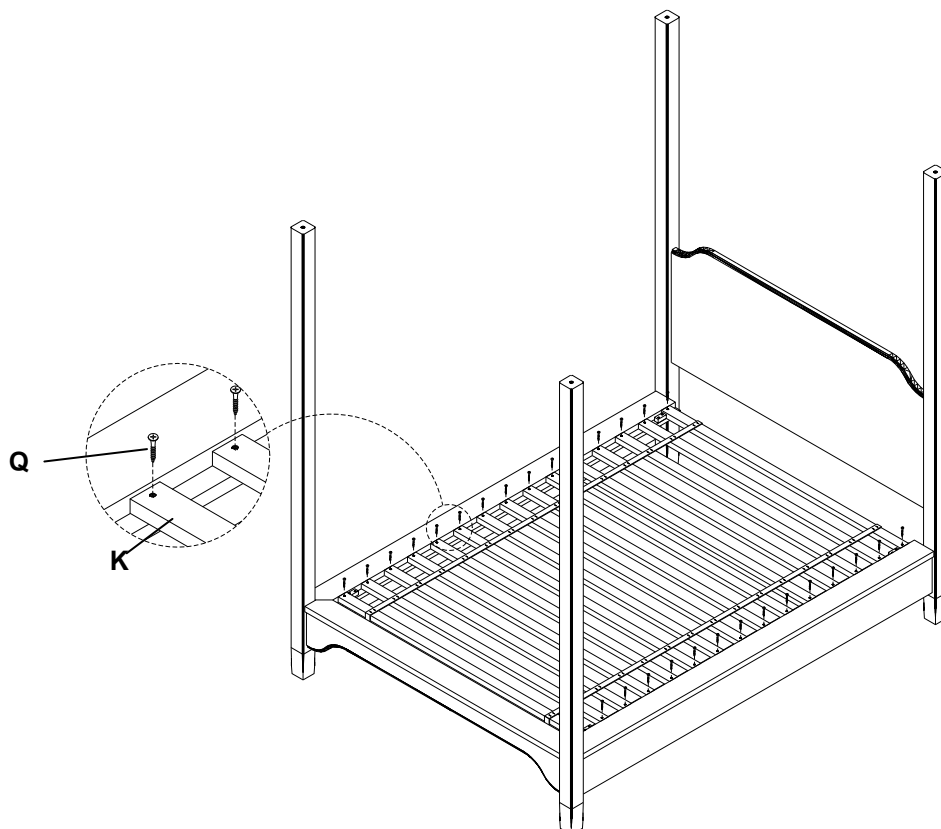
- Attach Foot board (F) to the left post (D) and right post (E) by aligning the preinstalled wooden dowel to the post predrilled holes. Insert the half moon washer (L), lock washer (R), and Allen bolt (M) into the Barrel nut (O) attached on the left/right post as shown below. Then tighten with supplied Allen Key (P). Repeat the installation of the next post, as shown below.



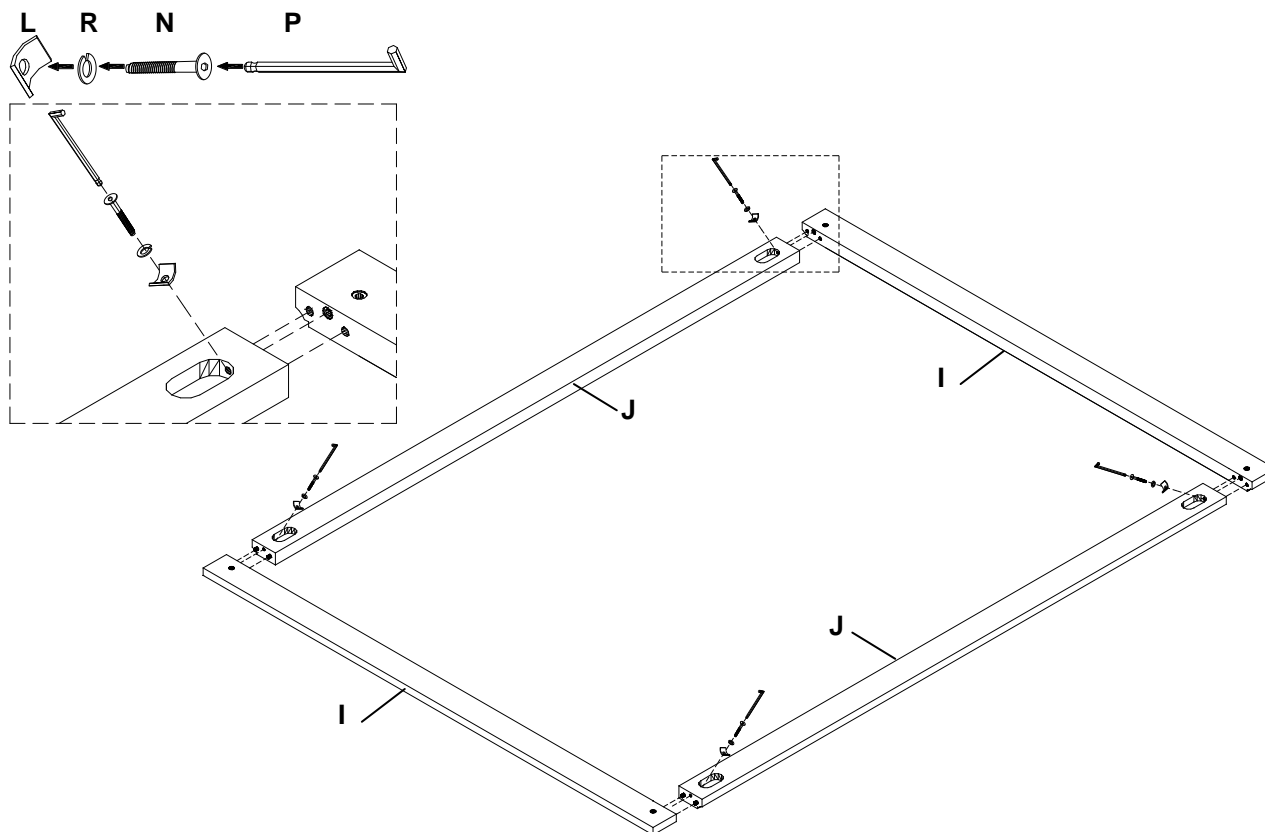
- Attach Left Side Rail (G) and Right Side Rail (H) into Headboard post and Footboard post by locking the side rail hooks into HB/FB post grooves as shown below.



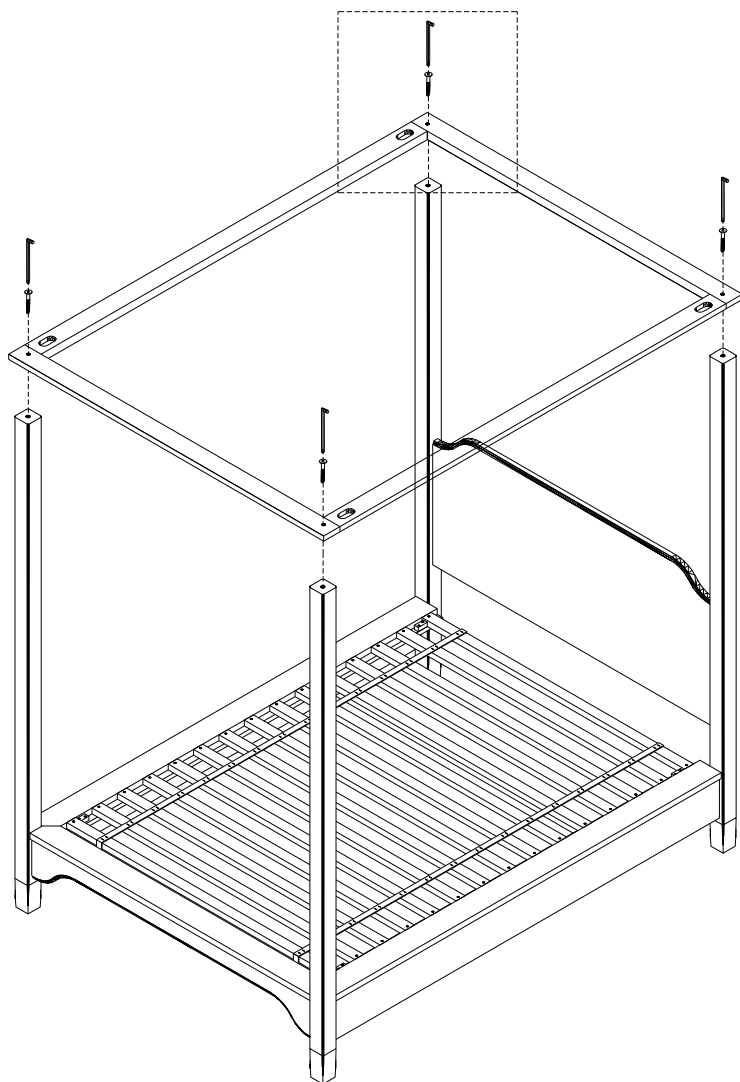
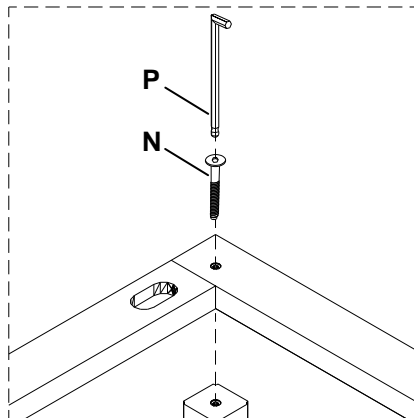
4. Place slat roll (K) to Left/Right side Rails. Position the two end slats over the wooden blocks of the side rails to hold the slats into the place. Secure slat Roll (K) to Left/Right Side Rails with wood screws (Q).



5. Assembly long canopy (J) to short canopy (I) by aligning the preinstalled wooden dowel to the rails predrilled holes. Insert the Allen Bolts (N), Lock washer (R), and Half moon washer (L) to the oval cut Long canopy (J). And tighten with Allen Key (P) as shown below.



6. Place Canopy assembly to the post and attach it by inserting Allen Bolt (N) from the top and tighten with Allen key (P) as shown below.



Care Instructions:

- Hardware may loosen over time. Periodically check to make sure all connections are tight. Re-tighten if necessary.
- Dust often using a clean, soft, dry and lint-free cloth.
- To clean, slightly moisten cloth with water. (A damp cloth holds dust and prevents scratching; dry thoroughly).