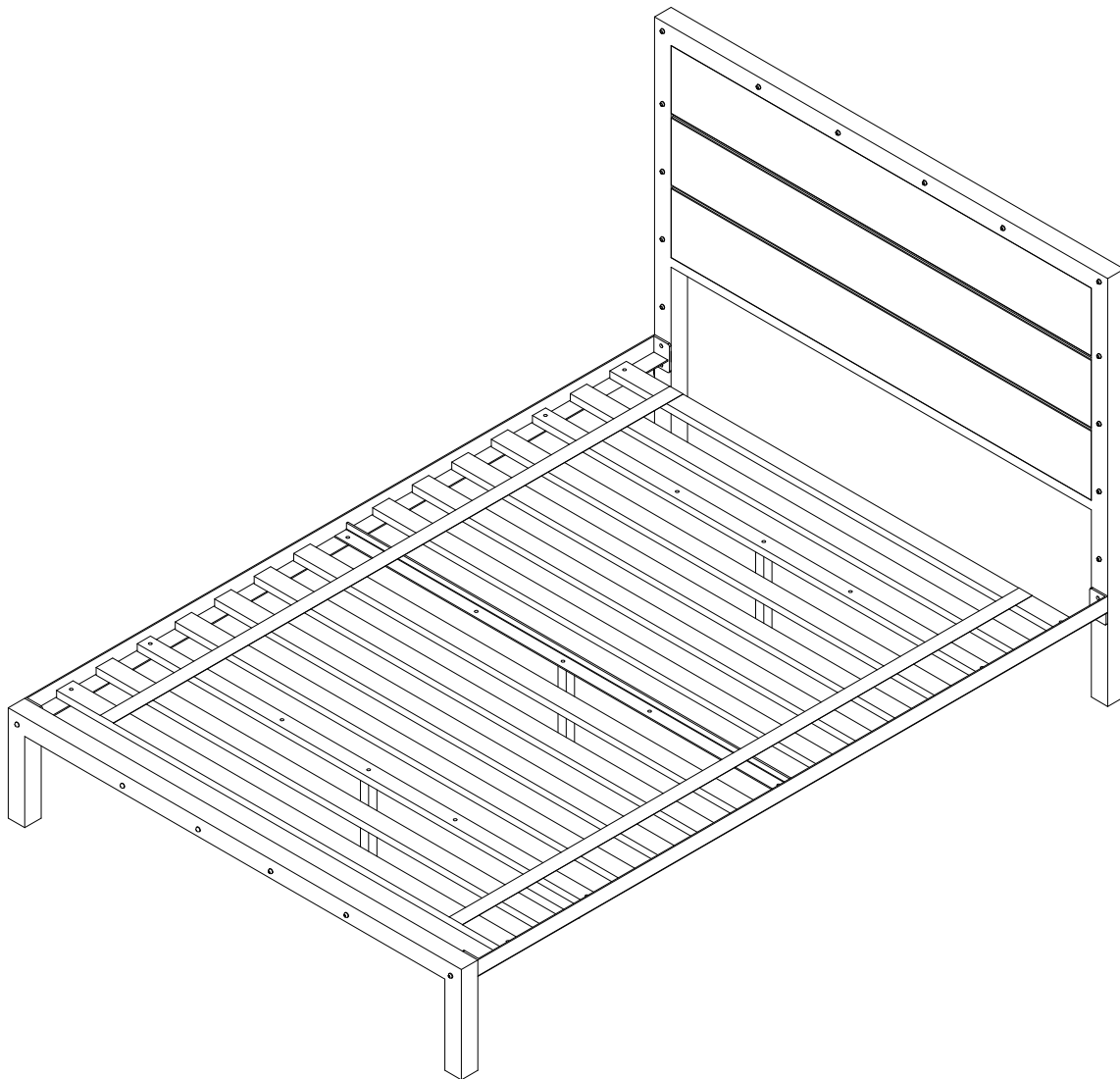




## Metal Ryder Bed-Full



### PRE-ASSEMBLY:

- Please read all instructions before assembling.
- Two or more people are recommended for assembly.
- Remove all parts and hardware from box(s) and lay out on a clear carpeted or scratch free work surface (the shipping box should provide an ideal work surface). Do not dispose of any contents until assembly is complete to avoid accidentally discarding small parts or hardware.
- Use the parts and hardware list(s) to identify, separate, and count all of the pieces included in the hardware pack prior to assembly.
- If using power tools to aid in assembly, please use caution. Power tools can damage hardware and/or components.

**TOOLS REQUIRED:**

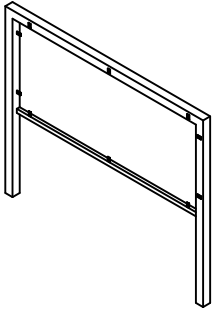


Allen Wrench

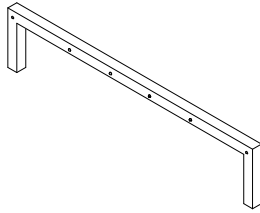


Open Wrench

**PARTS INCLUDED:**



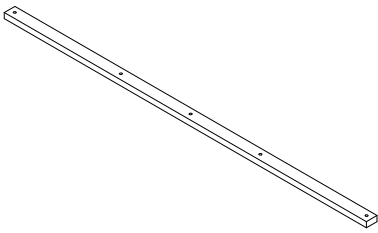
A - Metal Headboard - 1pc



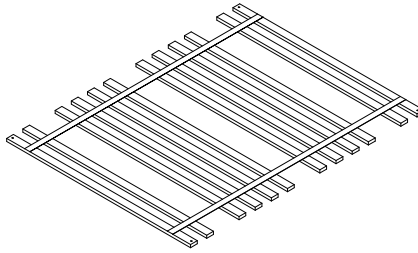
B - Metal Footboard - 1pc



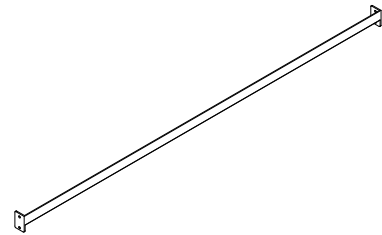
C- Metal Support Leg -3pc



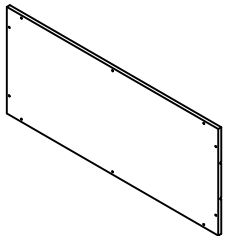
D - Metal Slat - 2pcs



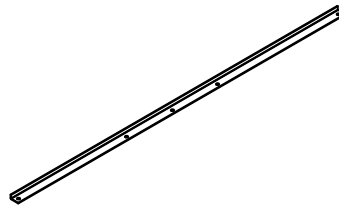
E - Wooden Slats - 1 set



F - Metal Side Rail - 2pcs



G - Wooden Headboard - 1pc



H - Mid Metal Slat - 1pc

**HARDWARE LIST:**



I - Short Bolt  $\text{\O}1/4\text{"}\times5/8\text{"}$  - 8pcs



J - Flat Washer Dia16mm - 31pcs



K - Spring Washer - 8pcs



L - Long Bolt  $\text{\O}1/4\text{"}\times1-1/2\text{"}$  - 10pcs



M - Nut  $1/4\text{"}$  - 10pcs



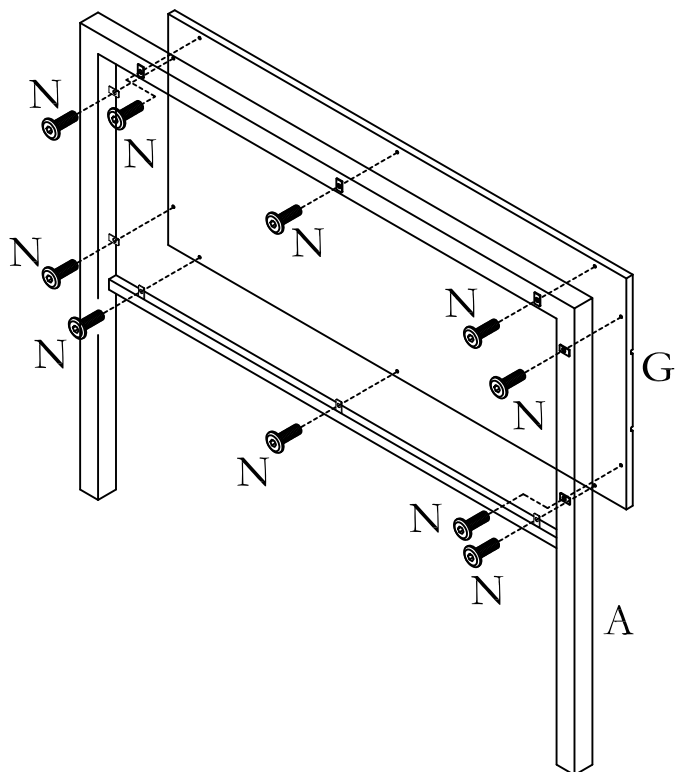
N - Short bolt M6x12mm - 10pcs



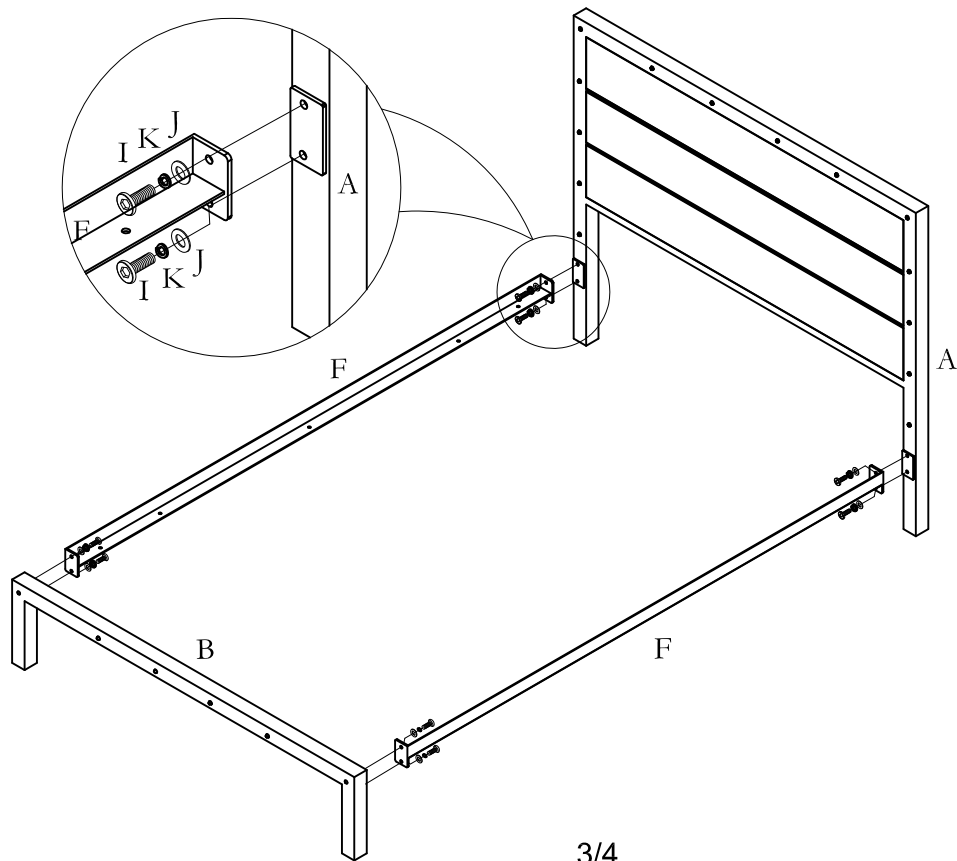
O - Short Bolt  $\text{\O}1/4\text{"}\times7/8\text{"}$  - 3pcs

**ASSEMBLY INSTRUCTIONS:**

**Step 1 - Attaching the Wooden Headboard:** Attach Wooden Headboard (G) to Metal Headboard (A) using short bolt (N), tighten by hand at first. When all bolts are in place, securely tighten with Allen wrench, but do not over tighten the bolts.



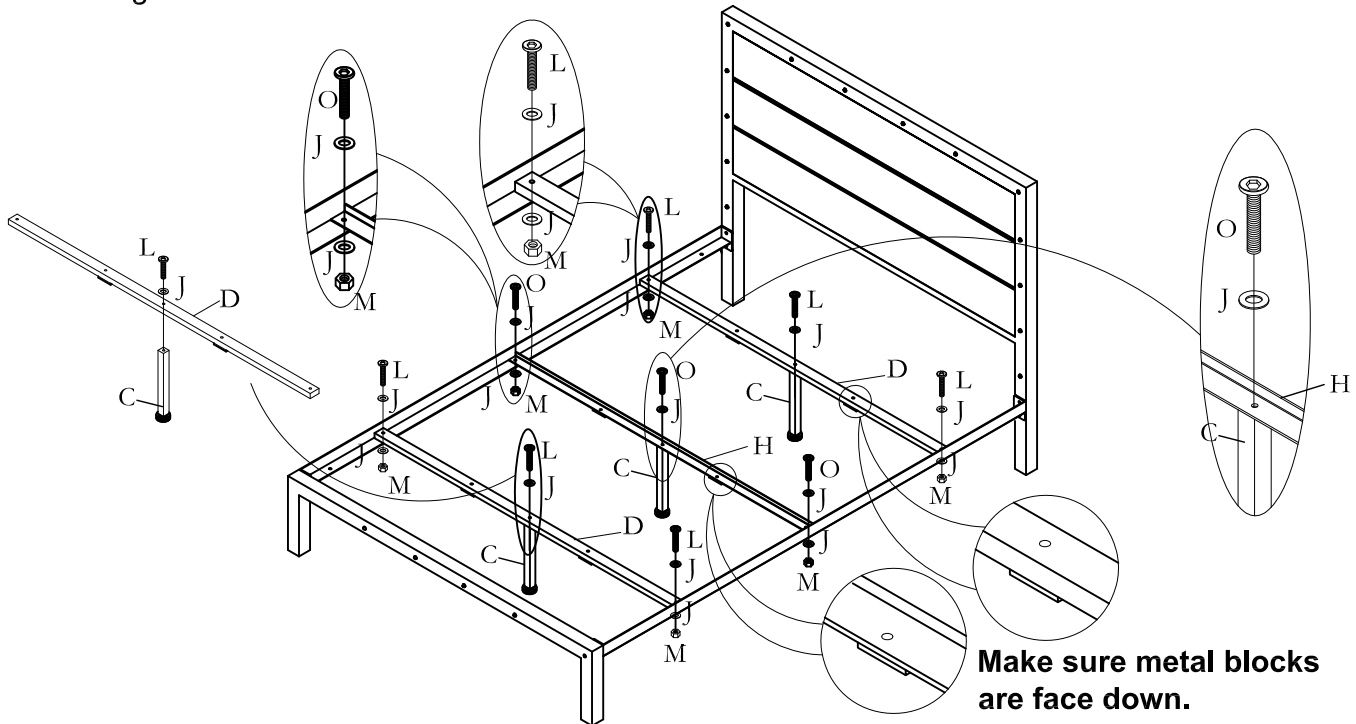
**Step 2 - Attaching the Metal Side Rails to the Head and Footboards:** Attach the Metal Side Rails (F) to Metal Headboard (A) and Metal Footboard (B) using short bolts (I), spring washer (K), and flat washers (J), tighten by hand at first. When all bolts are in place, securely tighten with Allen wrench, but do not over tighten the bolts.



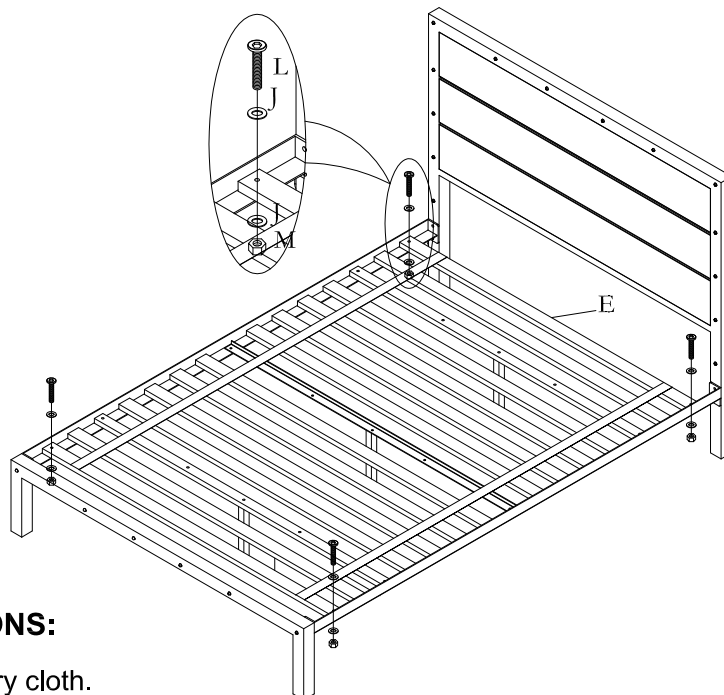
**Step 3 - Attaching the Metal Slats:** Attach Metal Slats (D) to Metal Side Rails (F) using long bolts (L), flat washers (J) and nuts (M), tighten by hand at first. When all bolts are in place, securely tighten with Allen and Open wrench, but do not over tighten the bolts.

Attach metal support legs (C) to the metal slat (H) using short bolt (O) and flat washers (J), tighten by hand at first. When bolt is in place, securely tighten with Allen wrench, but do not over tighten the bolt.

Attach the Mid Metal Slat (H) to Metal Side Rails (F) using short bolts (O), flat washers (J) and nuts (M), tighten by hand at first. When all bolts are in place, securely tighten with Allen and Open wrench, but do not over tighten the bolts.



**Step 4 - Attaching the Wooden Slats:** Attach Wooden Slats (E) to the Metal Side Rails (F) using long bolts (L), flat washers (J) and nuts (M), tighten by hand at first. When all bolts are in place, securely tighten with Allen and Open wrench, but do not over tighten the bolts.



**CARE INSTRUCTIONS:**

- Wipe with a soft, dry cloth.
- To protect the finish, avoid the use of all chemicals and household cleaners.