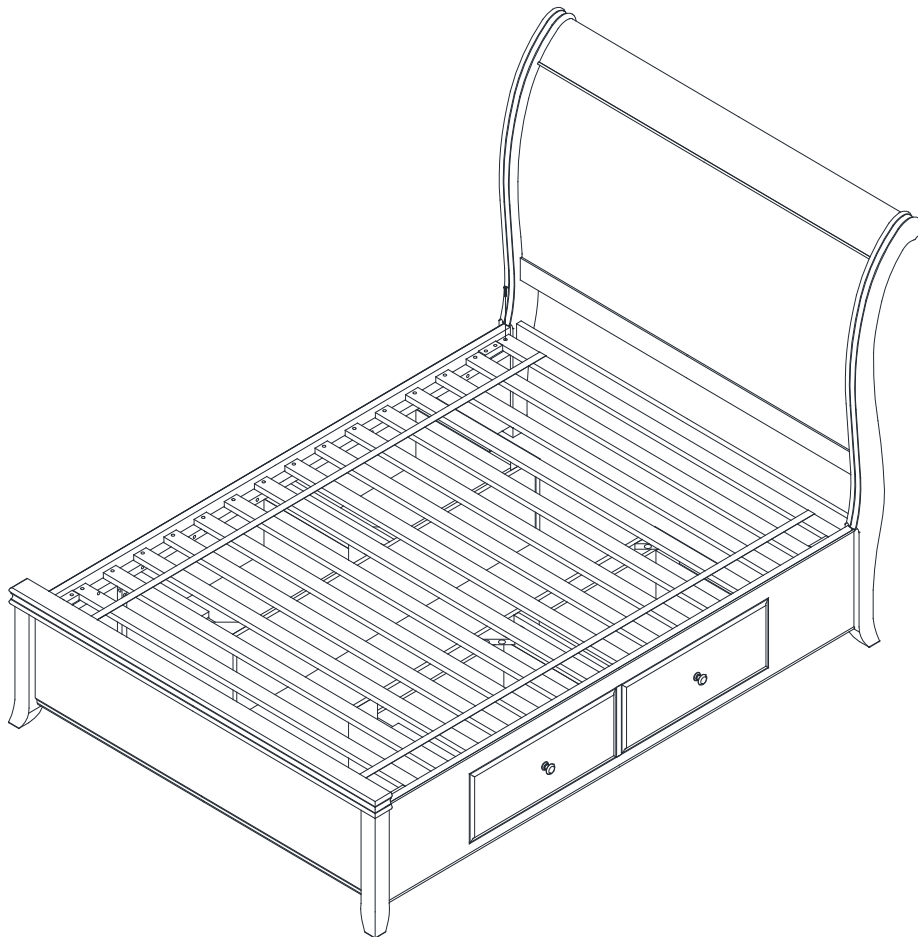




LILAC FULL/TWIN STORAGE SLEIGH BED

ASSEMBLY INSTRUCTIONS



Important Safety Instructions:

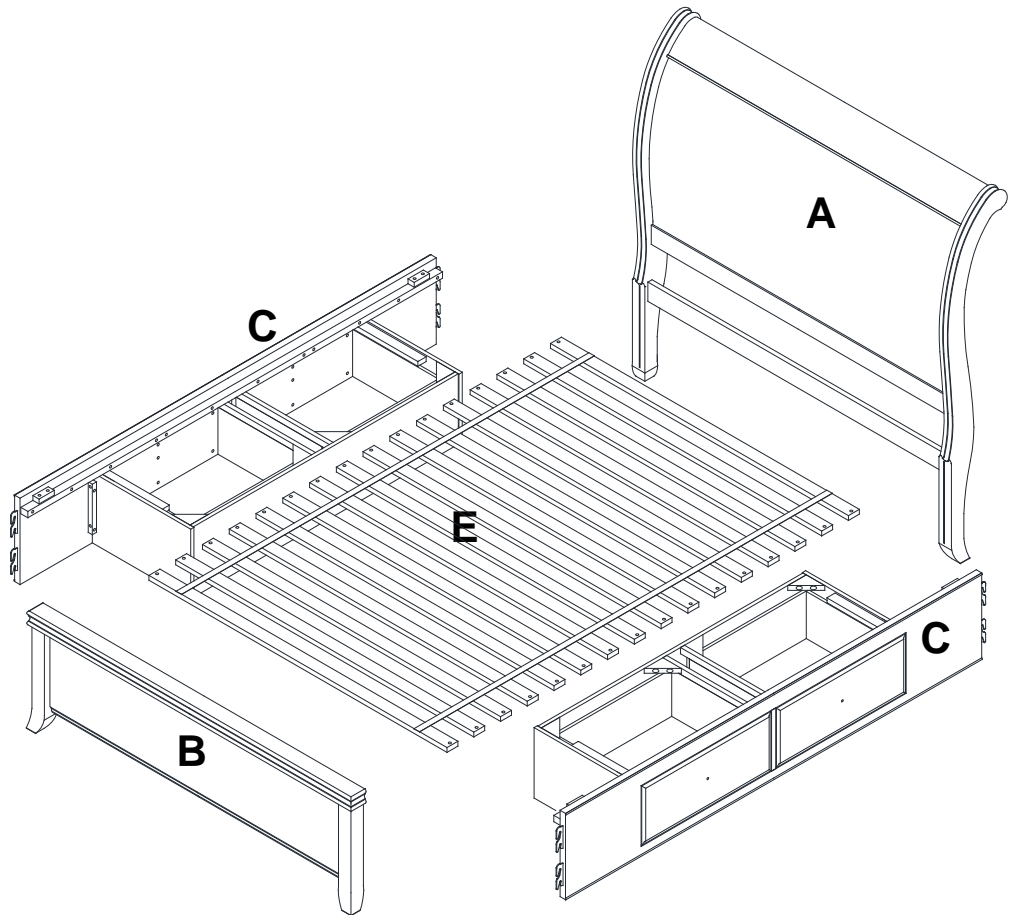
- Please read all instructions carefully before assembling.
- For your safety, assembly by two or more adults is strongly recommended.
- Keep instructions for future use.
- Use only vendor supplied hardware to assemble. Using unauthorized hardware could jeopardize the structural integrity of the item.

Pre-assembly:



- Remove all parts and hardware from the box and lay out on a clear carpeted or scratch-free work surface, as this will avoid damaging parts during assembly. The shipping box provides an ideal work surface.
- Do not dispose of any packaging or contents of the shipping carton until assembly is completed to avoid accidentally discarding small parts or hardware.
- Use the parts and hardware lists below to identify and separate each of the pieces included.
- The illustrations provided allow for easier assembly when used in conjunction with the assembly instructions.
- The use of power tools to aid in assembly is not recommended. Power tools can damage hardware and split wood.

Parts Included:

- (A) Headboard - 1 pc
- (B) Footboard - 1 pc
- (C) Storage side rail - 2 pcs
- (D) Support leg - 8 pcs
- (E) Slat roll - 1 set



Hardware Included:

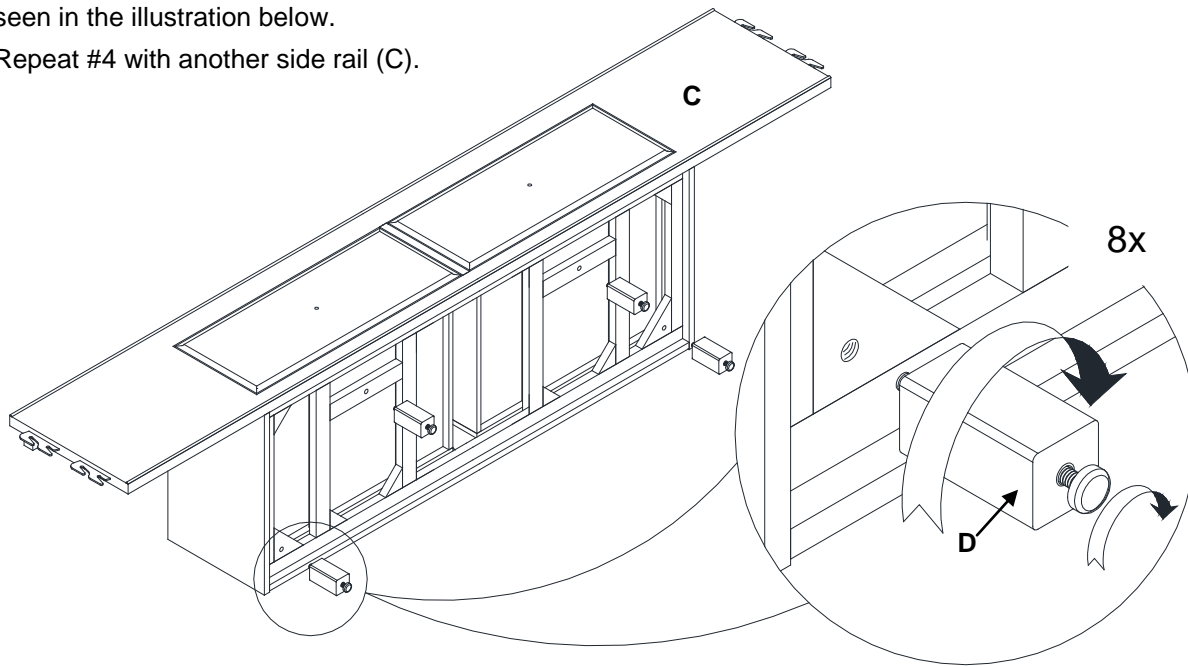
<p>(F) Knob with screw – 4x</p> 	<p>(G) Round head screw 8x25mm – 32x</p> 
---	--

Tools required (not included):

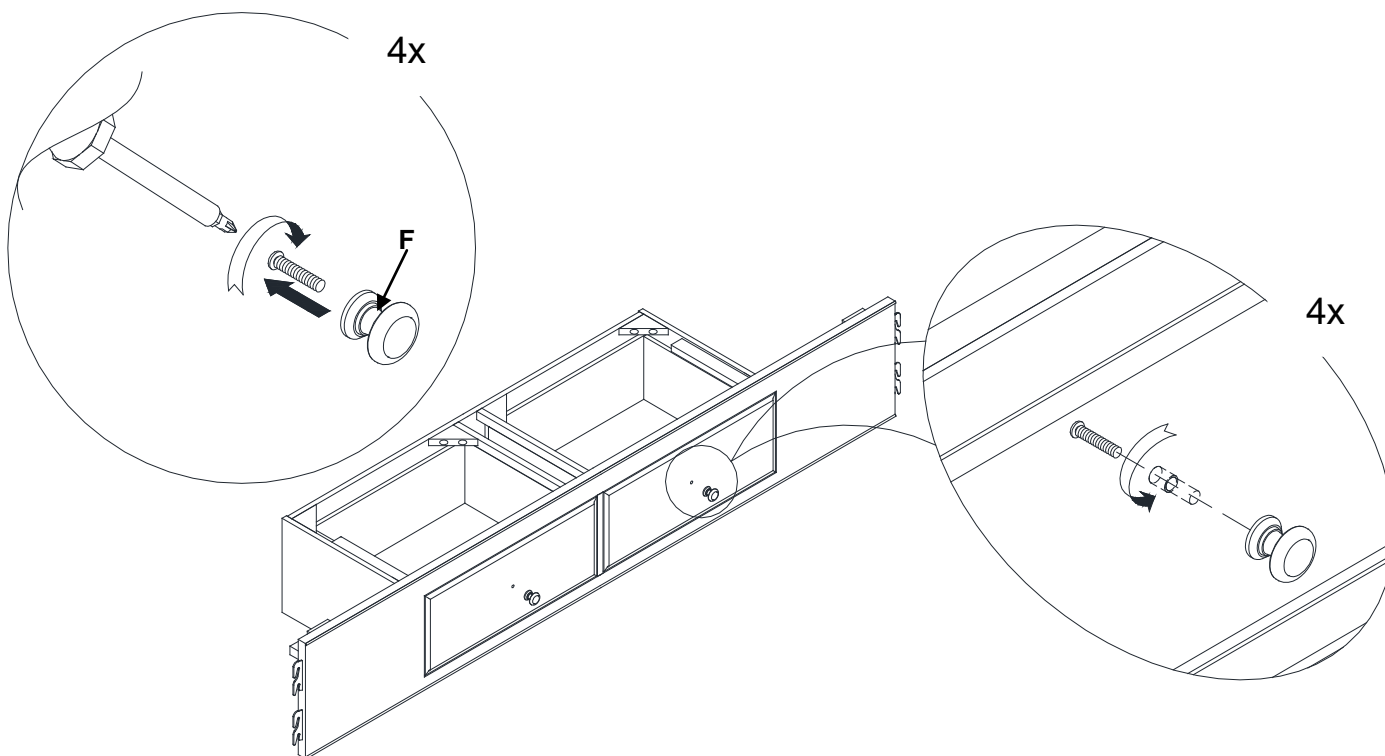


Assembly Instruction Steps:

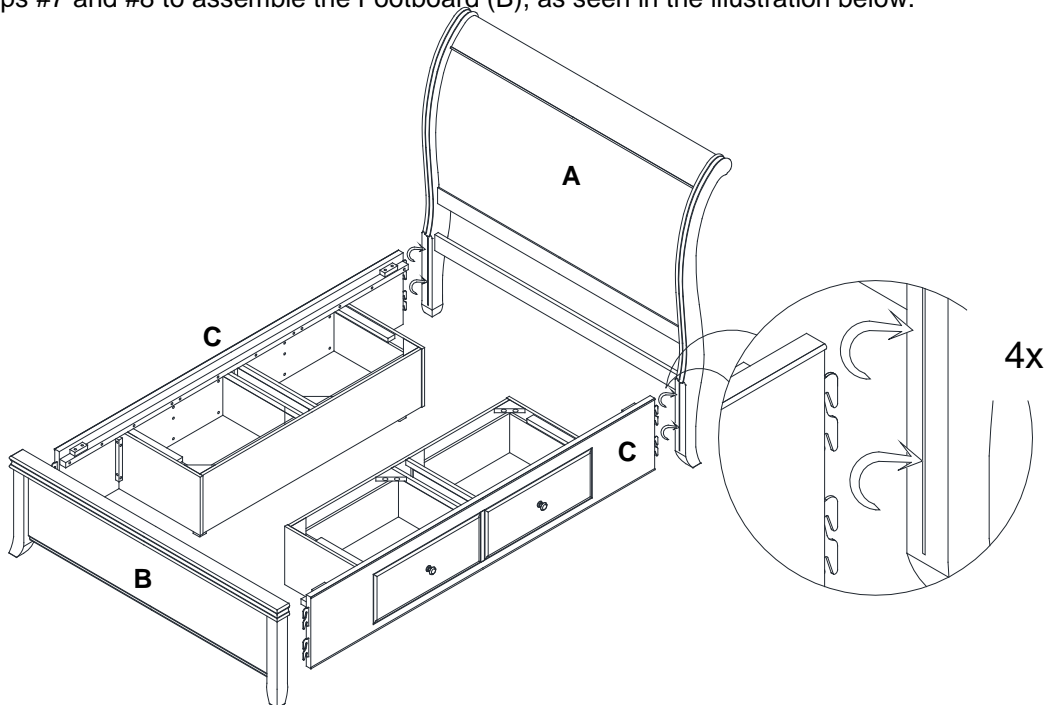
1. Place all parts on a soft, scratch-free surface such as rug or carpet.
2. Before beginning the assembly, determine the desired location of the bed and prepare all parts at this location.
3. Place a Side rail (C) down onto a soft, flat surface, as seen in the illustration below.
4. Thread the 4 support legs-Short (D) into the bottom of the side rail and turn in a clock wise direction until tight, as seen in the illustration below.
5. Repeat #4 with another side rail (C).



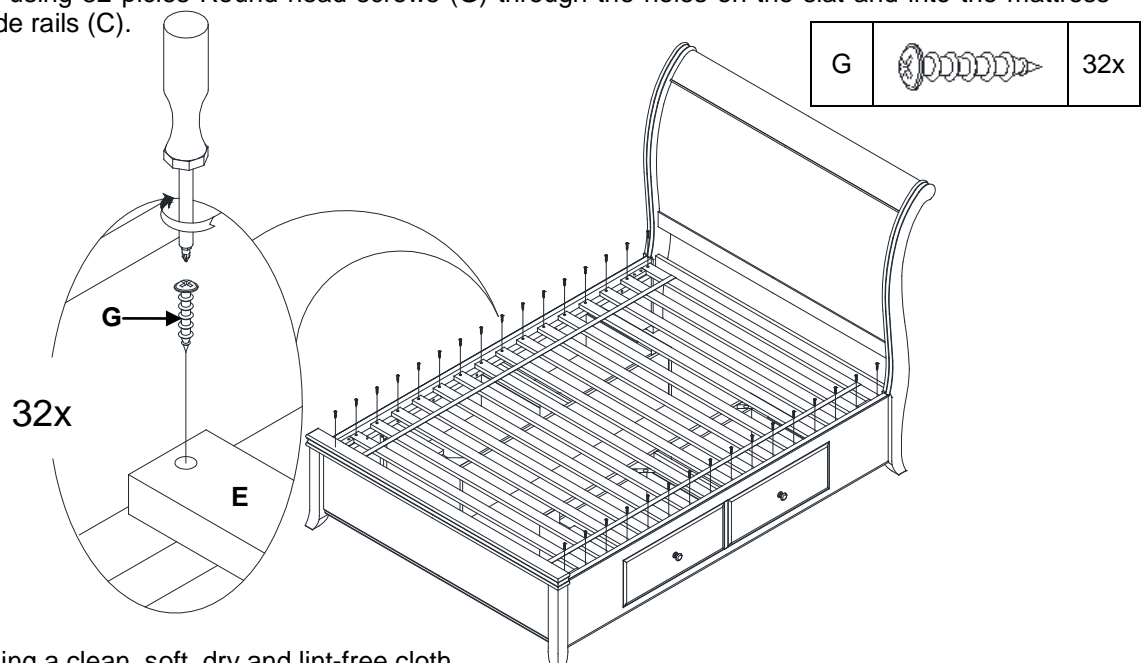
6. Lay the side rail upright.
7. Remove the Screws pre-attached from the Knobs with screw (H).
8. From inside the drawer, insert the Screw (from step # 7) through the pre-drilled hole of the drawer front. Then attach the Knob (F) to the protruding screw from outside the Drawer front, as seen in the illustration below. Tighten the screws with Phillips Head Screwdriver (not provided), but do not over tighten.



9. Determine the desired location of the bed and then hold the assembled Headboard (A) in a vertical position-tilted slight forward.
10. Attach each Side rail (C) to the Headboard (A) by inserting the hook (pre-attached at the ends of the side rail) into the corresponding slots of the Left and right Headboard post (A), as seen below.
11. Push down firmly on the top of the side rails (C) until they sit themselves over the pins inside the post slots, as shown in the illustration below. Be sure the small ledge on each Side rail (C) is facing inward.
12. Repeat steps #7 and #8 to assemble the Footboard (B), as seen in the illustration below.



13. Place the Slats roll (E) on the opening, in-between the Side rails (C), as seen below. Make sure the ends of the slats rest upon the small ledge inside of the side rails (C).
14. Secure each slat using 32 pieces Round head screws (G) through the holes on the slat and into the mattress support on the side rails (C).



Care Instructions:

- Dust often using a clean, soft, dry and lint-free cloth.
- Blot spills immediately and wipe with a clean, damp, cloth.
- We do not recommend the use of chemical cleansers, abrasives or furniture polish on our lacquered finish.
- Hardware may loosen over time. Periodically check to make sure all connections are tight.
Re-tighten if necessary.

www.pbteen.com

Date: 2014 – Nov-18

Rev:

Page 4 of 4