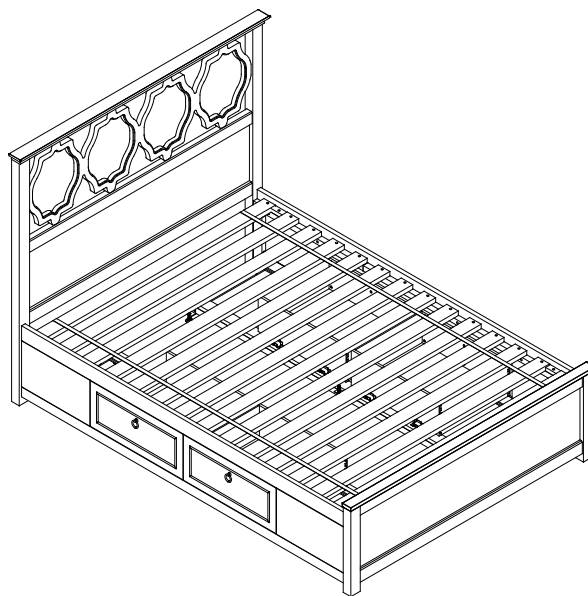


## Elsie Storage Bed Twin/Full

### ASSEMBLY INSTRUCTION



#### **Important safety instructions:**

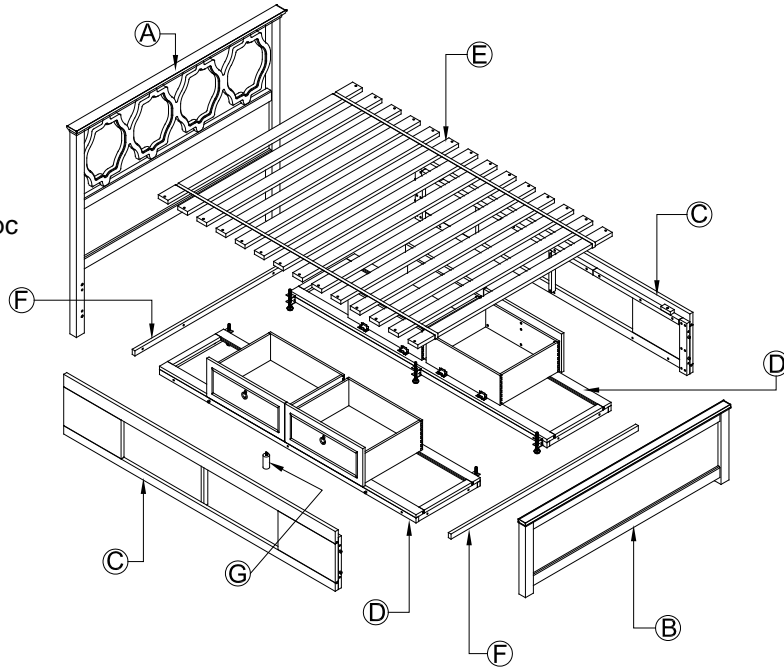
- Please read all instruction carefully before assembling this desk.
- For your safety, assembly by two or more adults is strongly recommended.
- Keep these instructions for future use.
- Use only vendor-supplied hardware to assembly this item. Using unauthorized hardware could jeopardize the structural integrity of the item.

#### **Pre- assembly:**


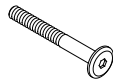
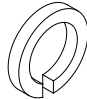

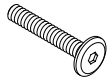
- Remove all parts and hardware from the box and place them on a carpeted or scratch-free work surface. The shipping box provides an ideal work surface.
- To avoid accidentally discarding small parts or hardware, please do not dispose of any contents until assembly is complete.
- Two people are recommended for your safety and ease of assembly.
- Prior to starting the assembly, use the parts and hardware lists to identify and separate each of the pieces included.
- The illustrations provided allow for easier assembly when used in conjunction with the assembly instructions.
- Note: Do not fully tighten any of the bolts until all parts are in place. Failure to follow these instructions may cause the bolts to misalign during assembly.
- Please use caution if using power tools to aid in assembly. Power tools can damage the hardware or split the wood.

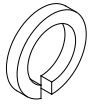

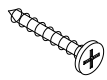

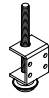
**PARTS INCLUDED:**

- A – Headboard (x1)
- B – Footboard (x1)
- C – Side Panels – 2 pc
- D – Drawer Boxes with Frame – 2 pc
- E – Slats – 1 pc
- F – Supporting Stretcher – 2 pc
- G – Center Support Legs – (x2)



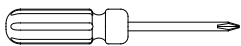
**HARDWARE INCLUDED:**

H – Ball Tip Allen Key	I – Long Allen Bolt	J – Spring Washer	K – Flat Washer	L – Short Allen Bolt
				
4x95x30mm	5/16"x63xΦ15mm	5/16"x13x1.5mm	5/16"x15x1.5mm	1/4"x32xΦ13mm
1pc	8pcs	8pcs	8pcs	14pcs

M – Spring Washer	N – Flat Washer	O – Long Philip Headscrew	P – Short Philip Headscrew	Q - Leveler
				
1/4"x10x1.5mm	1/4"x12x1.5mm	8x30mm	8x17mm	3/8"x109x30mm
14pcs	14pcs	28pcs	24pcs	6pcs

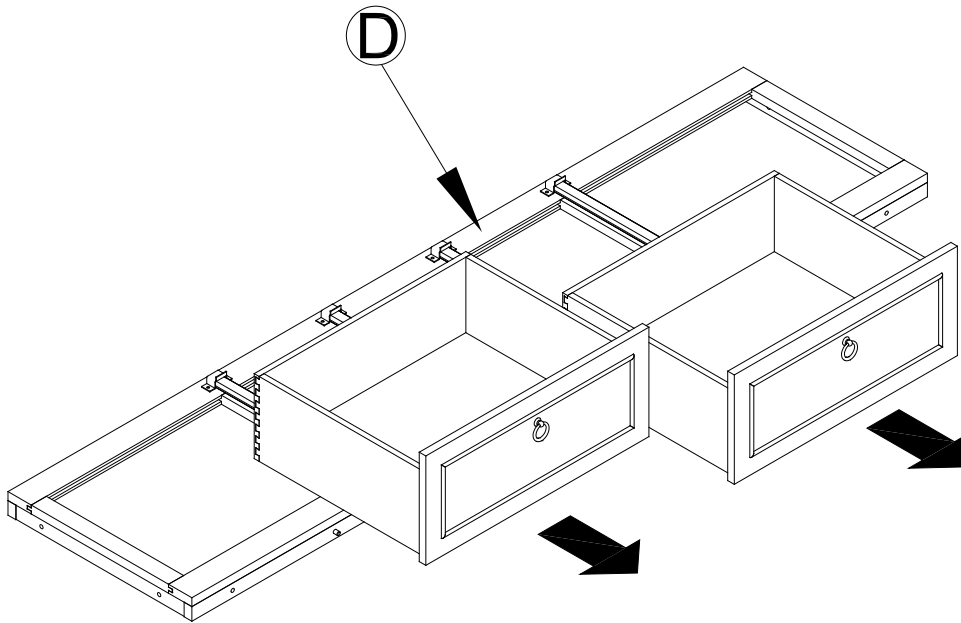
**TOOLS REQUIRED (but not included):**

Phillip Head Screwdriver

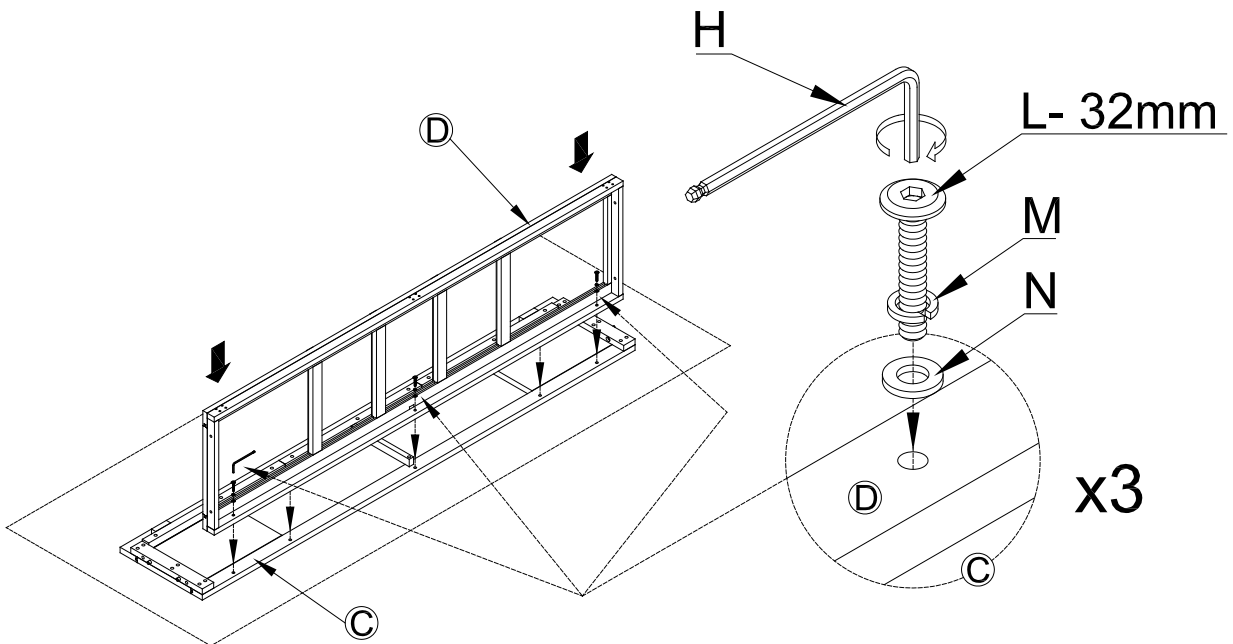


**ASSEMBLY INSTRUCTIONS:**

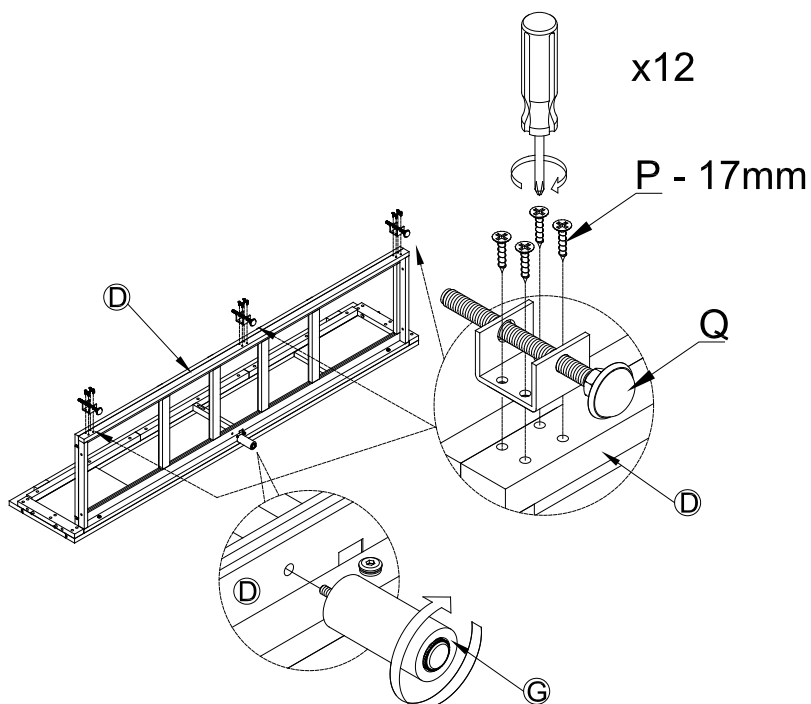
1. Only remove the Drawer Boxes away from the Drawer Boxes with Frame (D) in the arrow direction as shown below.



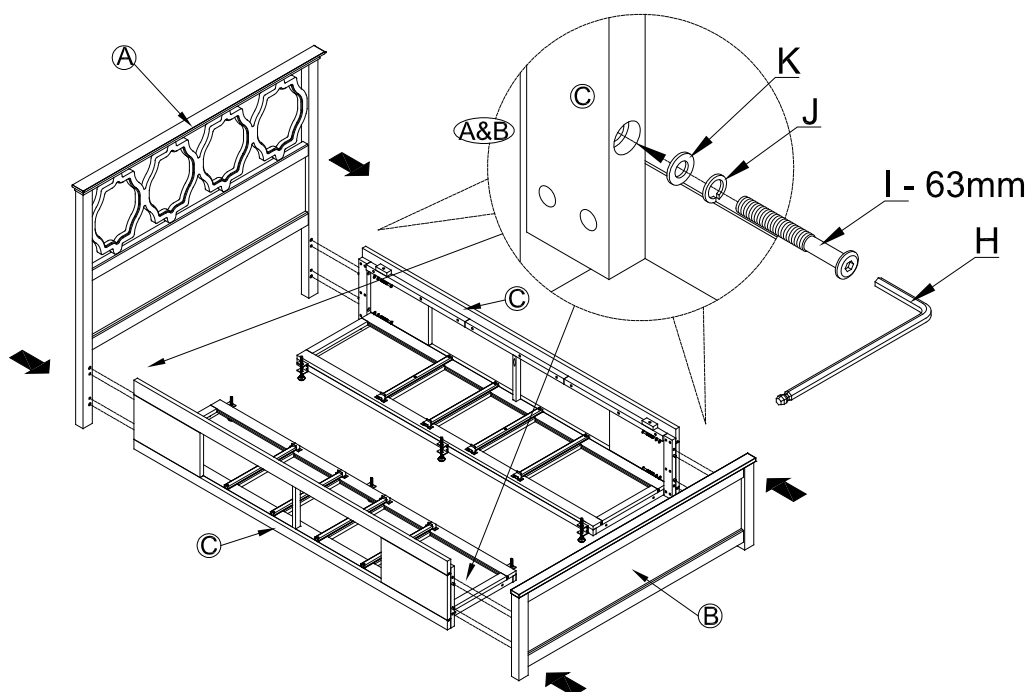
2. Attach the Drawer Boxes (D) bottom panels to the Siderails (C) as shown below. Place the Flat Washer (N), Spring Washer (M) and followed by the Short Allen Bolt (L) – 3sets; into the pre-drilled holes of the Drawer Boxes (D) bottom panel into the Siderails (C) and tightening using the Ball Tip Allen Key (H) as shown below.



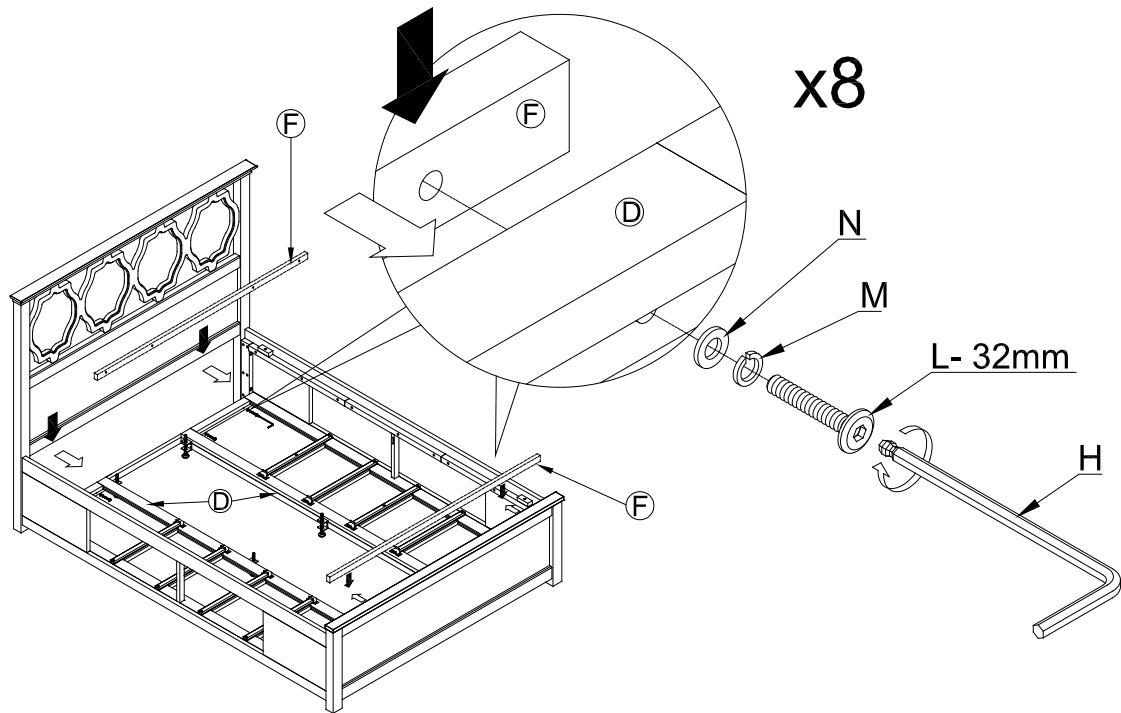
- Attach the Levelers (Q) to the edge of the Drawer Boxes (D) panel and tighten it by inserting Short Philip Headscrew (P) through the pre-drilled holes on the Leveler (Q). Insert the Center Support Legs (G) into the bottom pre-drilled hole of the Drawer Boxes (D) panels and tighten it by turning in clockwise direction as shown below. Adjust Levelers (Q) until they sit level with the Side rails (C).



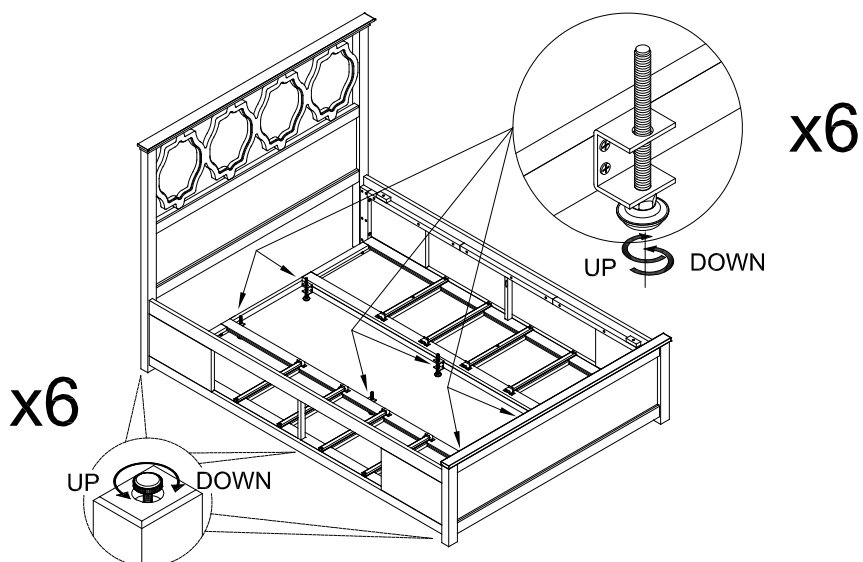
- Hold Headboard (A) in a vertical position tilted slightly forward.
- Attach each Side Rails (C) to the Headboard legs by inserting the Long Allen Bolt (I) with Spring Washer (J) and Flat Washer (K) the at pre-drilled of the inner edge of the Side Rails (C) into the corresponding holes on the Headboard (A) legs and tighten by using the Ball Tip Allen Key (H) as shown below. Repeat the same for the Footboard (B) as shown in the illustration below.



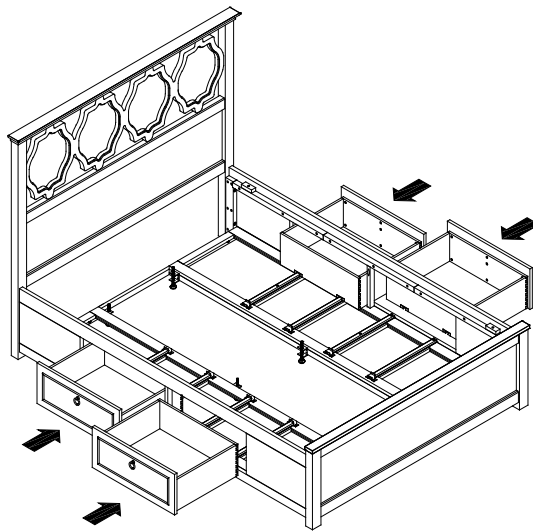
6. Attach the Supporting Stretcher (F) to both side edge of the Drawer Boxes (D) panels and insert the Flat Washer (N), Spring Washer (M) and followed by the Short Allen Bolt (L) into the pre-drilled holes of the inner edge of the Drawer Boxes (D) panels as shown below. Tighten by using the Ball Yip Allen Key as shown below (H).



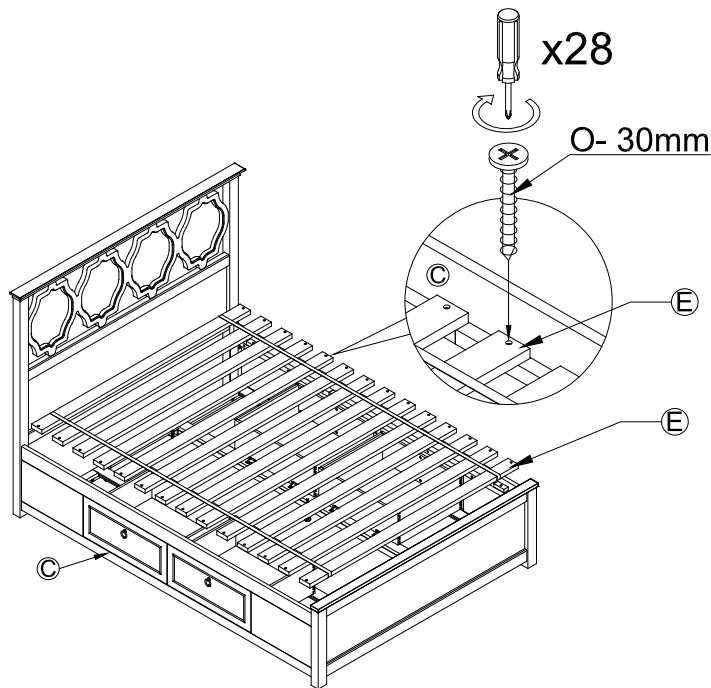
7. Adjust the levelers found underneath the Headboard (A), Footboard (B), Center Support Legs (G) and Levelers (Q) until the sit level as shown below.



8. Insert the Drawer Boxes into the original places as Drawer Boxes with Frame (D) as shown below.



9. Lay the Slats (E) on top as shown below. Secure the Slats (E) by inserting the the Long Philip Headscrew (O) into the pre-drilled holes of each Slats (E). Tighten using the Philip Screwdriver (Not Included).



10. Assembly is completed

**CARE INSTRUCTIONS:**

- Avoid direct sunlight and excessive temperatures.
- Dust often using a clean, soft, dry and lint-free cloth.
- Waxing is not recommended on lacquered finish.
- Hardware should be checked periodically for tightness.