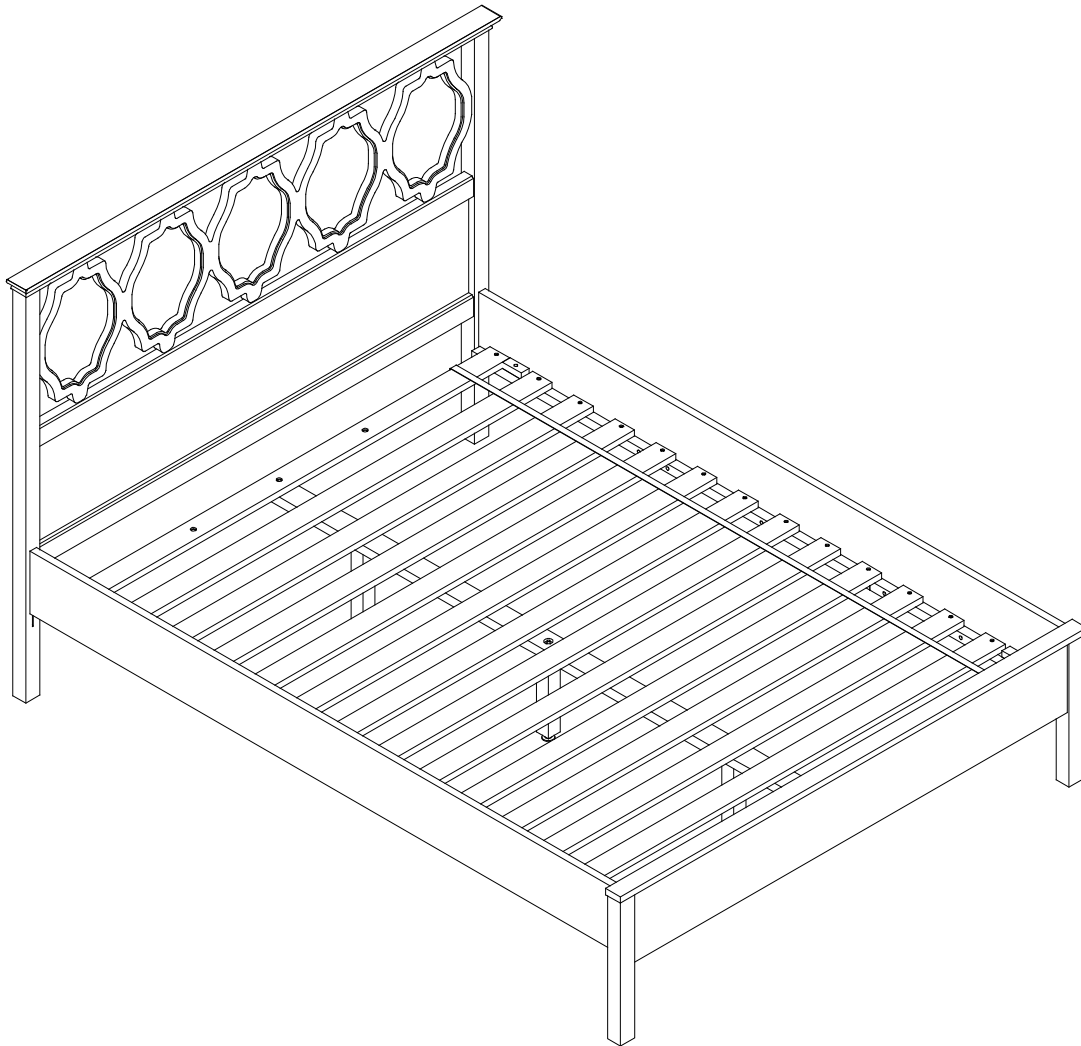


ELSIE BED QUEEN

ASSEMBLY INSTRUCTION



IMPORTANT SAFETY INSTRUCTIONS:

- Please read all instructions carefully before assembling this bed.
- For your safety, assembly by two or more adults is strongly recommended.
- Keep these instructions for future use.
- Use only vendor-supplied hardware to assembly this item. Using unauthorized hardware could jeopardize the structural integrity of the item.

PRE- ASSEMBLY:

- Remove all parts and hardware from the box. Place them on a carpeted or scratch-free work surface, as this will avoid damaging parts. The shipping box provides an ideal work surface.
- To avoid accidentally discarding small parts or hardware, please do not dispose of any contents until assembly is complete.
- Two people are recommended for your safety and ease of assembly.
- Prior to starting this assembly, use the parts and hardware lists to identify and separate each of the pieces included.
- The illustrations provided allow for easier assembly when used in conjunction with the assembly instructions.
- Note: Do not fully tighten any of the bolts until all parts are in place. Failure to follow these instructions may cause the bolts to misalign during assembly.
- Please use caution if using power tools to aid in assembly. Power tools can damage the hardware or split the wood.

PARTS INCLUDED:

A – Headboard (x1)

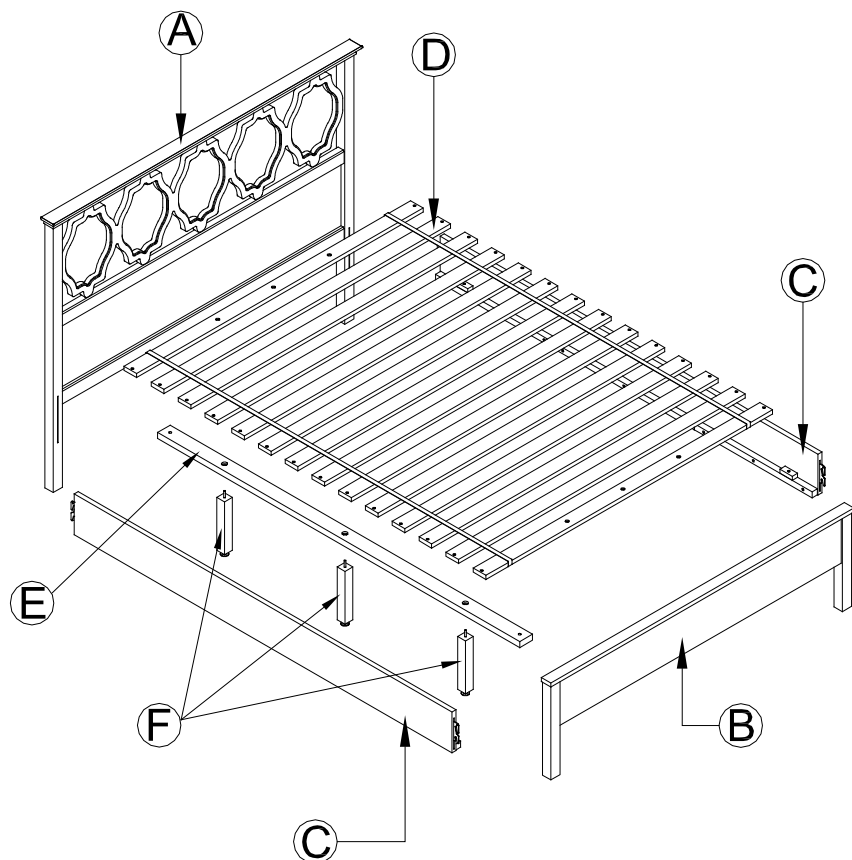
B – Footboard (x1)

C – Side Rail (x2)

D – Slat Roll (x1)

E – Support Rail (x1)

F – Support Legs (x3)



HARDWARE INCLUDED:


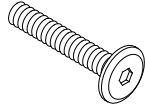
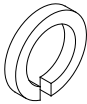

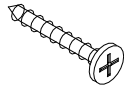
G – Ball Tip Allen Key

H – Hex Bolt

I – Spring Washer

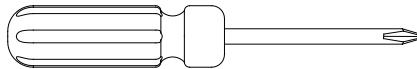
J – Flat Washer

K-Phillips Head Screw

G	H	I	J	K
				
(included)	1/4"x38x13mm	1/4"x10x1.5mm	1/4"x12x1.5mm	#8x30mm
1 pc	2 pcs	2 pcs	2 pcs	28 pcs

TOOLS REQUIRED (but not included):

Phillips Head Screwdriver

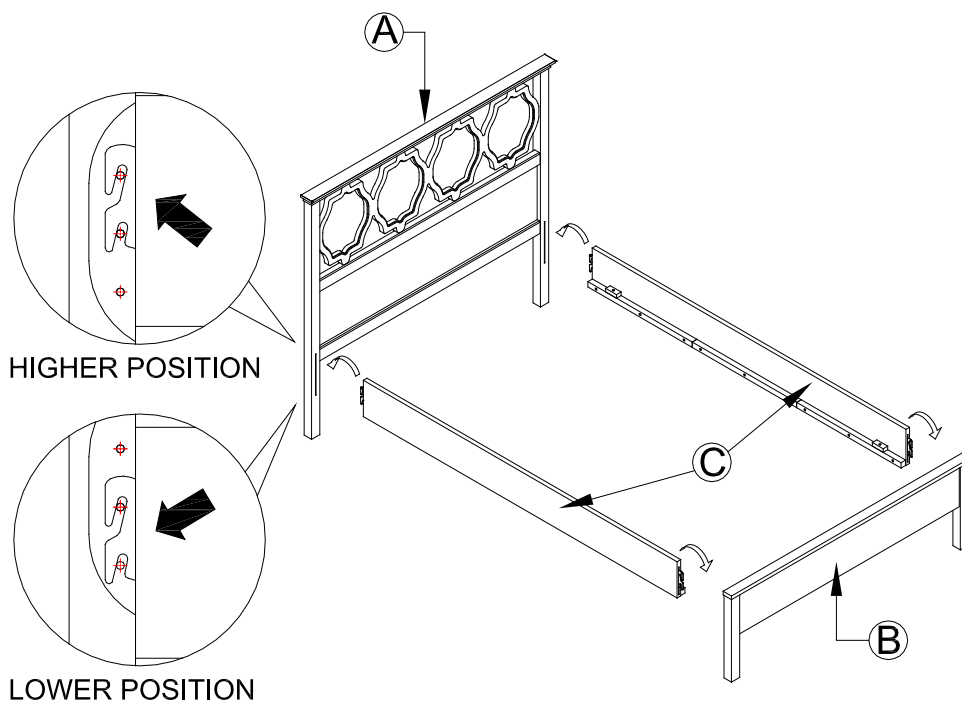


ASSEMBLY INSTRUCTION STEPS:

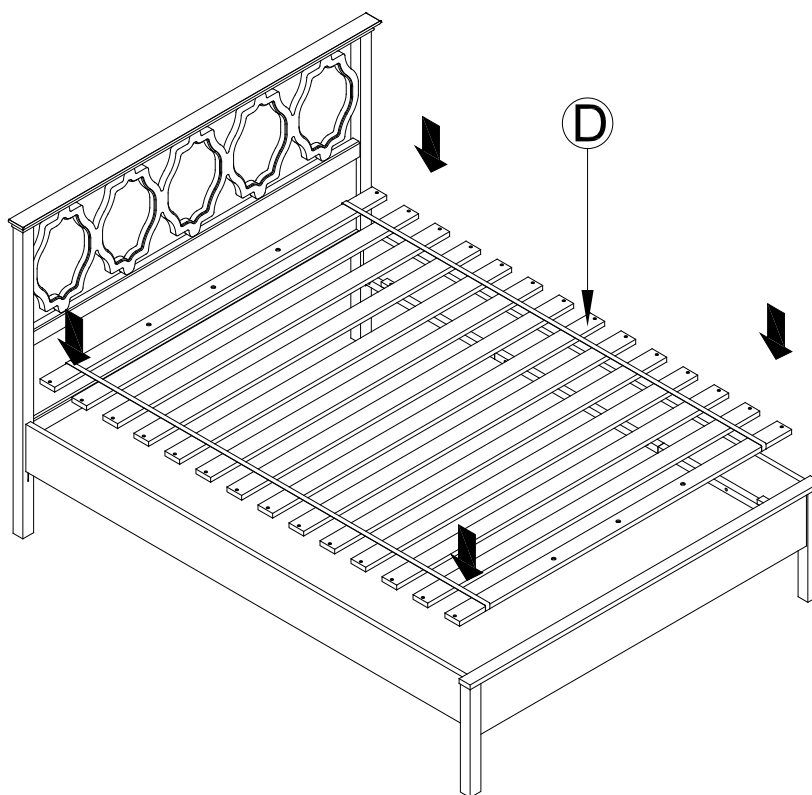
1. Determine the desired location of bed.
2. Hold Headboard (A) in a vertical position tilted slightly forward.
3. Attach each Side Rail (C) to the Headboard Legs by inserting the pre-fixed hooks at the ends of the Side Rail (C) into the corresponding slots on the Headboard legs. Push down firmly on the top of the Side Rails (C), until they sit themselves over the pins inside the leg slots, as shown in the illustration below. Be sure the small ledge on each Side Rail (C) is facing inward.

NOTE: There are two levels for the Side Rails (C). If you plan to use a trundle, please use the higher setting.

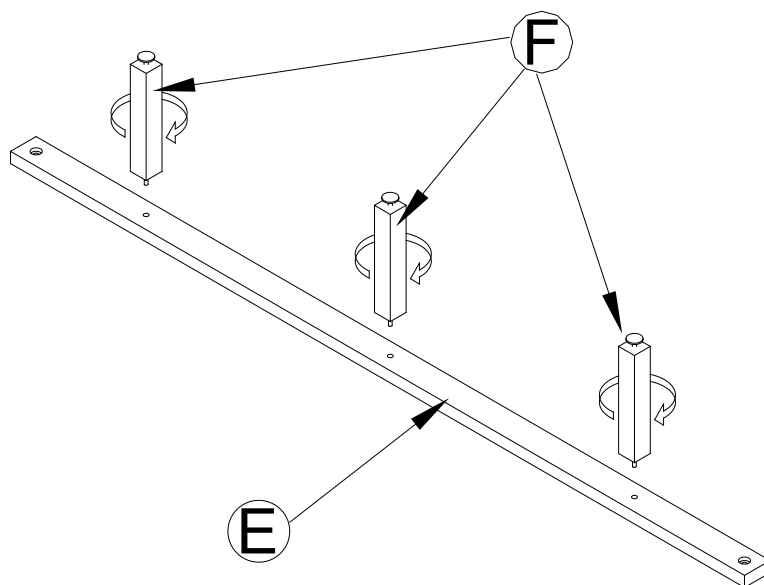
4. Repeat Step #3 to assemble the Footboard (B).






5. Place the Slats Roll (D) on the opening between the Side Rails (C). Make sure the ends of the slats rest upon the small ledge inside of the Side Rails (C).

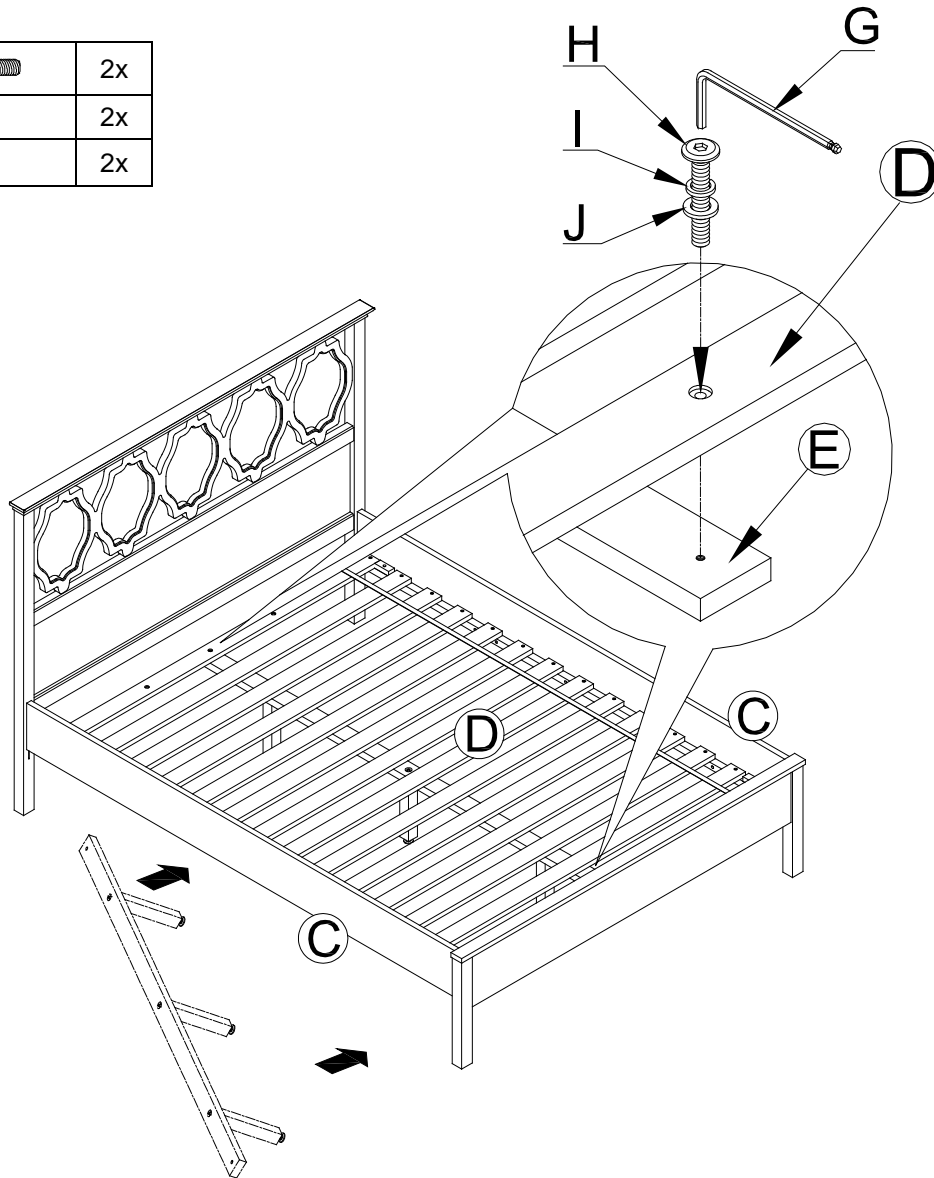


6. Thread the 3 Support Legs (F) into the pre-drilled holes on Supporting Rail (E), as seen in the illustration below.

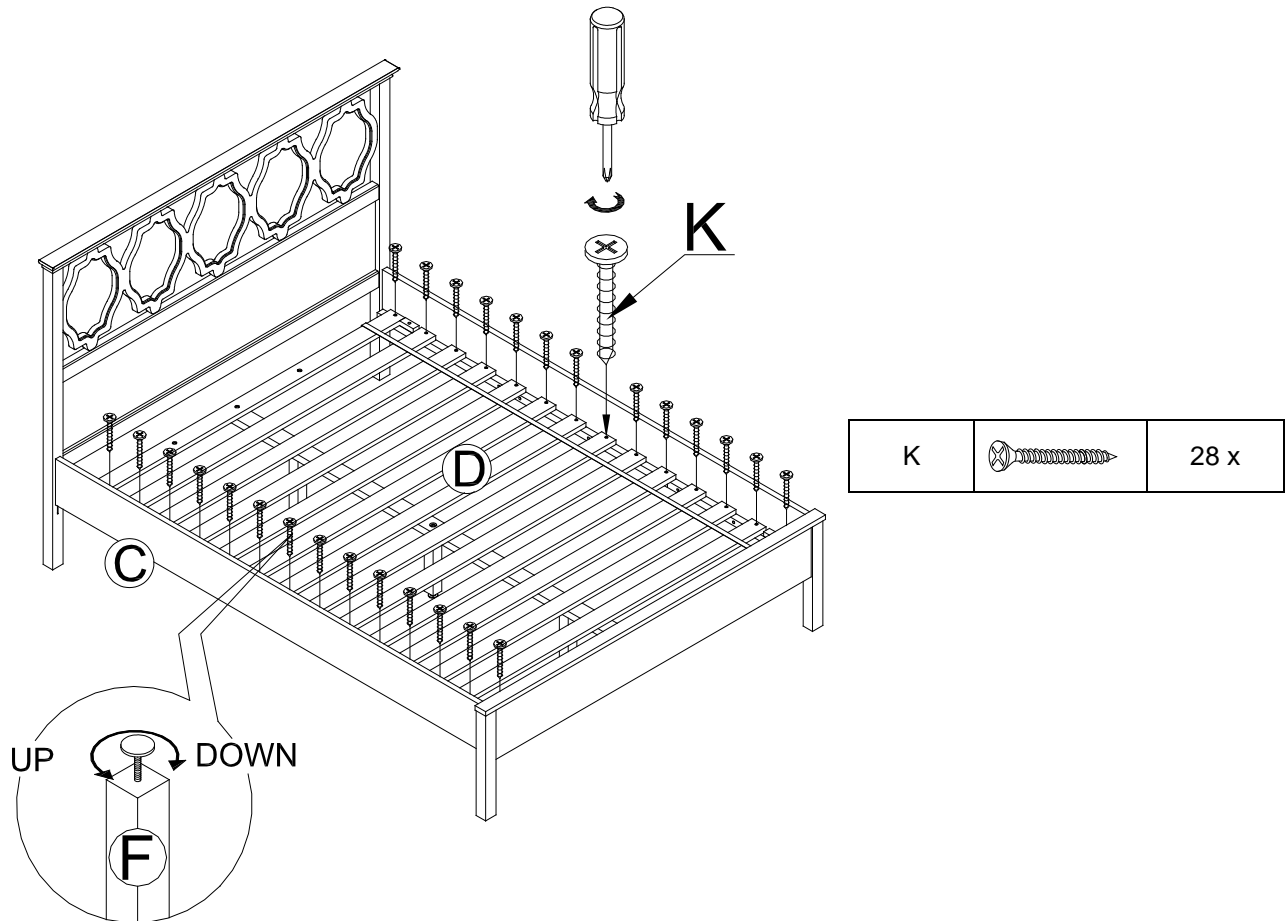


7. Attach this assembled Supporting Rail (E) and Support Leg (F) to the underside of the Slats Roll (D), as seen in the illustration below.
8. Connect the 1st slat to the end of Supporting Rail (E) by inserting 1 set of: Hex Bolt (H), Spring Washer (I), and Flat Washer(J) through the pre-drilled hole of the 1st slat and into the pre-drilled hole on the Supporting Rail (E).
9. Tighten with Allen Key (G).
10. Repeat at the other end, as seen below.

H		2x
I		2x
J		2x



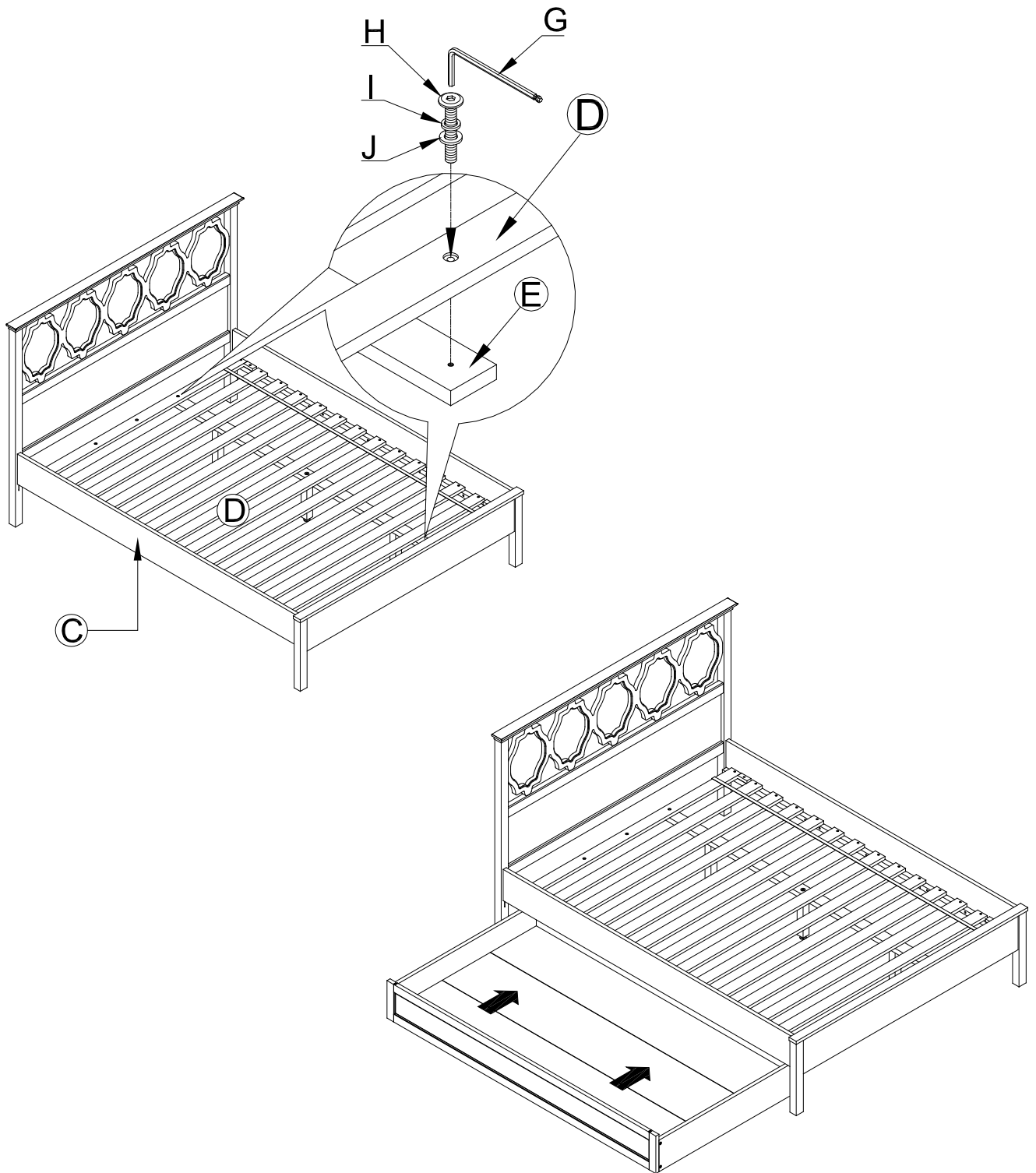
11. Fasten each slat to the Side Rails (C) with a Philips Head Screwdriver and 28 Philips Screws (K), as shown in the illustration below.
12. To keep the whole bed level, adjust the levelers underneath each Support Leg (F), as seen in the illustration below.
13. Periodically tighten all connections.



NOTE: Three positions for Supporting Rail (E) and Support Legs (F) are provided. The center positions are used when not using a trundle.

If using a trundle, please unthread the Supporting Rail (E) and Support Legs (F) from the center position and then re-assemble to the pre-drilled holes on the opposite side of the bed to where you desire the trundle to be used, as seen in the illustration below. This provides enough room for the trundle to not hit the Support Legs (F).

Adjust the recessed levelers located at the bottom of each Support Leg (F), turning the levelers until adequate contact is made with the floor.



CARE INSTRUCTIONS:

- Dust often using a clean, soft, dry, and lint-free cloth.
- Blot spills immediately and wipe with a clean, damp cloth.
- We do not recommend the use of chemical cleansers, abrasives, or furniture polish on our lacquered finish.
- Hardware may loosen over time. Periodically check to make sure all connections are tight.
Re-tighten if necessary.