

COSTA STORAGE BED

Important Safety Instructions:

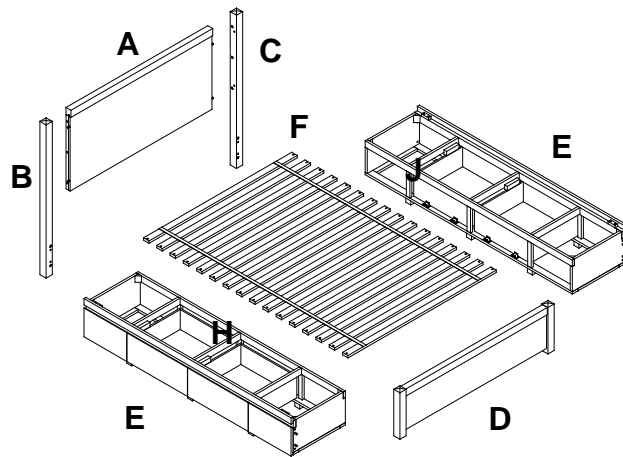
- Please read all instructions carefully before assembling.
- For your safety, assembly by two or more adults is strongly recommended.
- Keep instructions for future use.
- Use only vendor supplied hardware to assemble. Using unauthorized hardware could jeopardize the structural integrity of the item.

Pre-assembly:



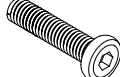
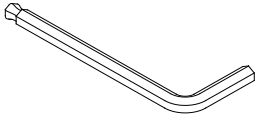
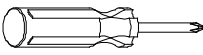
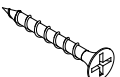
- Remove all parts and hardware from the box and lay out on a clear carpeted or scratch-free work surface, as this will avoid damaging parts during assembly. The shipping box provides an ideal work surface.
- Do not dispose of any packaging or contents of the shipping carton until assembly is completed to avoid accidentally discarding small parts or hardware.
- Use the parts and hardware lists below to identify and separate each of the pieces included.
- The illustrations provided allow for easier assembly when used in conjunction with the assembly instructions.
- The use of power tools to aid in assembly is not recommended. Power tools can damage hardware and split wood.

Parts Included:

A	Headboard	1x
B	Left headboard post	1x
C	Right headboard post	1x
D	Footboard	1x
E	Side Storage	2x
F	Slat Roll	1x

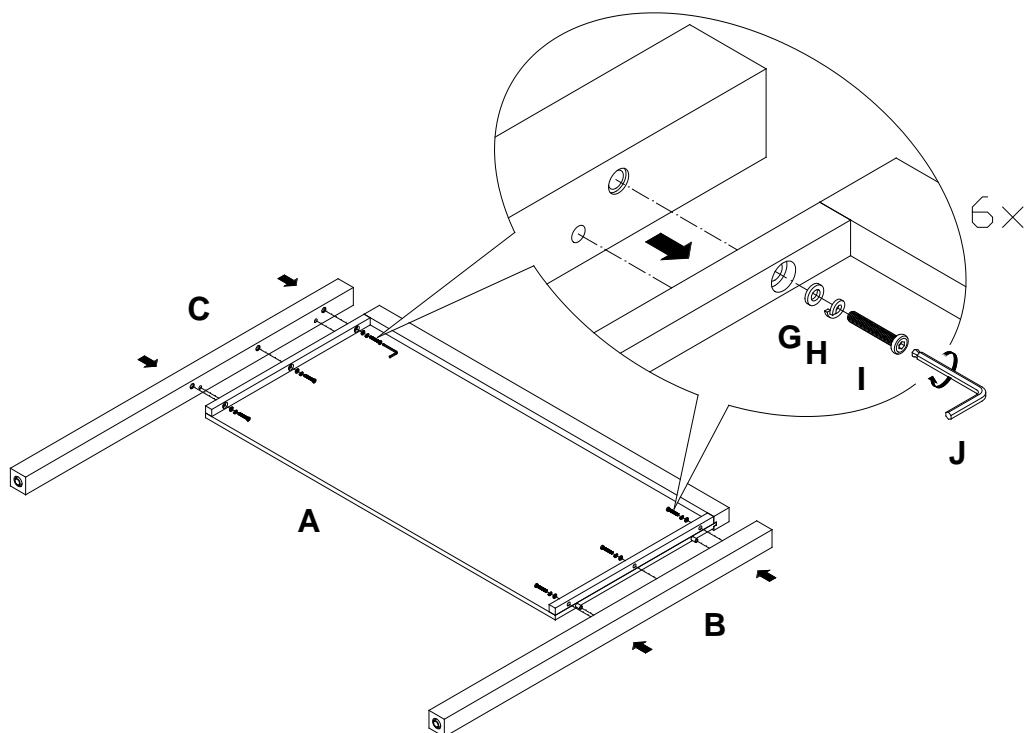


Hardware Included:

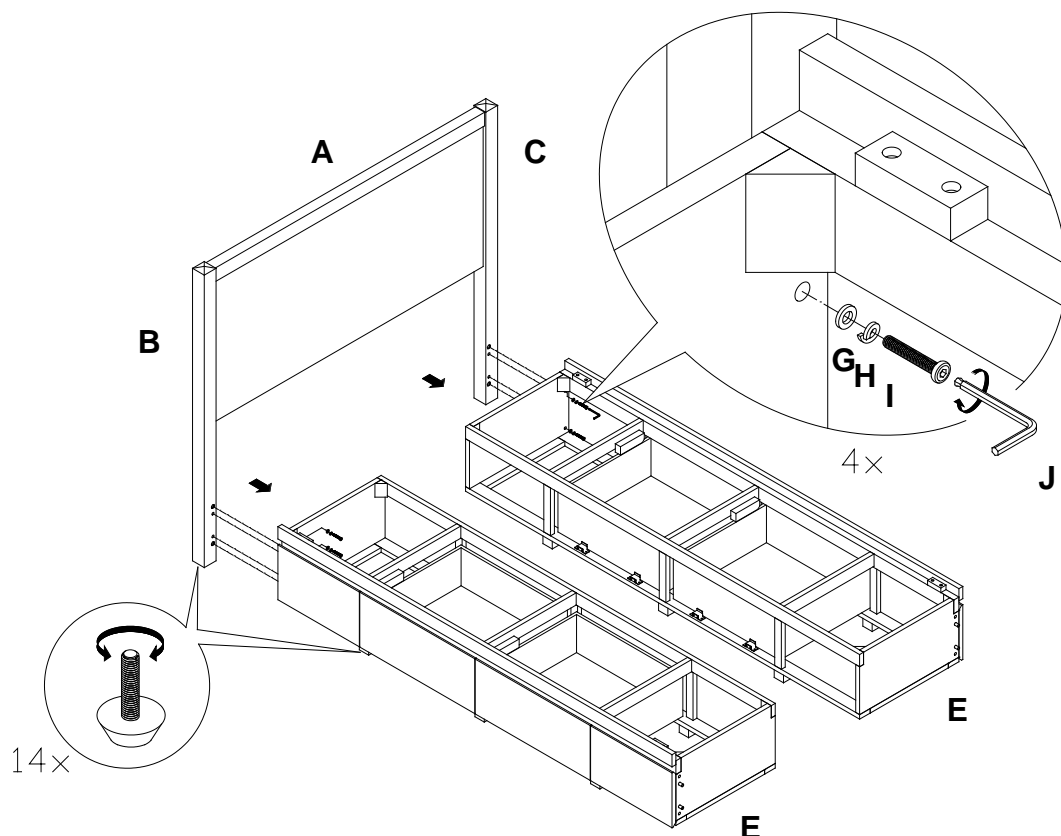
<p>(G)-Flat washer</p> 	<p>(H) - Spring washer</p> 	<p>(I) - Short Allen bolt</p>  <p>M8x40 mm</p>	<p>(J) - Allen key</p> 
<p>14x</p>	<p>14x</p>	<p>10x</p>	<p>1x</p>
<p>Tools Required (Not Included): Phillip Head Screwdriver</p> 			
<p>(K)-Wood Screw</p>  <p>4x30 mm</p> <p>32x</p>			

Assembly Instruction Steps:

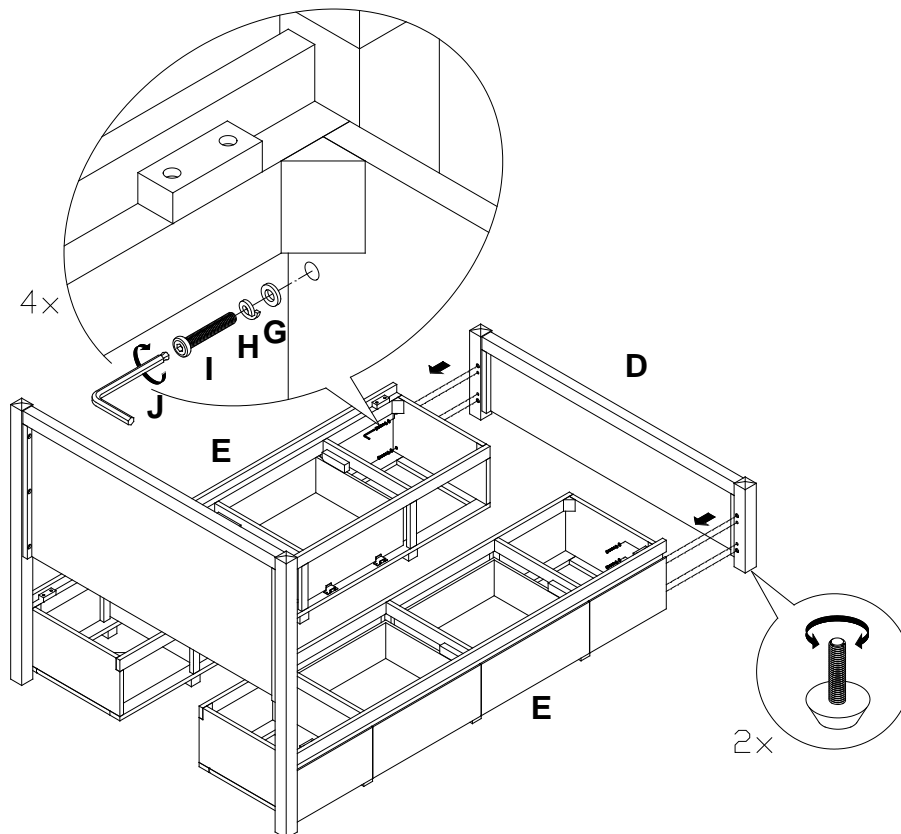
1. Attach the left and right headboard post (B&C) to the headboard (A) by aligning the pre-drilled holes and exposed wooden dowels on the post and panel.
2. Secure with flat washer (G), spring washer (H) and short Allen bolt (I) using Allen key (J).



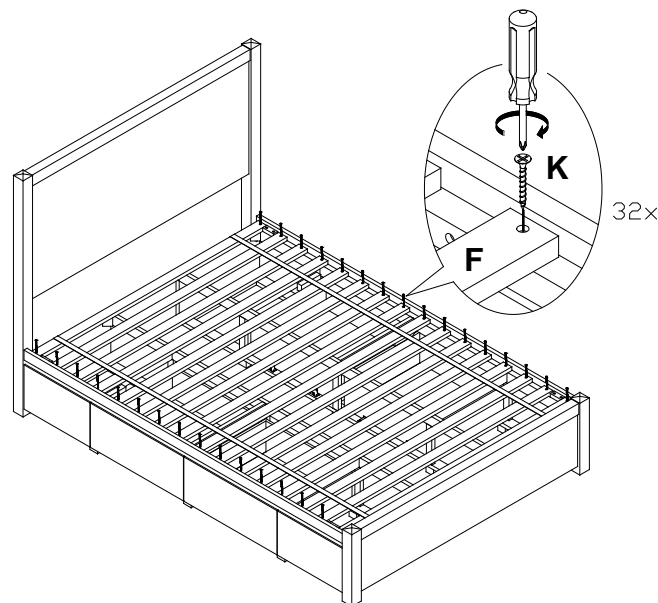
3. Adjust the leveler under the posts and support legs on the headboard and side storage if they don't sit level.
4. Attach the side storage (E) to headboard (A) by aligning the exposed wooden dowels on side storage with pre-drilled holes on the post (B&C) of headboard.
5. Secure with flat washer (G), spring washer (H) and short Allen bolt (I) using Allen key (J).



6. Repeat above steps to attach the footboard (D) to the side storage (E) as shown.



7. Roll out the slat roll (F) on the inner side of side storages. Secure with wood screw (K) using a Phillip Head Screwdriver.



Assembly is completed.

Care Instructions:

- Dust often using a clean, soft, dry and lint-free cloth.
- Blot spills immediately and wipe with a clean, damp, cloth.
- We do not recommend the use of chemical cleansers, abrasives or furniture polish on our lacquered finish.
- Hardware may loosen over time. Periodically check to make sure all connections are tight.
Re-tighten if necessary.

Thank you for your purchase
Stores | catalog