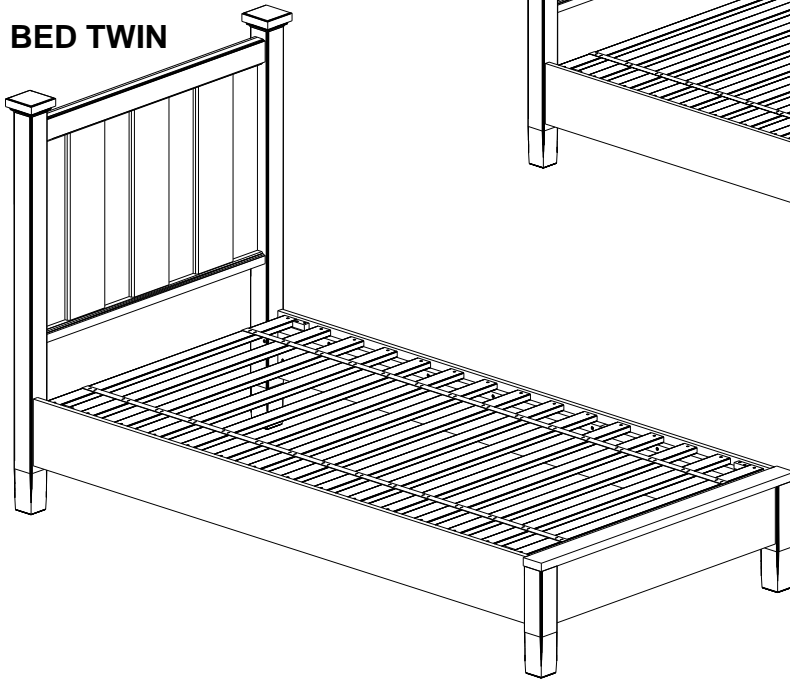




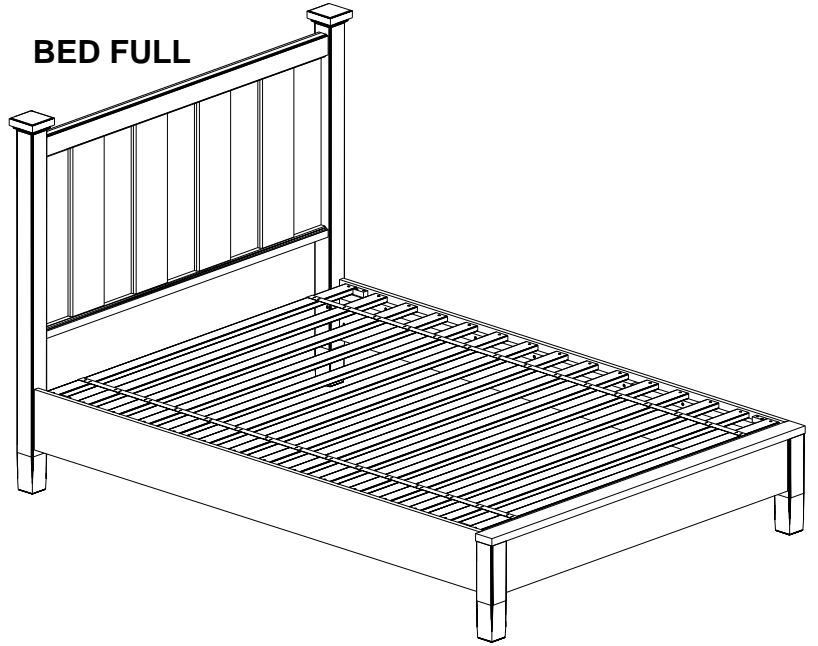
CHATHAM PLANKED BED FULL / TWIN

ASSEMBLY INSTRUCTIONS

BED TWIN



BED FULL



Date : 2013-Feb-16
Rev : 2013-Feb-19

www.pbteen.com

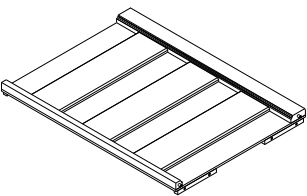
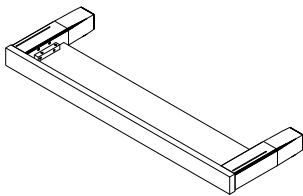
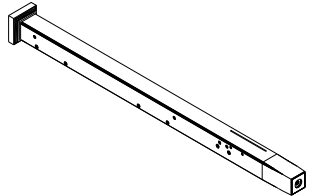
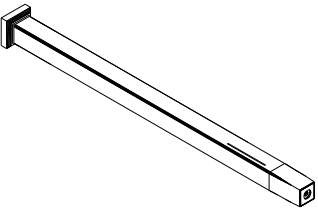
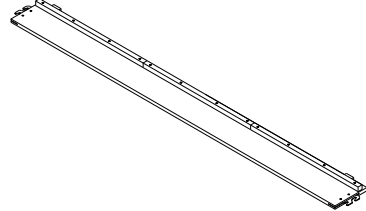
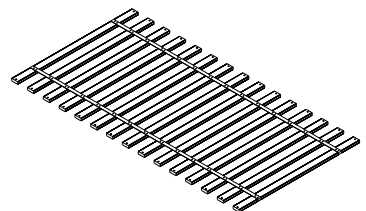
Important Safety Instructions:

- Please read all instructions carefully before assembling.
- For your safety, assembly by two or more adults is strongly recommended.
- Keep instructions for future use.
- Use only vendor supplied hardware to assemble. Using unauthorized hardware could jeopardize the structural integrity of the item.

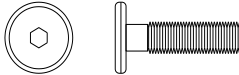

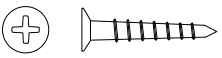
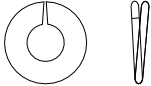

Pre-assembly:

- Remove all parts and hardware from the box and lay out on a clear carpeted or scratch-free work surface, as this will avoid damaging parts during assembly. The shipping box provides an ideal work surface.
- Do not dispose of any packaging or contents of the shipping carton until assembly is completed to avoid accidentally discarding small parts or hardware.
- Use the parts and hardware lists below to identify and separate each of the pieces included.
- The illustrations provided allow for easier assembly when used in conjunction with the assembly instructions.
- The use of power tools to aid in assembly is not recommended. Power tools can damage hardware and split wood.


Parts included:

<p>(A) Headboard – 1 pc</p> 	<p>(B) Footboard – 1 pc</p> 	<p>(C) Left Post Headboard – 1 pc</p> 
<p>(D) Right Post headboard – 1 pc</p> 	<p>(E) Left & Right Side Rail – 2pcs</p> 	<p>(F) Slat Roll – 1Pc</p> 

Hardware included:

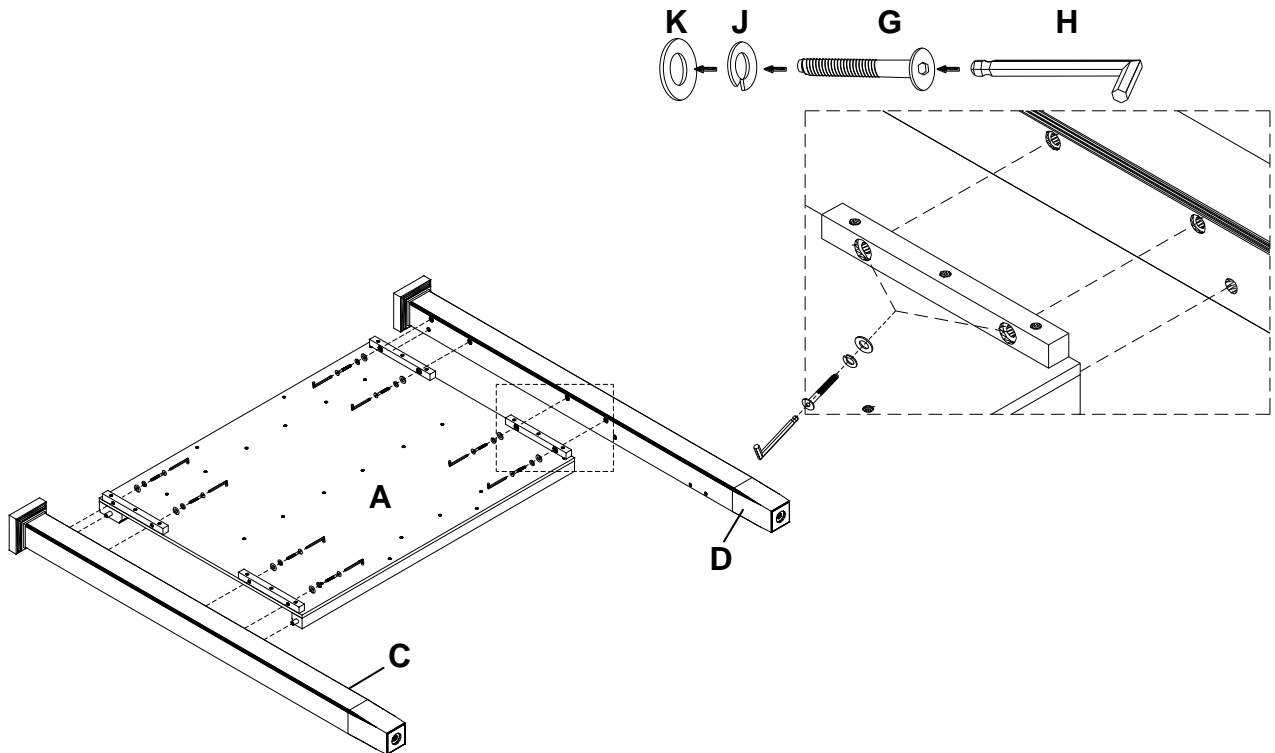
<p>(G) Allen Bolts – 8Pcs (M6 x 35 mm)</p>	<p>(H) Allen Key – 1pc</p>	<p>(I) Screws – 30Pcs (ø6 x 1¼")</p>
		
<p>(J) Lock Washer – 8pcs</p>	<p>(K) Metal Washer – 8pcs</p>	
		

Tools Required (not included)

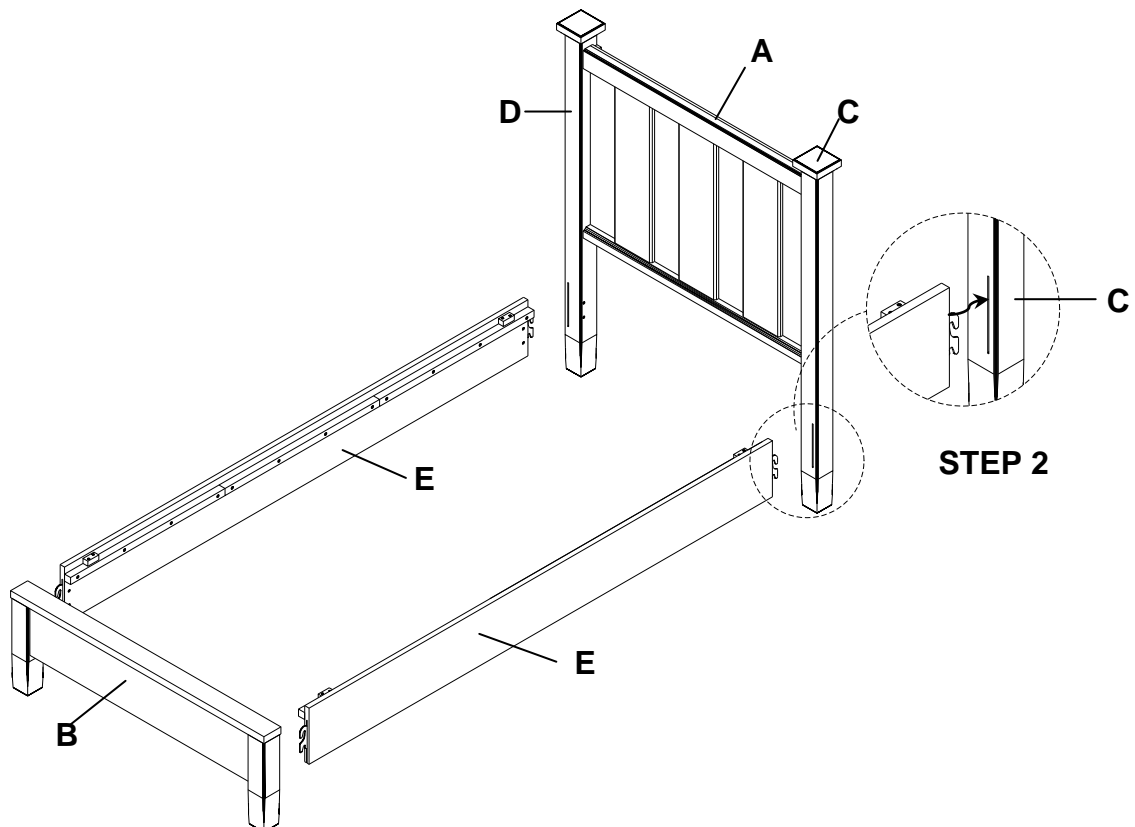
- Phillips Head Screwdriver 

Assembly Instructions:

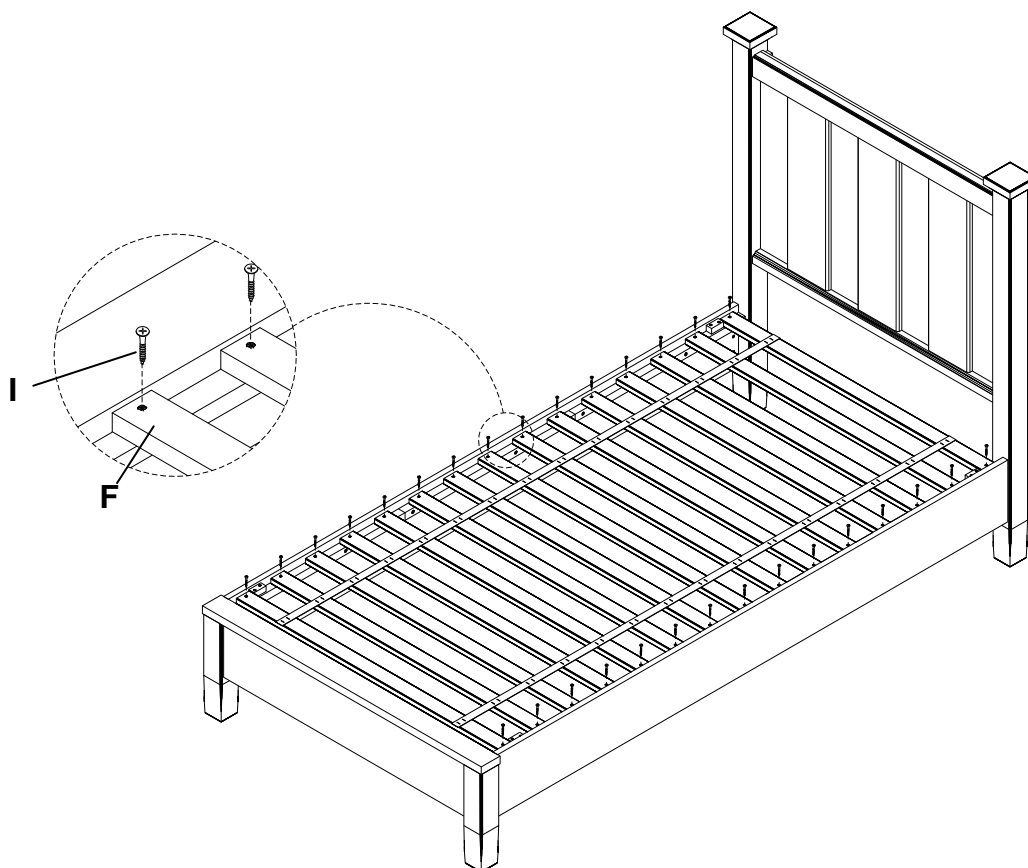
1. Attach Headboard panel (A) to the left (C) and right post (D) by aligning the preinstalled wooden dowels to the posts predrilled holes. Insert Metal washer (K), lock washer (J), and Allen bolt (G) through the holes in the Headboard Panel (A), and into the threaded inserts in the post as shown below. Then tighten with supplied Allen Key (H). Repeat the installation for the next post, as shown below.



2. Attach Left Side Rail (E) and Right Side Rail (E) into Headboard post and Footboard post by locking the side rail hooks into HB/FB post grooves as shown below.



3. Place slat roll (F) to Left/Right side Rails. Position the two end slats over the wooden blocks of the side rails to hold the slats into the place. Secure slat Roll (F) to Left/Right Side Rails with wood screws (I).



Care Instructions:

- Hardware may loosen over time. Periodically check to make sure all connections are tight. Re-tighten if necessary.
- Dust often using a clean, soft, dry and lint-free cloth.
- To clean, slightly moisten cloth with water. (A damp cloth holds dust and prevents scratching; dry thoroughly).