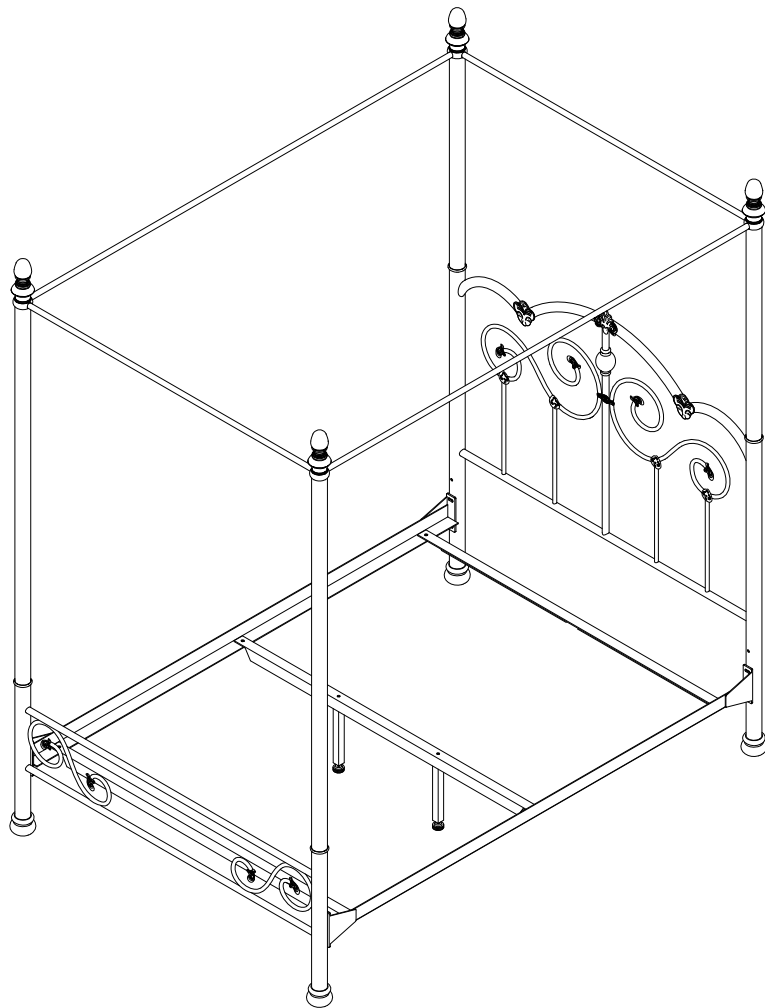




Amanda Iron Bed Canopy



PRE-ASSEMBLY:

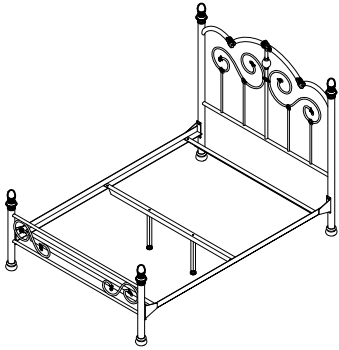
- Please read all instructions before assembling and keep instructions for future use.
- For your safety, assembly by two or more adults is strongly recommended.
- Remove all parts and hardware from box(s) and lay out on a clear carpeted or scratch free work surface (the shipping box should provide an ideal work surface). Do not dispose of any contents until assembly is complete to avoid accidentally discarding small parts or hardware.
- Use the parts and hardware list(s) to identify, separate, and count all of the pieces included in the hardware pack prior to assembly.
- If using power tools to aid in assembly, please use caution. Power tools can damage hardware and/or components.

TOOLS REQUIRED:



Allen Wrench

PARTS INCLUDED:



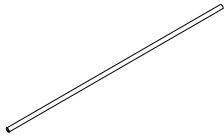
A - Metal Bed - 1pc



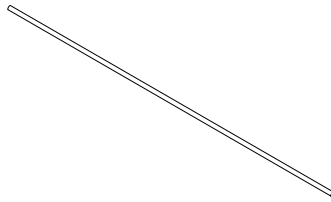
B - Long Canopy Post - 2pcs



C - Short Canopy Post - 2pcs



D - Short stertcher - 2pcs



E - Long stertcher - 2pcs

HARDWARE LIST:



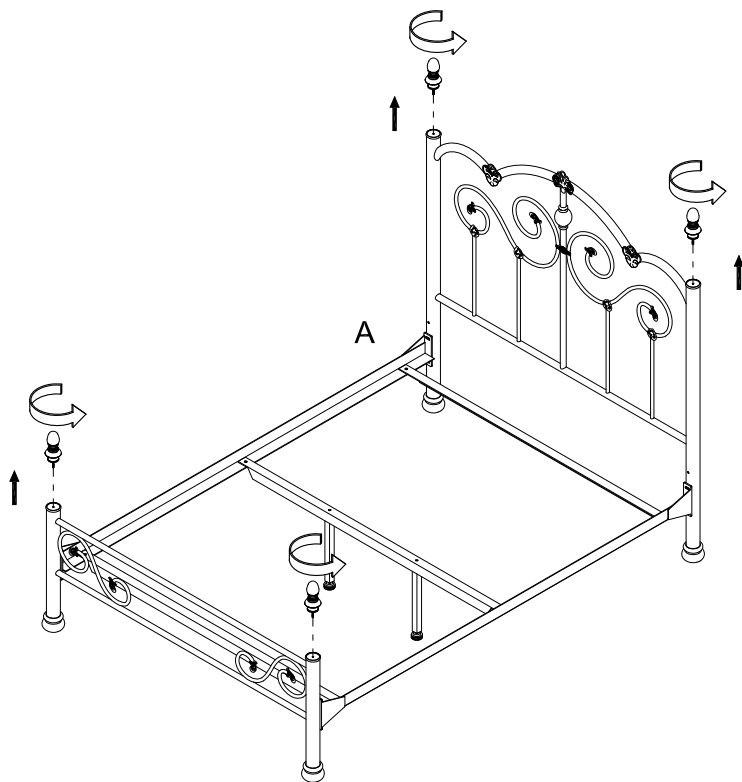
f - Bolt - 8pcs



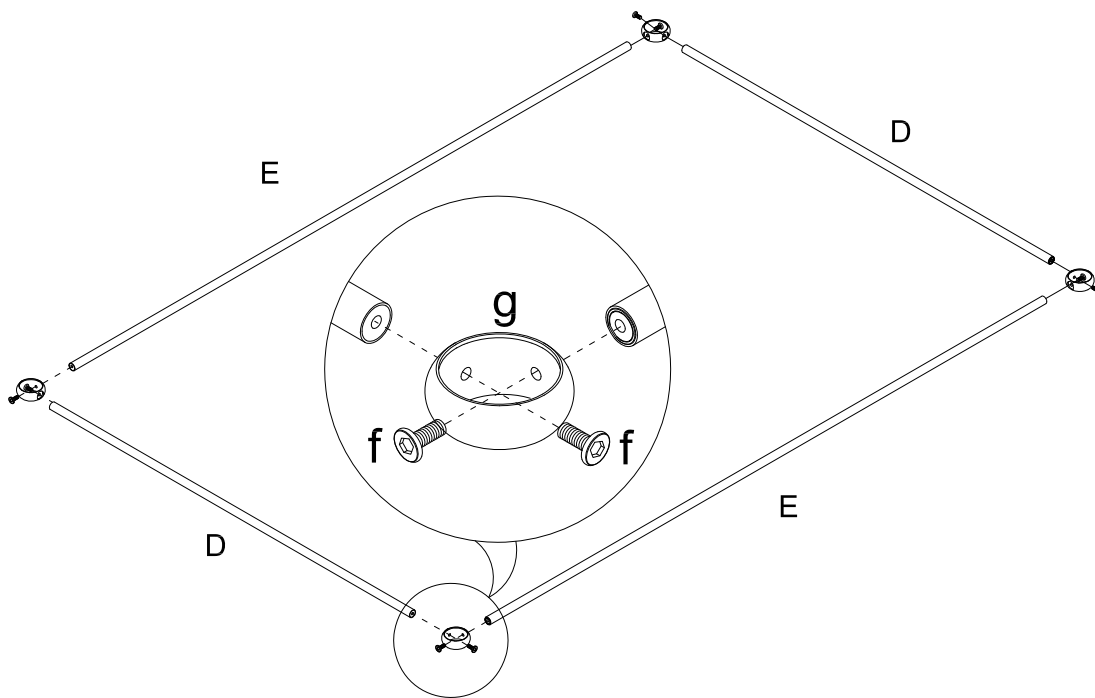
g - Canopy Connect - 4pcs

ASSEMBLY INSTRUCTIONS:

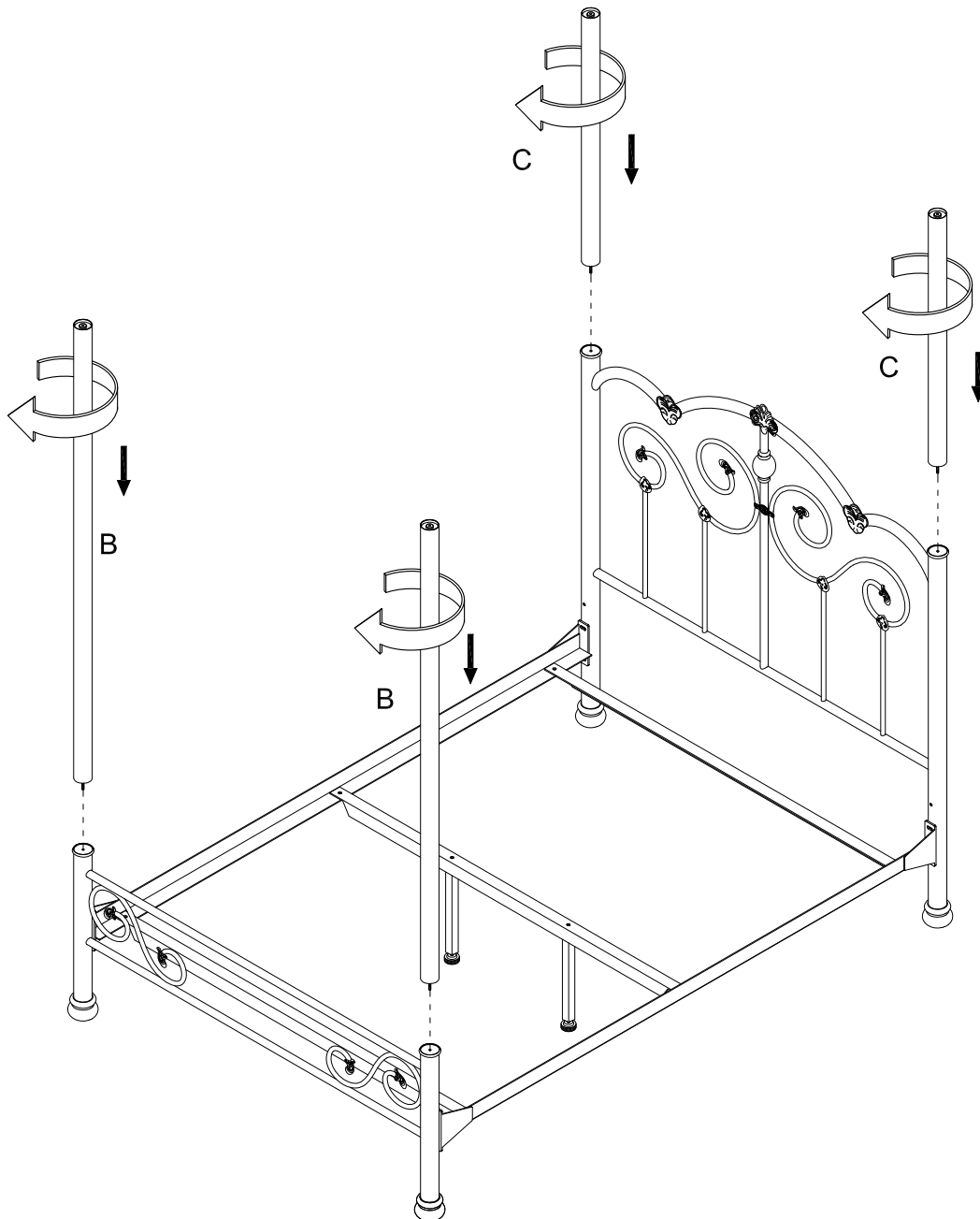
Step 1: Unscrew the finial from Metal Bed as shown.



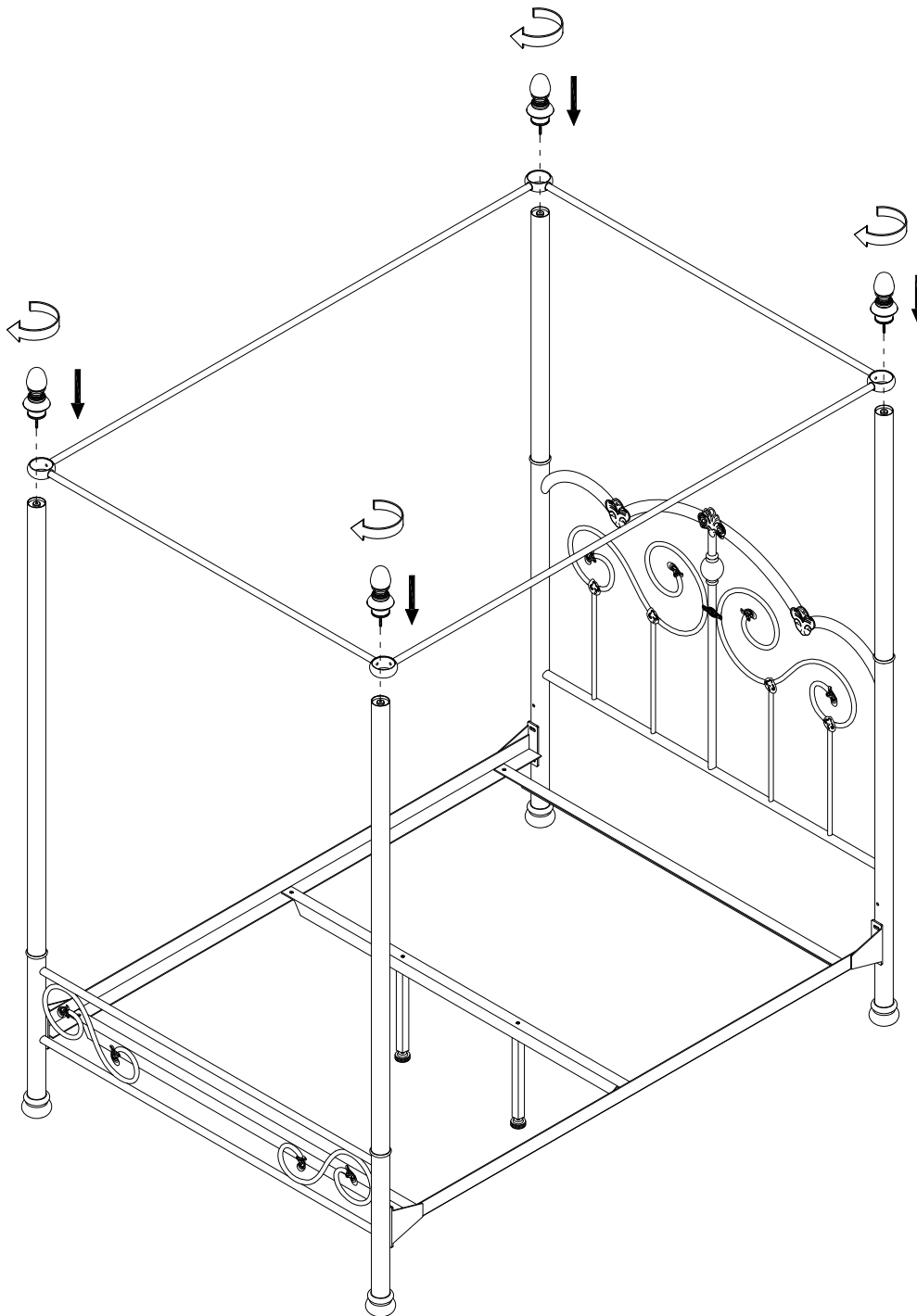
Step 2: Attach the Short Stretcher (D) and Long Stretcher (E) to Canopy Connect (g) using Bolt (f), tighten by hand at first, securely tighten the bolts with Allen Wrench, but do not over tighten the bolts.



Step 3: Screw Long Canopy Post (B) into the hole on top of Footboard as shown.
Screw Short Canopy Post (C) into the hole on top of Headboard as shown.



Step 4: Attach Canopy frame in **step 2** to Canopy Post using the finial in **step 1**, screw finial into Canopy Post as shown.



CARE INSTRUCTIONS:

- Hardware may loosen over time. Periodically check to make sure all connections are tight. Re-tighten if necessary.
- Wipe with a soft, dry cloth.
- To protect the finish, avoid the use of all chemicals and household cleaners.