

## 31685 Meadow Iron Bed -Twin Size

### PRE-ASSEMBLY:

- Please read all instructions before assembling.
- Two or more people is recommended for assembly.
- Save all packing materials until assembly is complete to avoid accidentally discarding smaller parts or hardware.

### TOOLS REQUIRED:

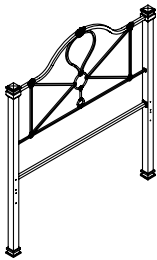


Allen Wrench

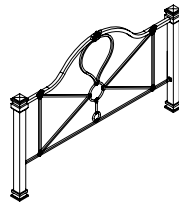


Open Wrench

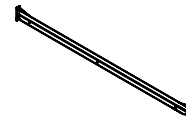
### PARTS INCLUDED:



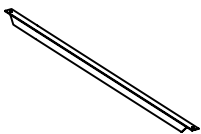
A - Metal Headboard - 1pc



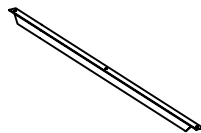
B - Metal Footboard - 1pc



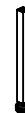
C - Metal Side Rail - 2pcs



D - Side Metal Slat - 2pcs



E - Middle Metal Slat with one predrilled hole - 1pc



F - Metal Short Support Leg - 1pcs



G - Metal Long Support Leg - 1pcs

### HARDWARE LIST:



a - Short Bolt  $\text{Ø}1/4 \times 3/4 \text{L}$  - 6pcs



b - Long Bolt  $\text{Ø}1/4 \times 1 \text{L}$  - 9pcs



c - Spring Washer - 14pcs



d - Flat Washer - 21pcs



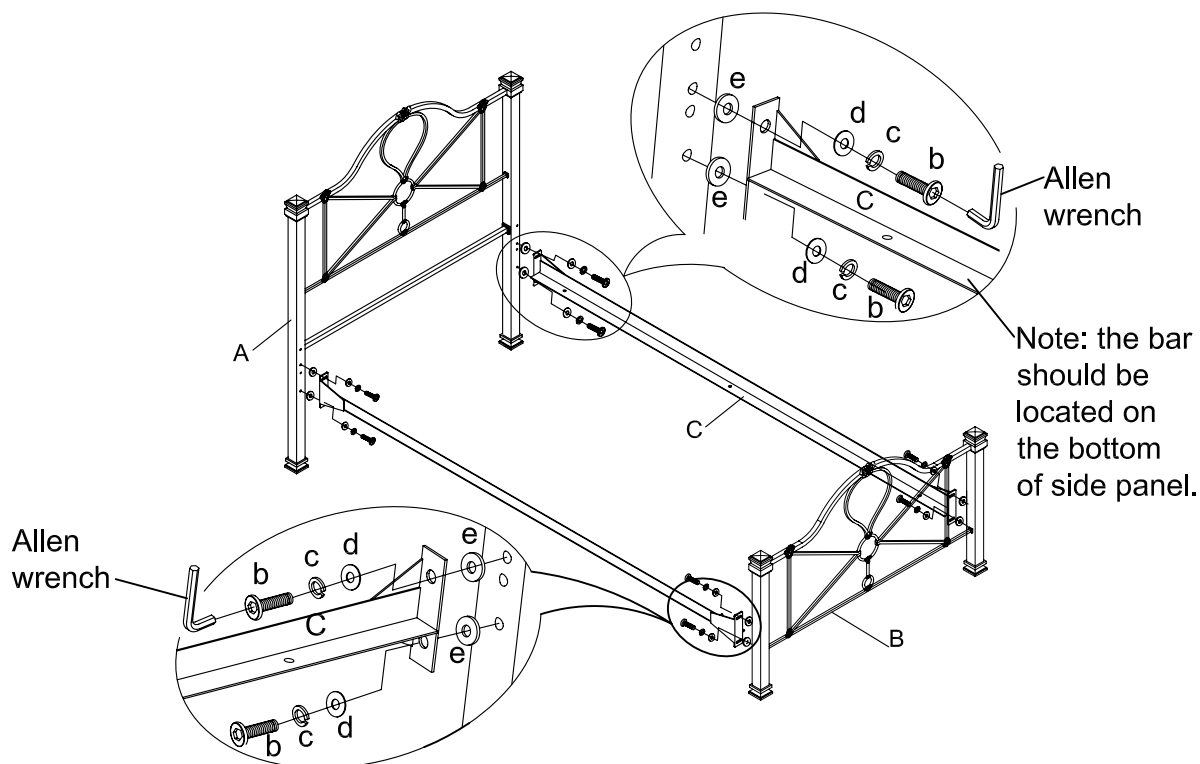
e - Plastic Flat Washer - 8pcs



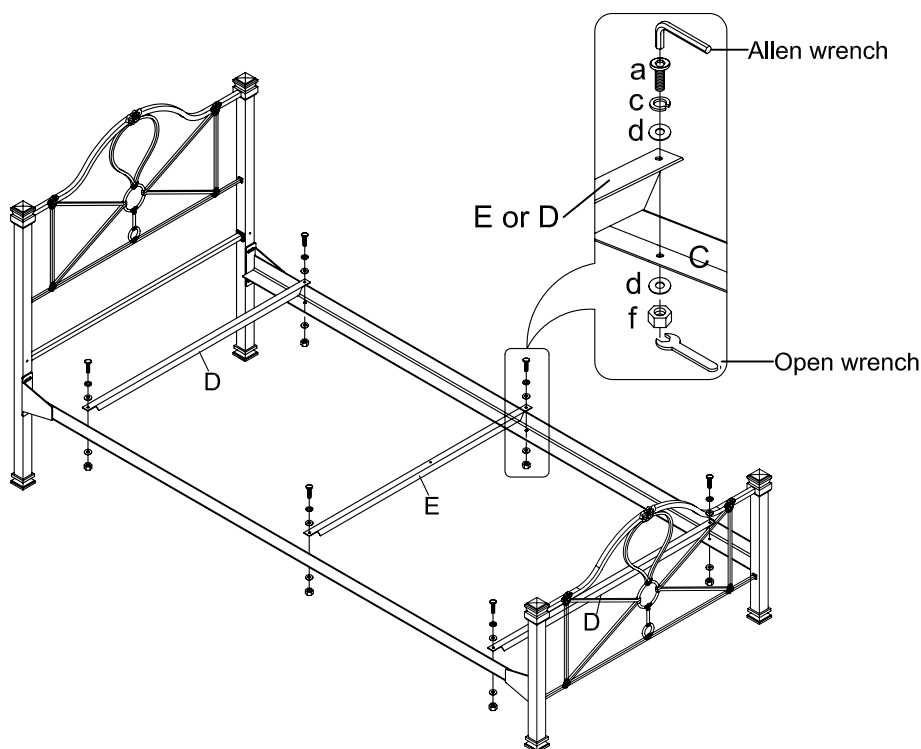
f - Nut  $\text{Ø}1/4 \text{L}$  - 6pcs

## ASSEMBLY INSTRUCTIONS:

**Step 1 :** There are two option location for side rails, attach metal side rail (C) to the desired side rails location on metal headboard (A) and metal footboard (B) using long bolt (b), spring washers (c), flat washer (d) and plastic flat washer (e), tighten by hand at first, securely tighten the bolts with Allen wrench, but do not over tighten the bolts.



**Step 2 :** Attach the metal slat (D) and metal slat (E) to the metal side rail (C) using short bolt (a), spring washer (c), flat washers (d) and nut (f), tighten by hand at first, securely tighten all bolts and nuts with Allen wrench and open wrench as shown, but do not over tighten the bolts and nuts.

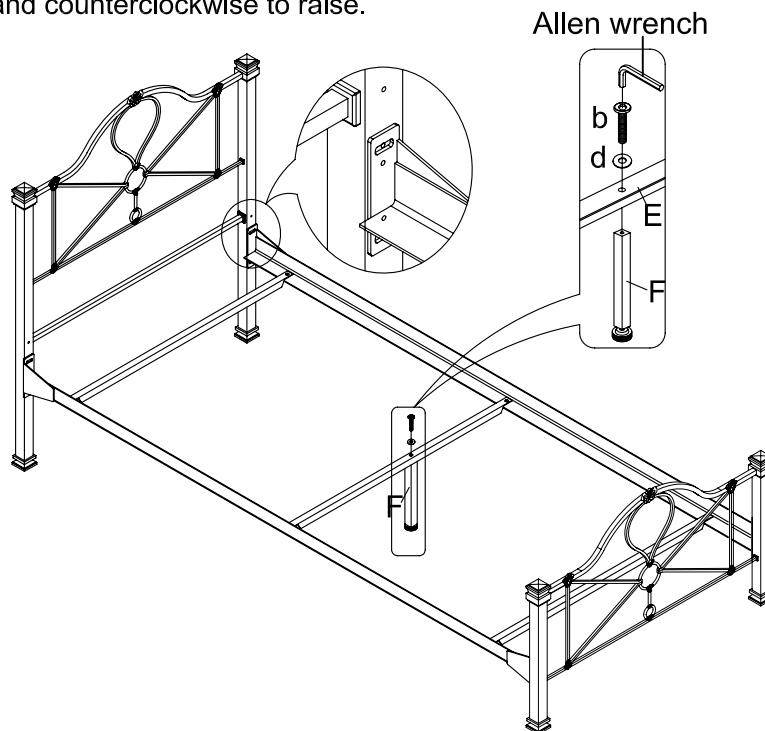


**Step 3 :**

Choose short or long metal support leg (F or G) to the metal slats (D and E) according to which optional side rails location chose on **Step 1**. **Note:** Side rail locate on lower location comes with short support legs (See Option 1) , side rail locate on upper location will come with long support legs (See Option 2) . Attach the metal support legs (F & G) to the metal slats (D and E) using long bolt (b) and flat washer (d), tighten by hand at first, securely tighten all bolts with Allen wrench, but do not over tighten the bolts. Adjust the height of each metal support legs (F & G) by turning adjustable levelers on the bottom of metal support legs (F & G) clockwise to lower and counterclockwise to raise.

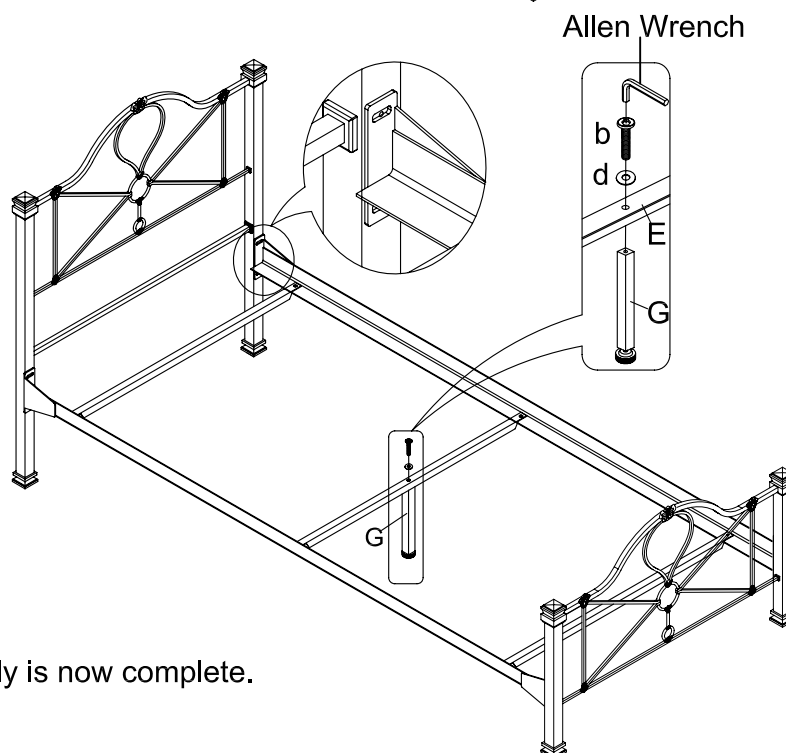
**Option 1:**

Side rail is locating on the lower location.



**Option 2:**

Side rail is locating on the upper location.



**Step 4 :** The assembly is now complete.

**CARE INSTRUCTIONS:**

- Wipe with a soft, dry cloth.
- To protect the finish, avoid the use of all chemicals and household cleaners.