

# SUTTON CLASSIC/UPHOLSTERED HEADBOARD

**Important Safety Instructions:**

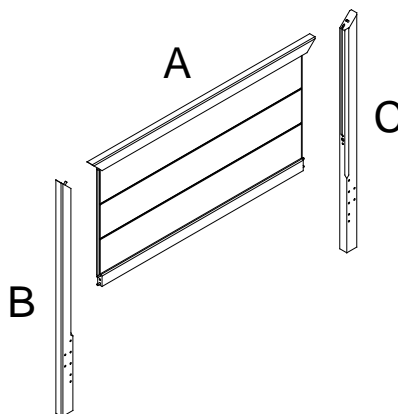
- Please read all instructions carefully before assembling.
- For your safety, assembly by two or more adults is strongly recommended.
- Keep instructions for future use.
- Use only vendor supplied hardware to assemble. Using unauthorized hardware could jeopardize the structural integrity of the item.

**Pre-assembly:**

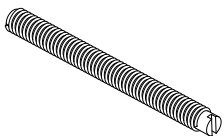
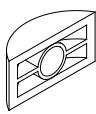


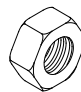
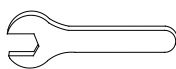
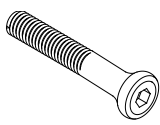
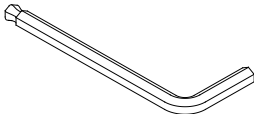
- Remove all parts and hardware from the box and lay out on a clear carpeted or scratch-free work surface, as this will avoid damaging parts during assembly. The shipping box provides an ideal work surface.
- Do not dispose of any packaging or contents of the shipping carton until assembly is completed to avoid accidentally discarding small parts or hardware.
- Use the parts and hardware lists below to identify and separate each of the pieces included.
- The illustrations provided allow for easier assembly when used in conjunction with the assembly instructions.
- The use of power tools to aid in assembly is not recommended. Power tools can damage hardware and split wood.

**Parts Included: (Illustration for Classic HB)**



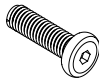
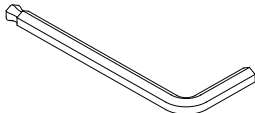
- (A) Headboard panel 1x
- (B) Left side post 1x
- (C) Right side post 1x



**Hardware Included:**

(D)-Threaded Bolt	(E)-Fitting	(F)-Large flat washer	(G)-Large spring washer
			
M8x73 mm			
2x	4x	4x	4x
(H)-Nut	(I)-Wrench	(J)- Long Allen bolt	(K)-Allen key
			
		M8x55 mm	
2x	1x	2x	1x

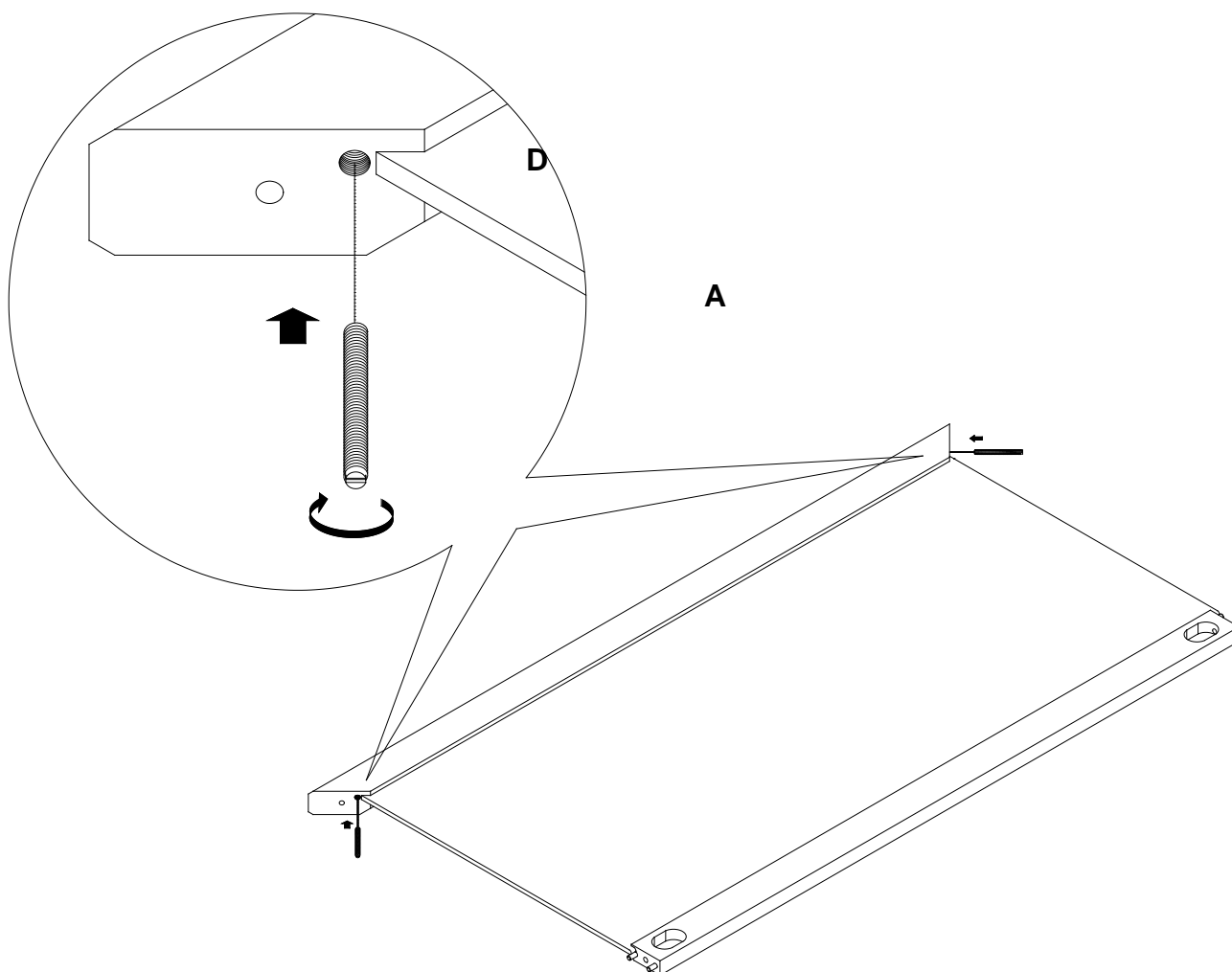
Hardware for assembly with simple base or storage base or metal bed frame

(M)-Small flat washer 	(N) - Small spring washer 	(O) - Short Allen bolt  M6x25 mm	(P) - Allen key 
6x	6x	6x	1x

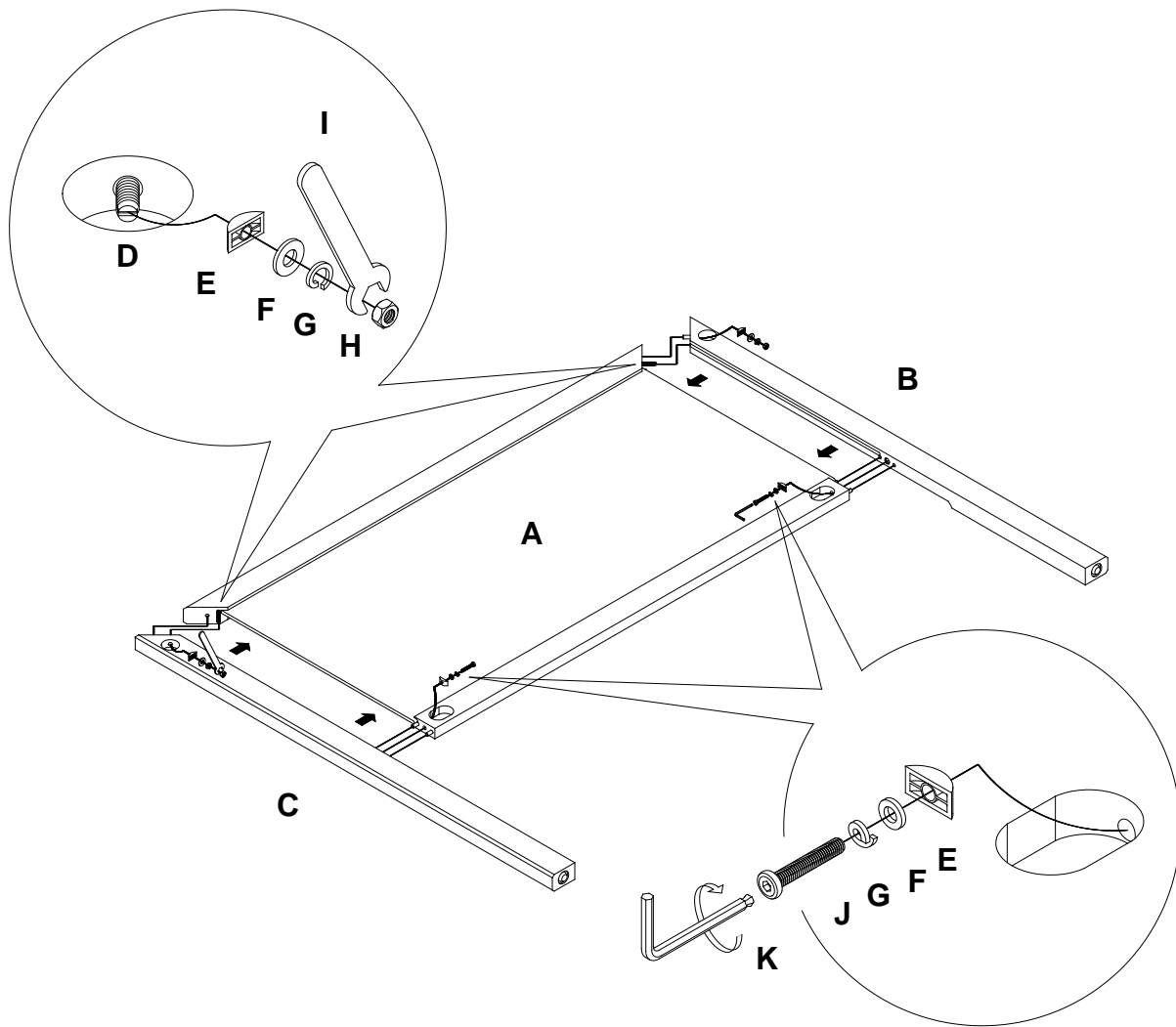
**Assembly Instruction Steps:**

**Note: The Classic HB Twin is fully assembled and ready to connect with simple base or storage base for using**

1. Insert the threaded bolt (D) into the inserted nut at two ends of headboard (A) top rail. Turn clock wise until tight, as seen in the illustration below.



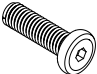


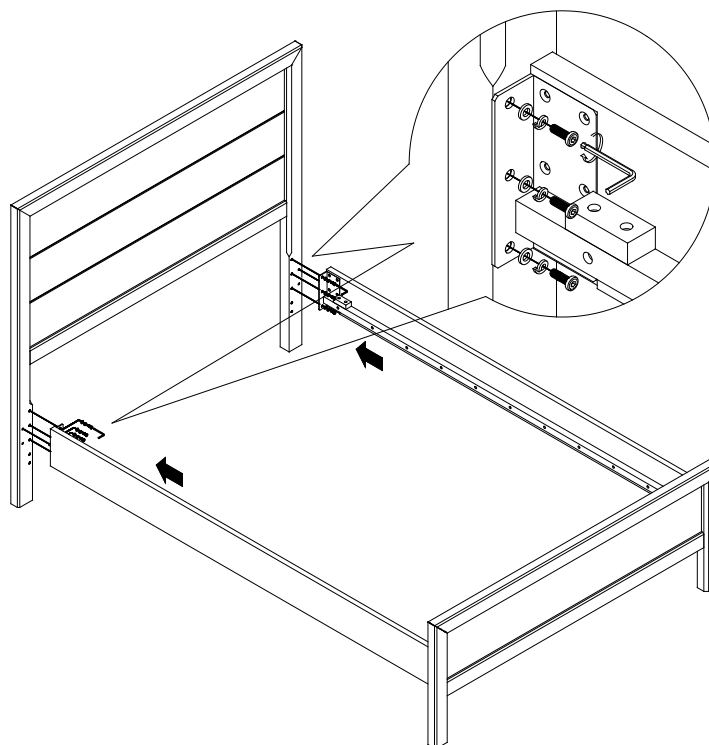
2. Attach the left and right side post (B&C) to the headboard panel (A) by aligning the pre-drilled holes on the posts with the threaded bolt (D) that has just been installed and exposed wood dowel on two ends of headboard bottom rail.
3. Secure the by fitting (E), large flat washer (F), large spring washer (G) and nut (H) into the threaded bolt (D) using wrench (I). At the bottom of headboard, securing posts by fitting (E), large flat washer (F), large spring washer (G) and long Allen bolt (J) using Allen key (K) as shown.



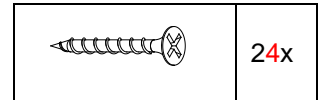
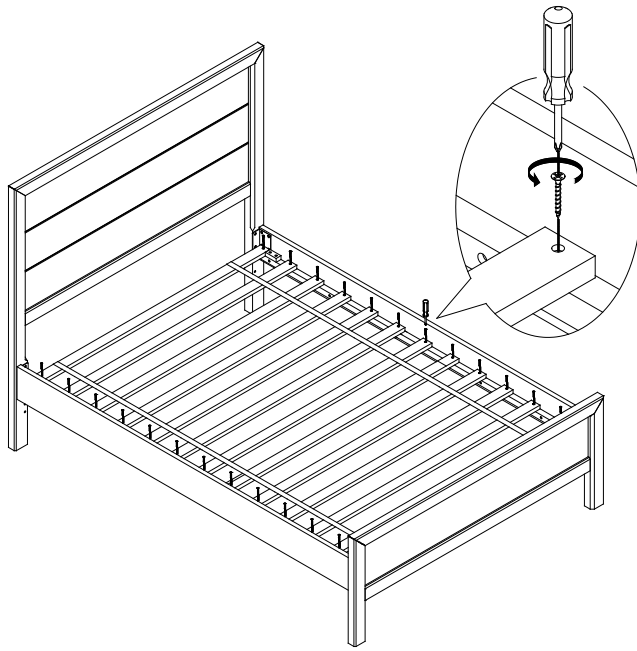
**ASSEMBLY WITH SIMPLE BASE (Sold separately)**

1. Attach the headboard to two side rails of simple base by aligning the pre-drilled hole on the headboard post with exposed dowel on the side rails.
2. Secure the headboard with small flat washer (M), small spring washer (N) and short Allen bolt (O) using Allen key.

M		6x
N		6x
O		6x



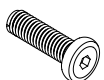


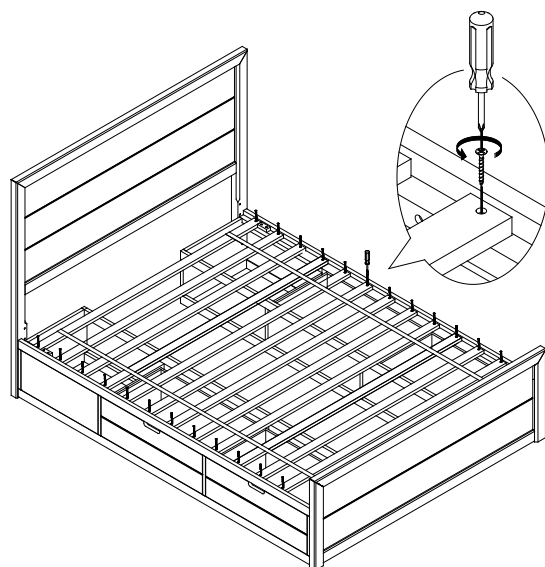
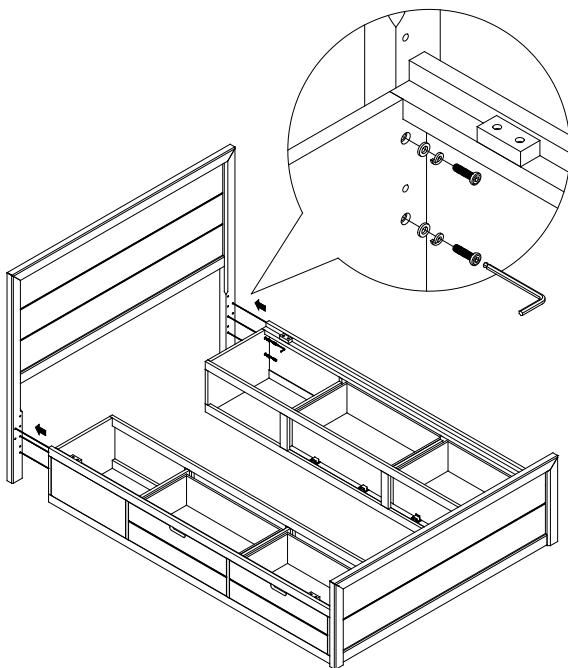
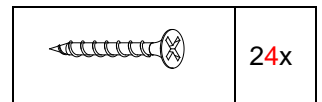
3. Roll out the slat roll of simple base on two side rails and then secure with wood screws (get from simple base box)



**ASSEMBLY WITH STORAGE BASE (Sold separately)**

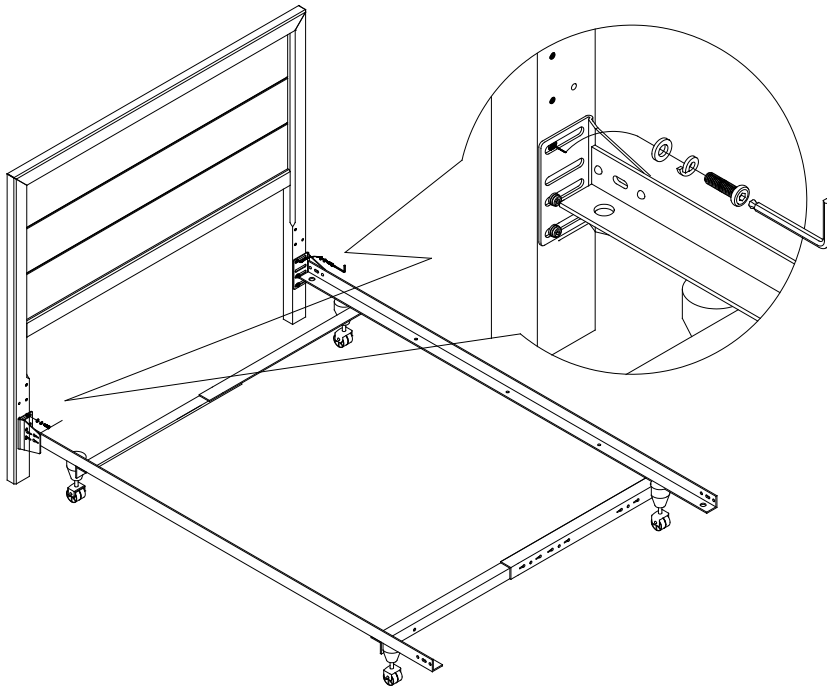
Same as assembly with simple base. Keep the extra bolt and washers for later use



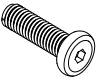
M		4x
N		4x
O		4x

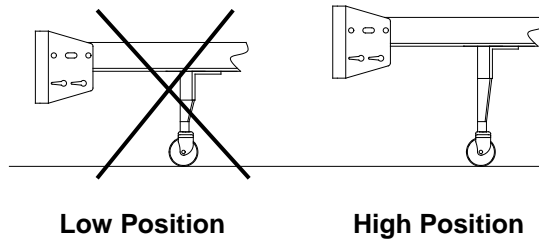


## ASSEMBLY WITH METAL BOX FRAME (Sold separately)

**Note: Pre assembled the box frame first. Make sure the face plate of the box frame is set at high position.**



M		6x
N		6x
O		6x



Assembly is completed.

### Care Instructions:

- Dust often using a clean, soft, dry and lint-free cloth.
- Blot spills immediately and wipe with a clean, damp, cloth.
- We do not recommend the use of chemical cleansers, abrasives or furniture polish on our lacquered finish.
- Hardware may loosen over time. Periodically check to make sure all connections are tight.  
Re-tighten if necessary.