



LILAC QUEEN BED

ASSEMBLY INSTRUCTIONS



Important Safety Instructions:

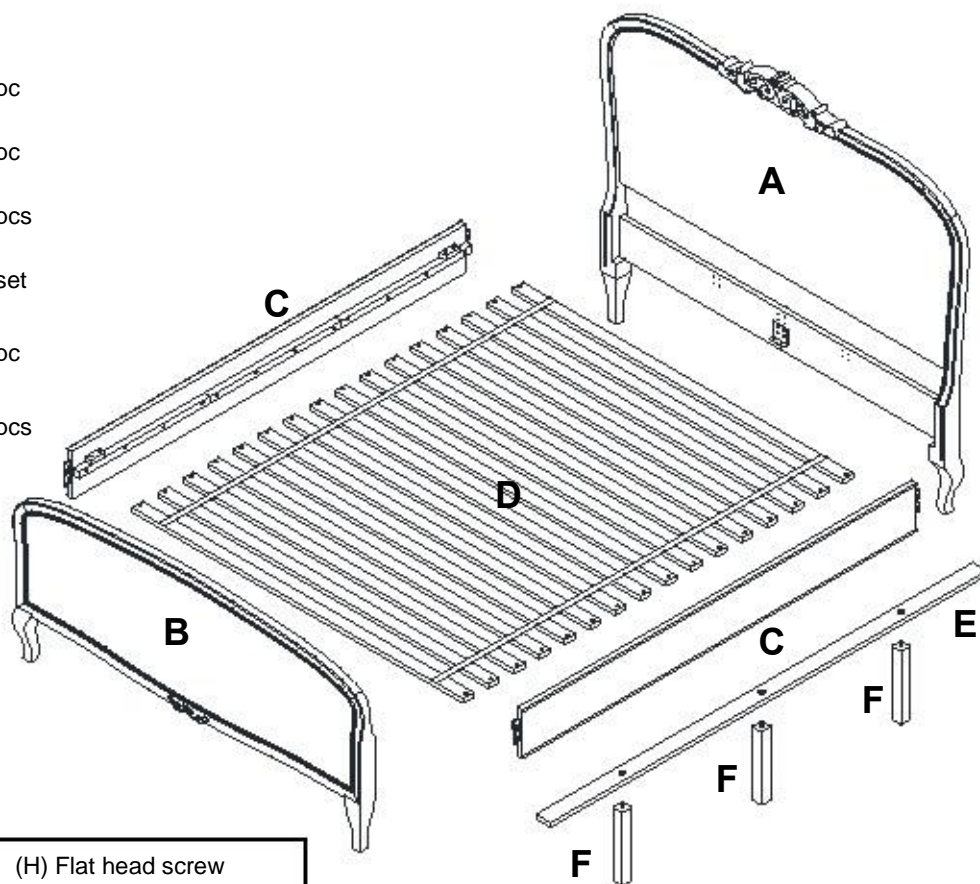
- Please read all instructions carefully before assembling.
- For your safety, assembly by two or more adults is strongly recommended.
- Keep instructions for future use.
- Use only vendor supplied hardware to assemble. Using unauthorized hardware could jeopardize the structural integrity of the item.

Pre-assembly:

- Remove all parts and hardware from the box and lay out on a clear carpeted or scratch-free work surface, as this will avoid damaging parts during assembly. The shipping box provides an ideal work surface.
- Do not dispose of any packaging or contents of the shipping carton until assembly is completed to avoid accidentally discarding small parts or hardware.
- Use the parts and hardware lists below to identify and separate each of the pieces included.
- The illustrations provided allow for easier assembly when used in conjunction with the assembly instructions.
- The use of power tools to aid in assembly is not recommended. Power tools can damage hardware and split wood.

Parts Included:

- | | |
|------------------|---------|
| (A) Headboard | - 1 pc |
| (B) Footboard | - 1 pc |
| (C) Side rail | - 2 pcs |
| (D) Slat roll | - 1 set |
| (E) Support Rail | - 1 pc |
| (F) Support Legs | - 3 pcs |



Hardware Included:

(G) Round head screw
8x25mm – 32x



(H) Flat head screw
7x16mm – 4x



Tools Required (not included):

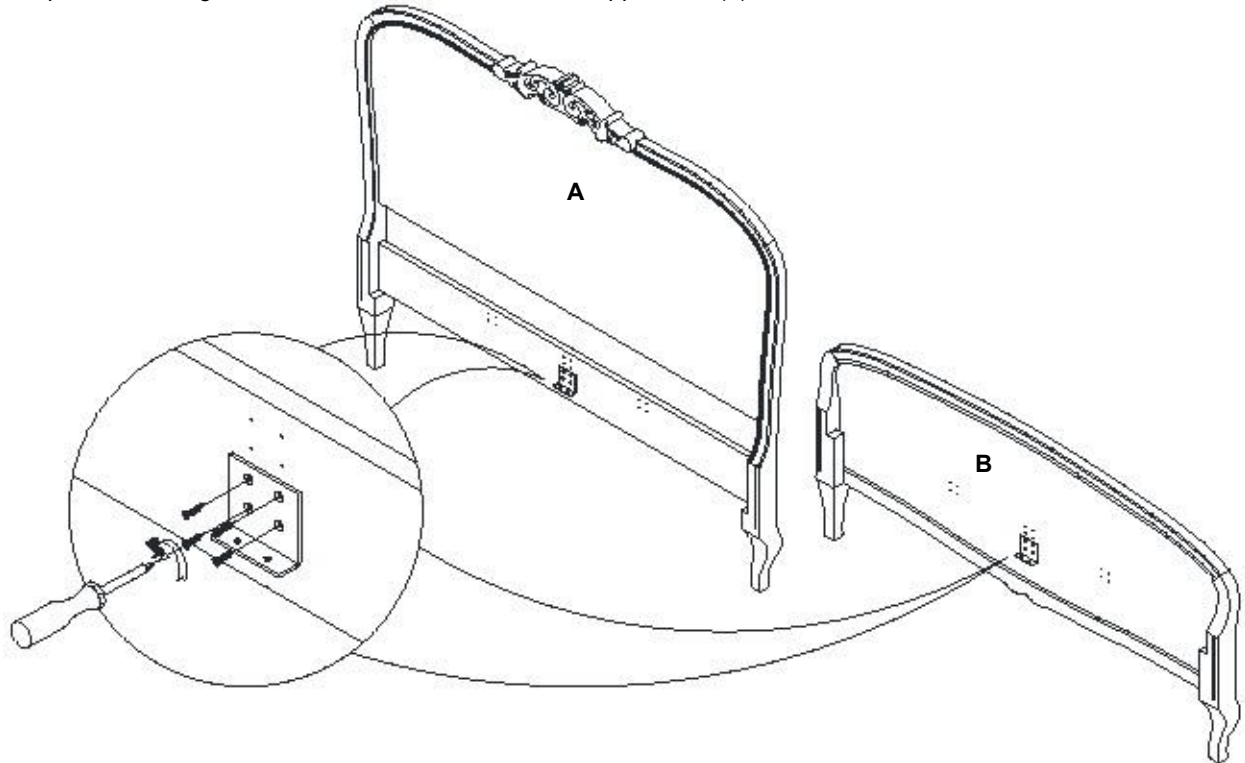


Philips Head Screwdriver

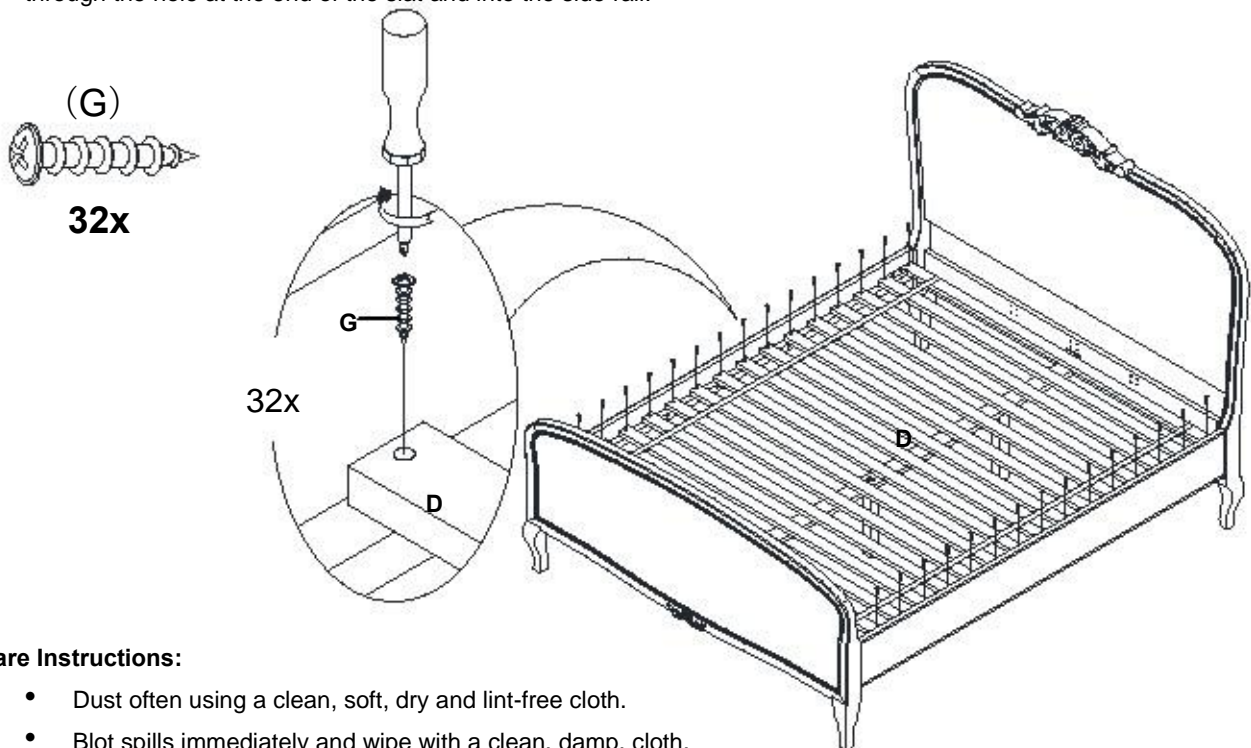
Date: 2013 – Mar-13

Rev: 2013 – June-6

6. Three positions for the Support Rail (F) are provided. The center positions on the Headboard (A) and Footboard (B) are for when no trundle bed is used. The illustrated optional positions are for when a trundle is used with the bed. If using a trundle, please unscrew the metal bracket on the Headboard (A) and Footboard (B) then re-assemble to the pre-drilled holes on the opposite side of the bed to where you desire the trundle to be used. This provides enough room of the trundle to not hit the Support Rail (F).



7. Install the slat roll (D) in between the side rail as shown. Secure the slats by fastening Round head screw (G) through the hole at the end of the slat and into the side rail.



Care Instructions:

- Dust often using a clean, soft, dry and lint-free cloth.
- Blot spills immediately and wipe with a clean, damp, cloth.
- We do not recommend the use of chemical cleansers, abrasives or furniture polish on our lacquered finish.
- Hardware may loosen over time. Periodically check to make sure all connections are tight. Re-tighten if necessary.