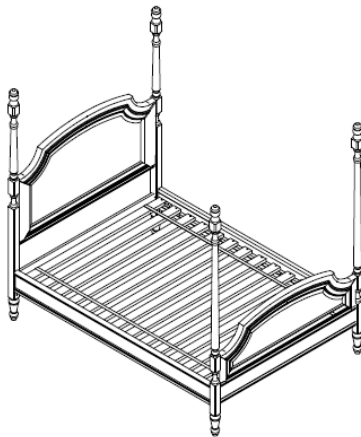
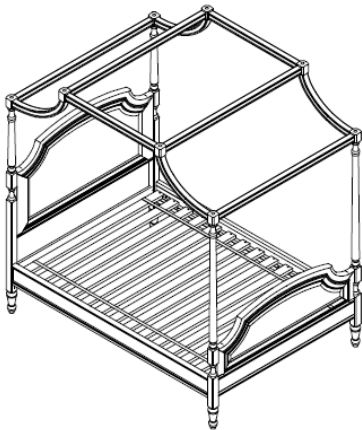
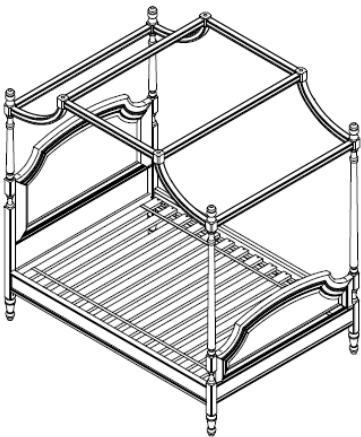




**CORALINE CANOPY – TWIN & FULL**

**ASSEMBLY INSTRUCTIONS**



**Important Safety Instructions:**

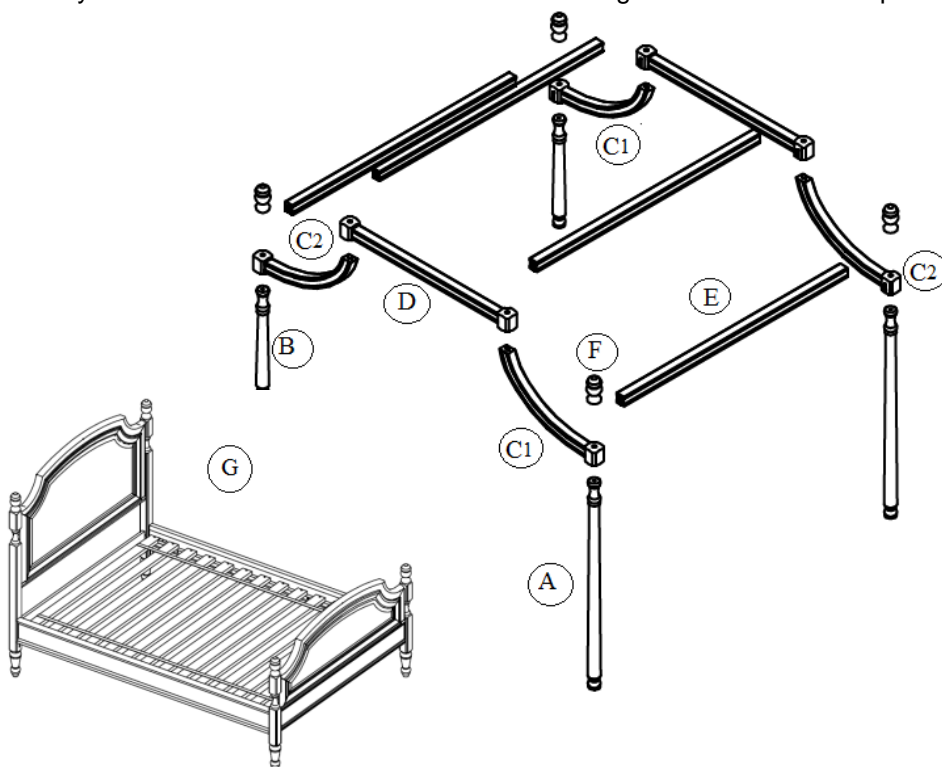
- Please read all instructions carefully before assembling this Canopy.
- For your safety, assembly by two or more adults is strongly recommended.
- Keep these instructions for future use.
- Use only vendor-supplied hardware to assemble this item. Using unauthorized hardware could jeopardize the structural integrity of the item.

**Pre-assembly:**

- Remove all parts and hardware from the box. Place all items on a carpeted or scratch-free work surface, as this will avoid damaging the parts during assembly. The shipping box provides an ideal work surface.
- To avoid accidentally discarding small parts or hardware, do not dispose of any packaging or contents of the shipping carton until assembly is complete.
- Use the parts and hardware lists below to identify and separate each of the pieces included.
- The illustrations provided allow for easier assembly when used in conjunction with the assembly instructions.
- The use of power tools to aid in assembly is not recommended. Power tools can damage the hardware and split the wood.

**Parts Included:**










- (A) Long Post (2x)
- (B) Short Post (2x)
- (C1) Curved Rail-1 (2x)
- (C2) Curved Rail-2 (2x)
- (D) Short Horizontal Rail (2x)
- (E) Long Horizontal Rail (4x)
- (F) Finial (4x)



**Parts Required (not included):**

- (G) Coraline Twin/Full Bed (1x)

**Hardware Included:**

(H) Short Bolt Ø5/16"x2" - 4x 	(I) Allen Bolt Ø5/16"x2-1/4" - 8x 	(J) Spring Washer Ø5/16"x13x1.2mm - 8x 	(K) Flat Washer Ø5/16"x16x2mm - 8x 
(L) Long Bolt Ø5/16"x5" - 4x 	(M) Ball Tip Allen Key M5 x 114 x 31mm - 1x 	(N) Allen Bolt Ø1/4"x2-1/4" - 8x 	(O) Spring Washer Ø 1/4"-8x 
(P) Half Moon Washer - 8x 			

**Tools Required (not included):**



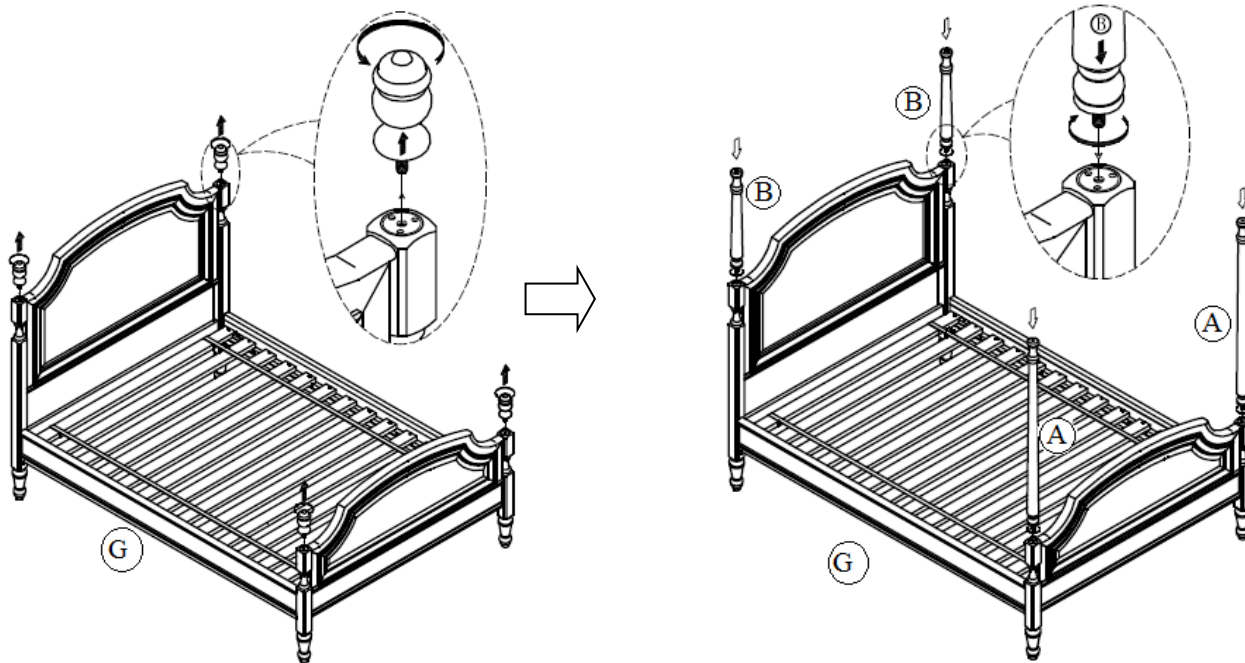
Philips Head Screwdriver

### Assembly Instruction Steps:

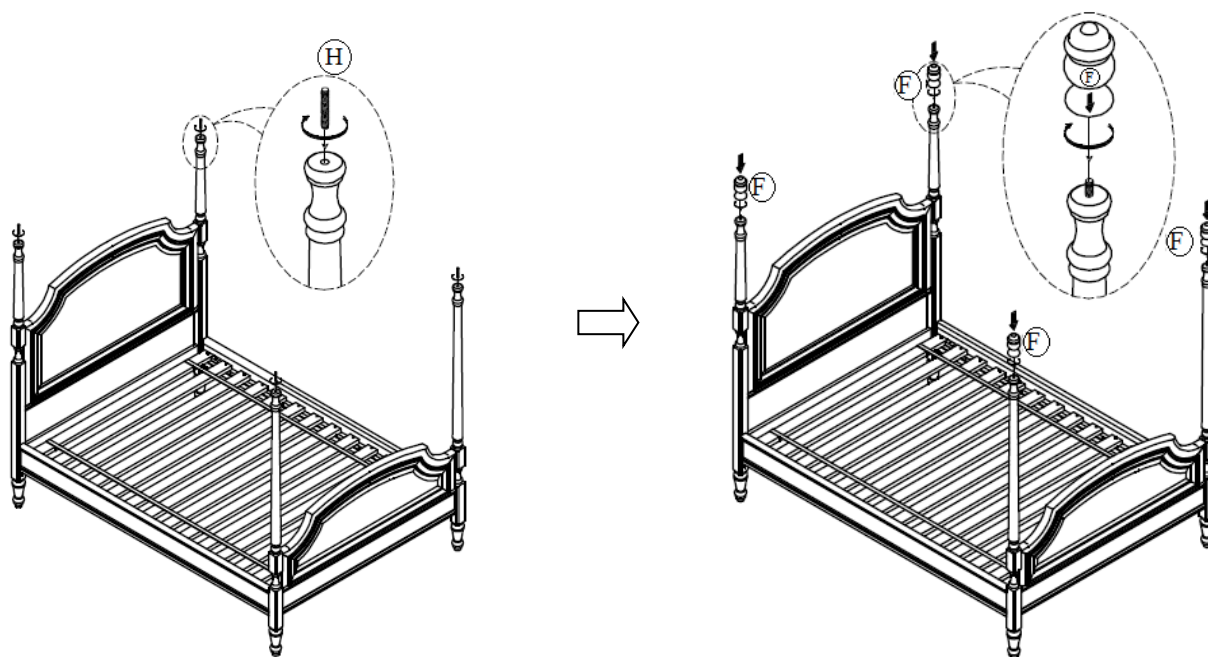
1. On a soft, scratch-free surface (such as a carpet or rug) remove all the parts from the boxes.
2. Determine the desired location of the Bed and Canopy. Prepare all parts at this location before beginning the assembly.

#### Option 1: Attached bed use post only:

3. Remove the finials from the Headboard and Footboard of the bed (G), as seen in the illustration below.
4. Attach 2 Short Posts (B) to the Headboard.
5. Attach 2 Long Posts (A) to the Footboard.
6. Tighten by hand until snug.



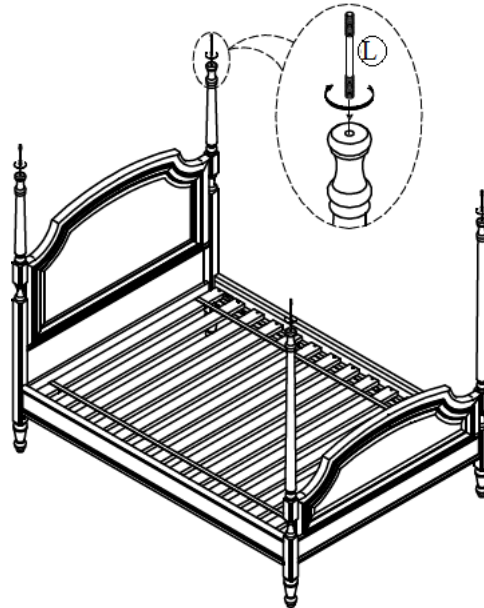
7. Insert Short Bolt (H) into the female insert on top of Long and Short Posts (A&B), as seen in the illustration below.
8. Tighten by hand until snug.
9. Attach 1 Finial (F) to each Long Post (A) & Short Post (B) by turning the Finial clockwise, as shown below.



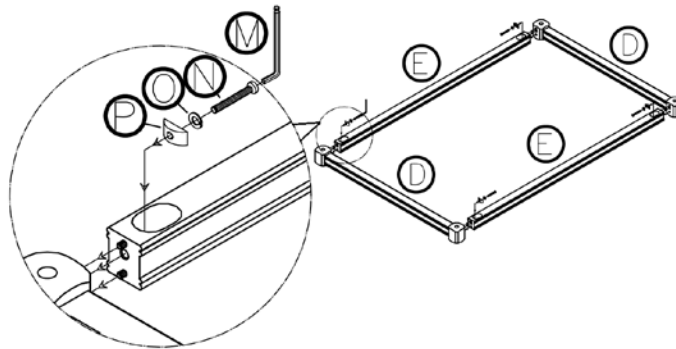
**NOTE:** Keep the Finials of the Bed for future use.

**Option 2: Attached bed use with canopy:**

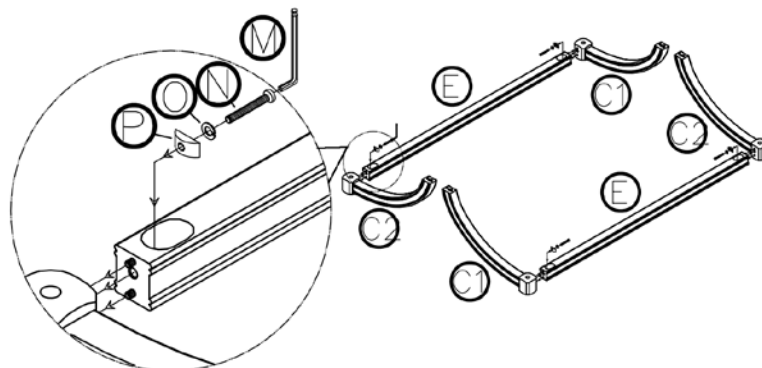
10. Repeat the above steps #1- #6.
11. Insert 1 Long Bolt (L) into the female insert of each Short and Long Post (A&B), as seen in the illustration below.
12. Tighten by hand until snug.



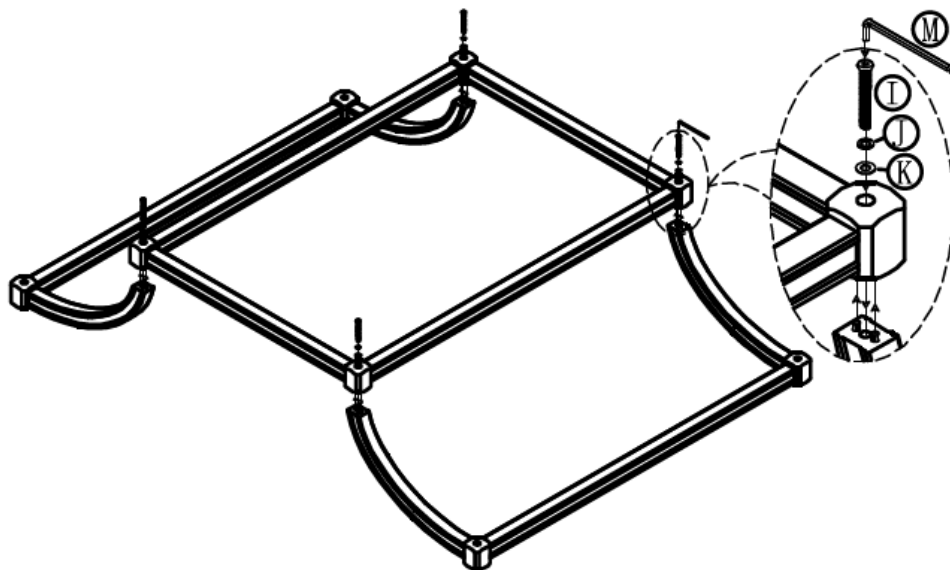
13. Attach Long Horizontal Rail (E) to Short Horizontal Rail (D) by aligning the pre-fixed wooden dowels at the end of Long Horizontal Rail (E) to the pre-drilled holes at the end of Short Horizontal Rail (D).
14. Insert 1 set of Bolt (N), Spring Washer (O) and Half Moon Washer (P) into each pre-drilled holes on Long Horizontal Rail (E) to the pre-fixed insert nut on Short Horizontal Rail (D), as seen in illustration below.
15. Tighten with Allen Key (M).



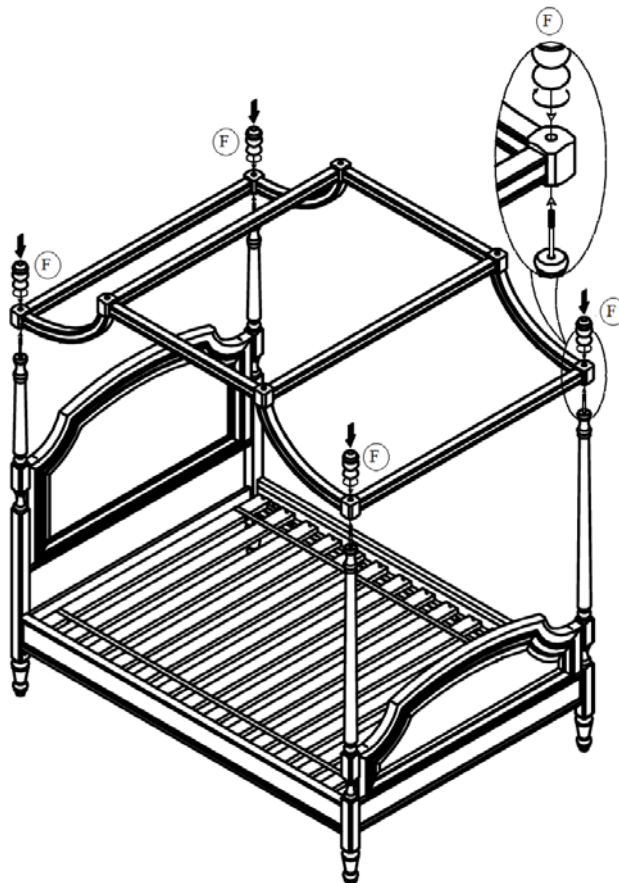
16. Attached Long Horizontal Rail (E) to Curved Rail (C1&C2) by aligning the pre-fixed wooden dowels at the end of Long Horizontal Rail (E) to the pre-drilled holes at the end of Curved Rail (C1&C2).
17. Insert 1 set of Bolt (N), Spring Washer (O) and Half Moon Washer (P) into each pre-drilled holes on Long Horizontal Rail (E) the pre-fixed insert nut on Curved Rail (C1&C2) as seen in illustration below.



18. Tighten with Allen Key (M).
19. Attach the canopy rails (STEP 14) to the curved rails (STEP 17).
20. Secure using 4 sets of: Allen Bolt (I), Spring Washer (J), and Flat Washer (K) through the holes on the 4 wooden blocks of the Short Horizontal Rail (D) and to the holes on the Curved Rail (C1 & C2), as seen in the illustration below.

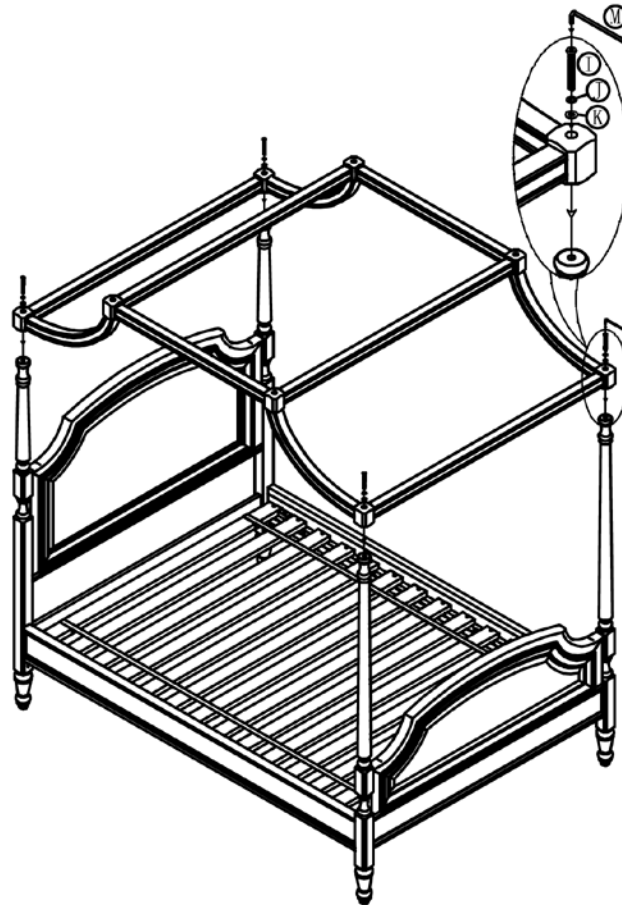


21. Tighten with Allen Key (M).
22. Place the assembled canopy onto the Long and Short Posts (A&B) of the Bed.
23. Slide the 4 corners of the Canopy through each Long Bolt (L) on the Posts (A&B).
24. Attach 4 Finials (F) onto the Canopy and then secure them onto Long Bolt (L), as seen in the illustration below.
25. Tighten by hand until snug.



**Option 3: Attached canopy bed without finial:**

26. Release Finial (F) from the Canopy.
27. Insert Allen Bolt (I), Spring Washer (J), and Flat Washer (K) into the holes on the wooden blocks of Curved Rail (C) and through the holes on each Post (A&B), as seen in the illustration below.
28. Tighten with Allen Key (M).



**Care Instructions:**

- Dust often using a clean, soft, dry, and lint-free cloth.
- Blot spills immediately and wipe with a clean, damp cloth.
- We do not recommend the use of chemical cleansers, abrasives, or furniture polish on our lacquered finish.
- Hardware may loosen over time. Periodically check to make sure all connections are tight.  
Re-tighten if necessary.