

**COSTA CANOPY BED  
QUEEN**

**Important Safety Instructions:**

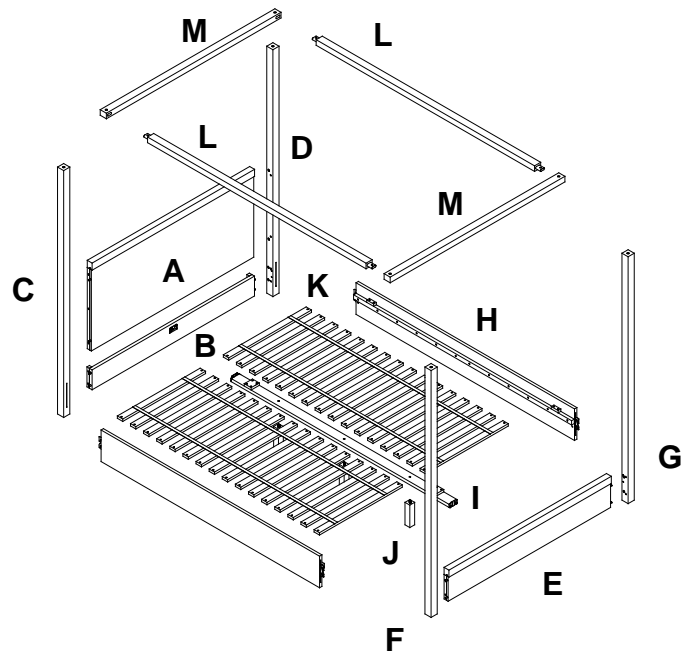
- Please read all instructions carefully before assembling.
- For your safety, assembly by two or more adults is strongly recommended.
- Keep instructions for future use.
- Use only vendor supplied hardware to assemble. Using unauthorized hardware could jeopardize the structural integrity of the item.

**Pre-assembly:**



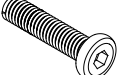
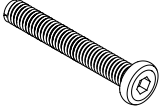
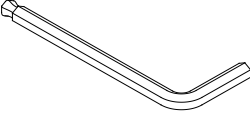
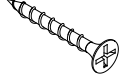

- Remove all parts and hardware from the box and lay out on a clear carpeted or scratch-free work surface, as this will avoid damaging parts during assembly. The shipping box provides an ideal work surface.
- Do not dispose of any packaging or contents of the shipping carton until assembly is completed to avoid accidentally discarding small parts or hardware.
- Use the parts and hardware lists below to identify and separate each of the pieces included.
- The illustrations provided allow for easier assembly when used in conjunction with the assembly instructions.
- The use of power tools to aid in assembly is not recommended. Power tools can damage hardware and split wood.

**Parts Included:**

A	Headboard	1x
B	Connecting panel	1x
C	Left headboard post	1x
D	Right headboard post	1x
E	Footboard	1x
F	Left footboard post	1x
G	Right footboard post	1x
H	Side rail	2x
I	Center support rail	1x
J	Support leg	3x
K	Slat Roll	2x
L	Long canopy rail	2x
M	Short canopy rail	2x

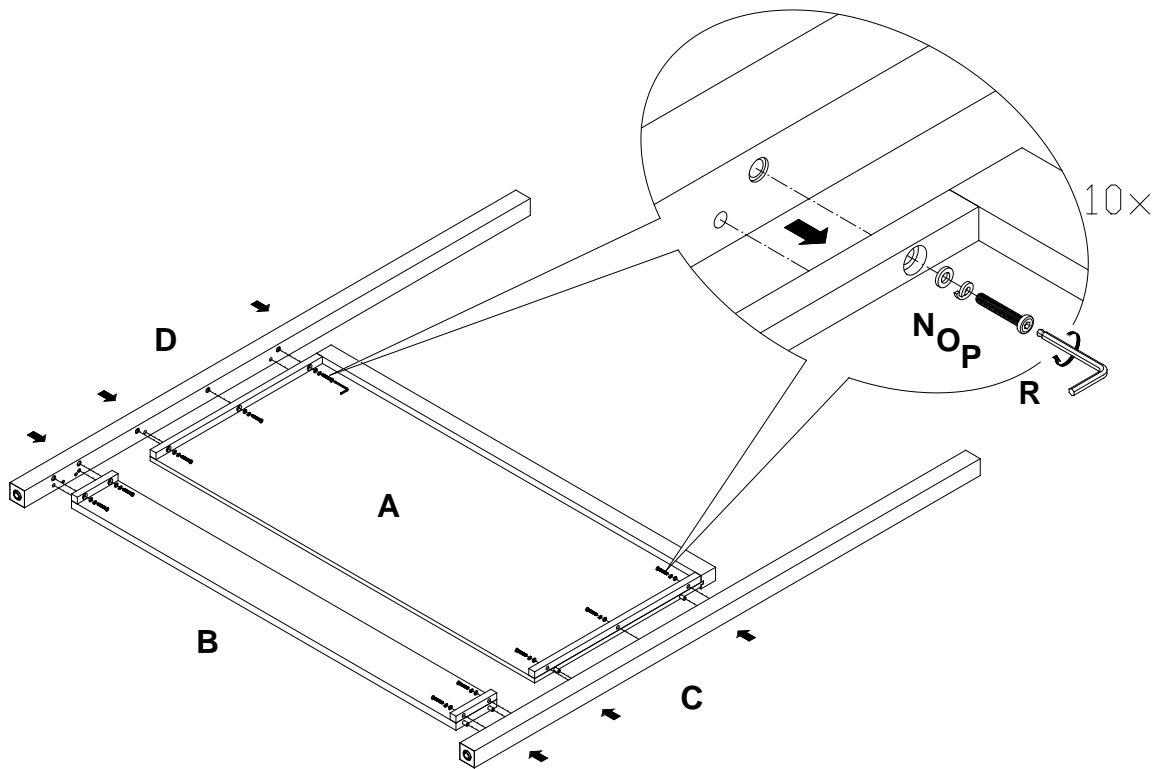


**Hardware Included:**

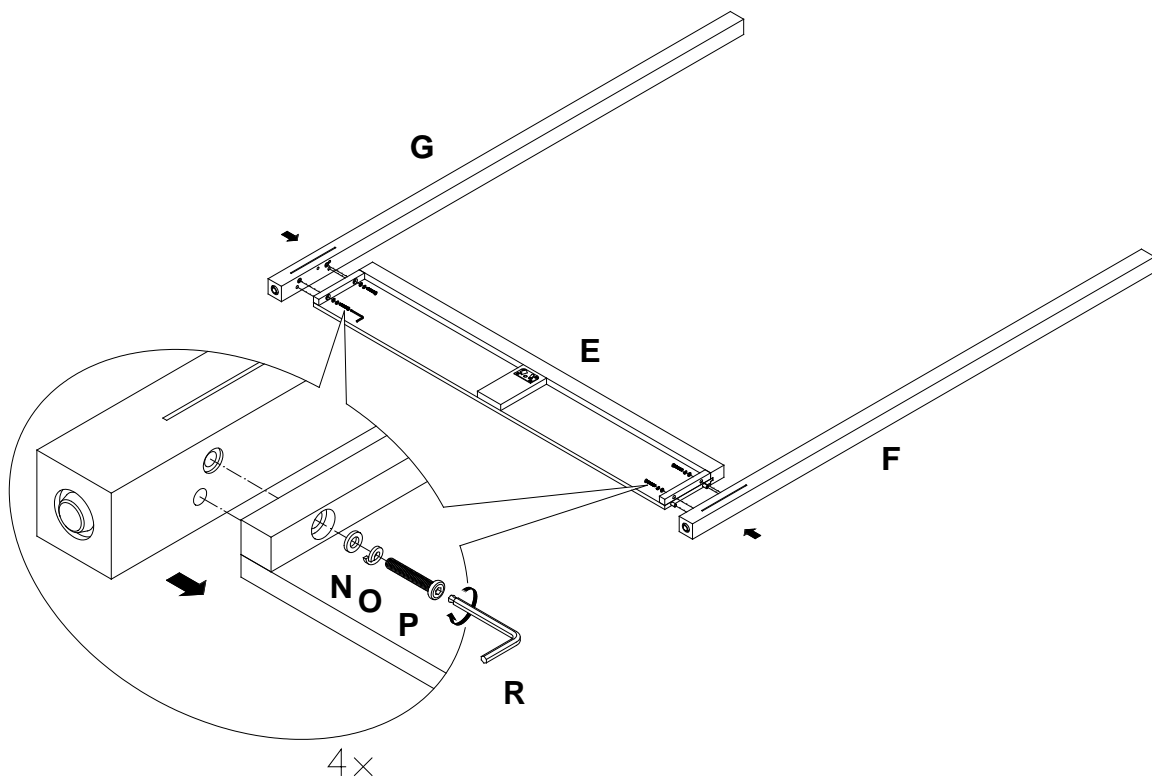
(N)-Flat washer 	(O) - Spring washer 	(P) - Short Allen bolt  M8x40 mm	(Q) - Long Allen bolt  M8x60 mm
18x	18x	14x	4x
(R) - Allen key 	(S)-Wood Screw  4x30 mm	<b>Tools Required (Not Included):</b> Phillip Head Screwdriver 	
1x	64x		

**Assembly Instruction Steps:**

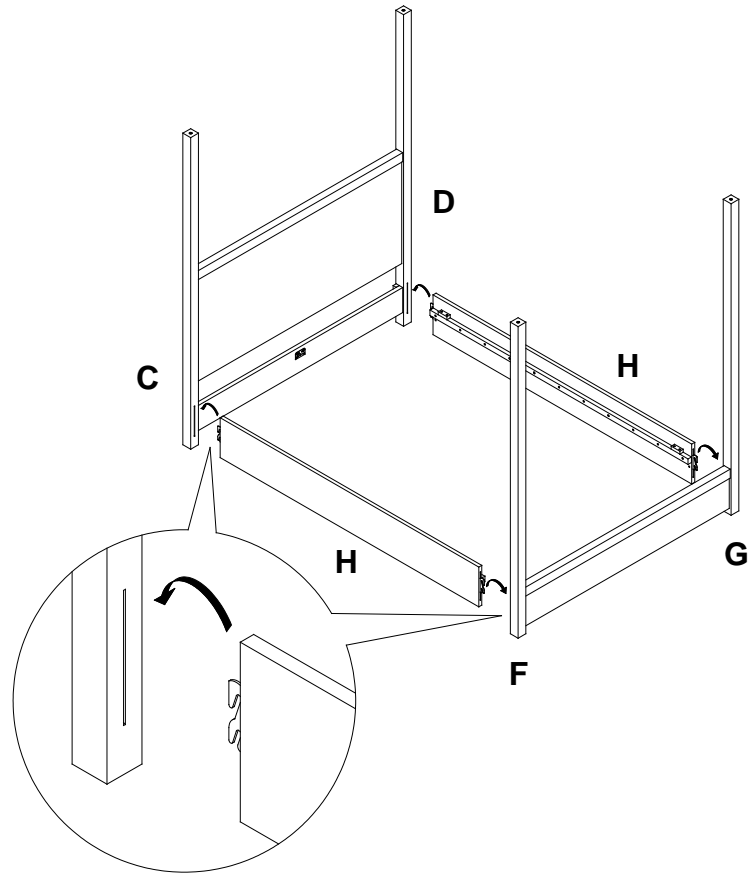
1. Attach the left and right headboard post (C&D) to the headboard and connecting panel (A&B) by aligning the pre-drilled holes and exposed wooden dowels on the post and panels.
2. Secure with flat washer (N), spring washer (O) and short Allen bolt (P) using Allen key (R).



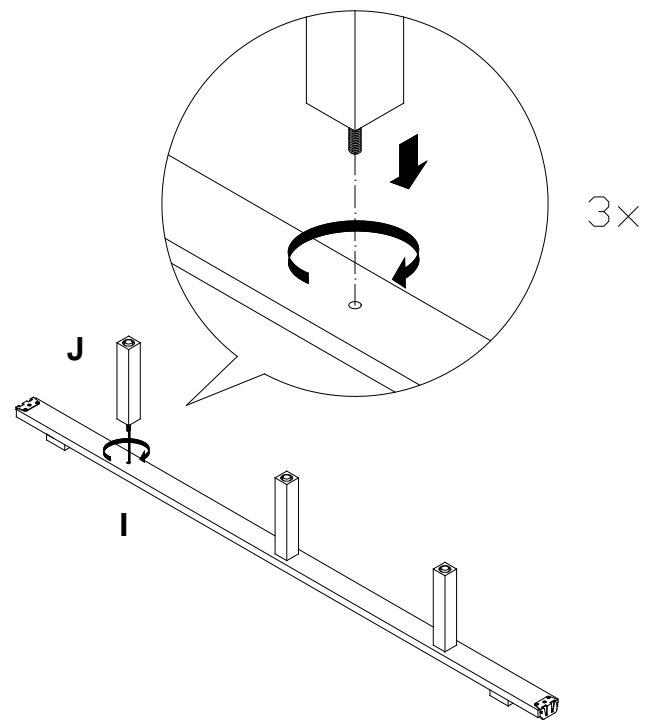
3. Repeat above step to attach the left and right footboard post (F&G) to footboard (E).



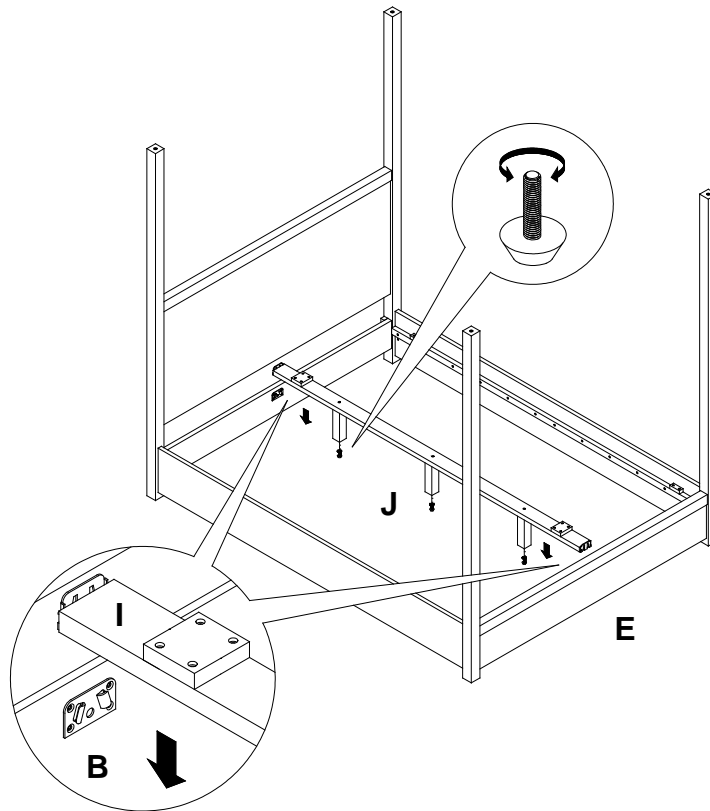
4. Attach the side rail (H) to headboard and footboard post (C,D,F&G) by inserting the metal hook into the corresponding slot on the posts. Press down to secure.



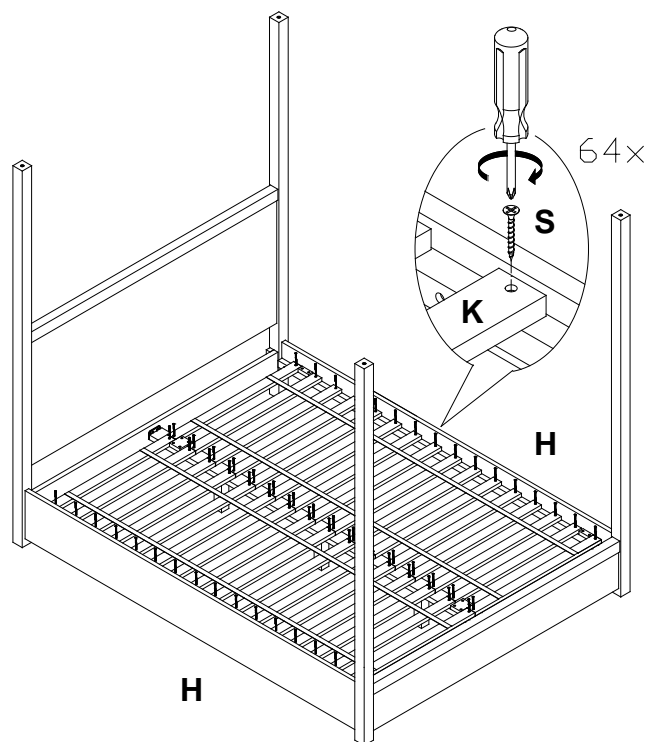
5. Attach the support legs (J) to center support rail (I).



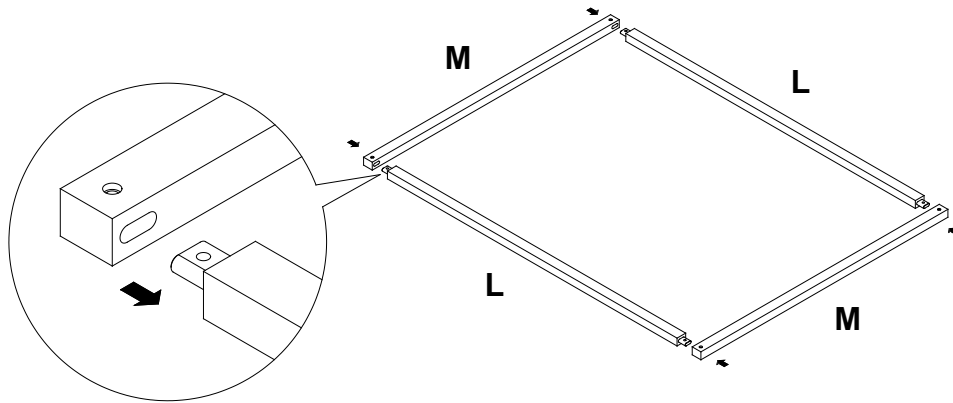
6. Attach the center support rail with support leg (I&J) to the connecting panel and footboard (B&E) by inserting the metal bracket at tow ends of the rail onto the correspondence metal plate. Adjust the levelers under the support legs (J) if need.



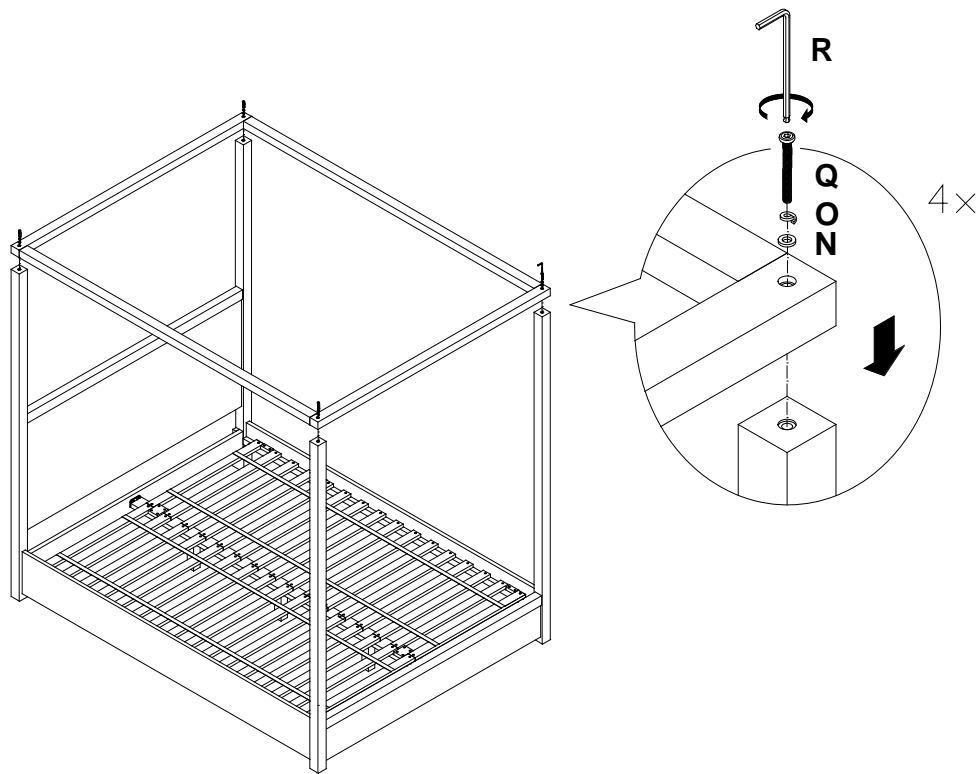
7. Roll out the slat rolls (K) on the inner side of side rails (H). Secure with wood screw (R) using a Phillip Head Screwdriver.



8. Attach the long and short rails (L&M) by inserting the exposed wood tenon into the pre-drill holes to build up the canopy frame.



9. Slowly place the canopy frame on the posts.  
10. Aligning and secure the canopy frame with flat washer (M), spring washer (N) and long Allen bolt (P) using Allen key (Q).



Assembly is completed.

**Care Instructions:**

- Dust often using a clean, soft, dry and lint-free cloth.
- Blot spills immediately and wipe with a clean, damp, cloth.
- We do not recommend the use of chemical cleansers, abrasives or furniture polish on our lacquered finish.
- Hardware may loosen over time. Periodically check to make sure all connections are tight.  
Re-tighten if necessary.

Thank you for your purchase  
Stores | catalog