



Blossom Flushmount Assembly Instructions

CAUTION:

- **BEFORE INSTALLING FIXTURE, MAKE SURE THE POWER TO THE CIRCUIT IS TURNED OFF AT THE MAIN FUSE BOX / CIRCUIT BREAKER UTILITY BOX.**
- **A PROPER JUNCTION BOX MUST BE INSTALLED BY A PROFESSIONAL ELECTRICIAN BEFORE THIS INSTALLATION, WHICH IS APPROVED FOR UP TO 50 POUNDS LIGHTING FIXTURE LOAD.**

Important Safety Instructions:

- We strongly recommend that a professional electrician install all direct wire fixtures.
- THIS PRODUCT MUST BE INSTALLED IN ACCORDANCE WITH THE APPLICABLE INSTALLATION CODES BY A PERSON FAMILIAR WITH THE CONSTRUCTION AND OPERATION OF THE PRODUCT AND THE HAZARDS INVOLVED.
- The lighting fixture is meant for indoor use. It must be connected only to 3-wire, single-phase electrical supply systems (provided with Ground wire or equivalent protection system).
- This fixture has been rated for up to two (2) **40-watt maximum TYPE B standard (candelabra) incandescent light bulbs** (not included) or two (2) **9-watt compact fluorescent light bulbs** (not included). To avoid the risk of fire, do not exceed the recommended wattage.
- The lighting fixture is meant for indoor use, DRY LOCATIONS ONLY.
- **Save these instructions.**

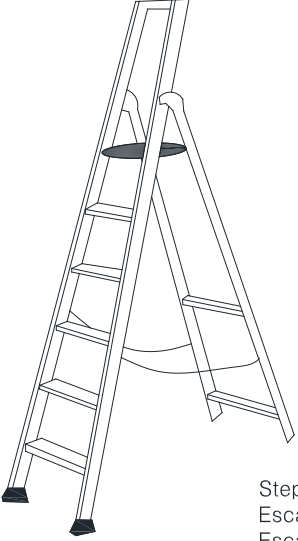
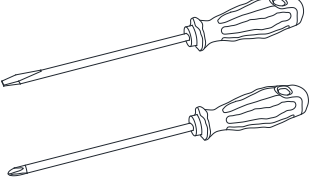
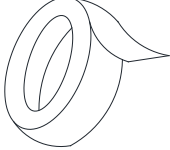
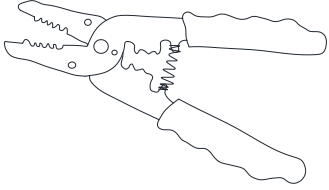
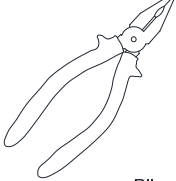
WARNING:

- **To reduce the risk of fire, electrical shock or personal injury, always turn off light fixture and allow it to cool prior to replacing light bulb.**
- **Do not touch bulb when fixture is turned on. Do not look directly at lit bulb.**
- **Keep flammable materials away from lit bulb.**
- **This lighting fixture contains lead, a chemical known to the State of California to cause cancer, birth defects and other reproductive harm. Wash hands after installing, handling, cleaning or otherwise touching this light fixture.**
- **This product contains DEHP, a phthalate chemical known to the State of California to cause birth defects and other reproductive harm.**

Pre-assembly:



- Remove all parts and hardware from box along with any plastic protective packaging.
- Do not discard any contents until after assembly is complete to avoid accidentally discarding small parts or hardware.
- For your safety and convenience, one additional adult is needed to assist in mounting this fixture (Refer to page 3 to last page)

Tools Required: (not included):

 <p>Step Ladder Escabeau Escalera</p>	 <p>Phillips Head, Flat Blade Screwdrivers Tournevis à tête Phillips et à tête plate Destornilladores Cabeza Phillips y Destornilladores Cabeza Plana</p>	 <p>Electrical tape Ruban isolant Cinta Electrica.</p>
 <p>Wire Cutter/Stripper Pince coupe-fil/ à dénudé Cortador de Cable</p>	 <p>Plier Pince Alicates</p>	

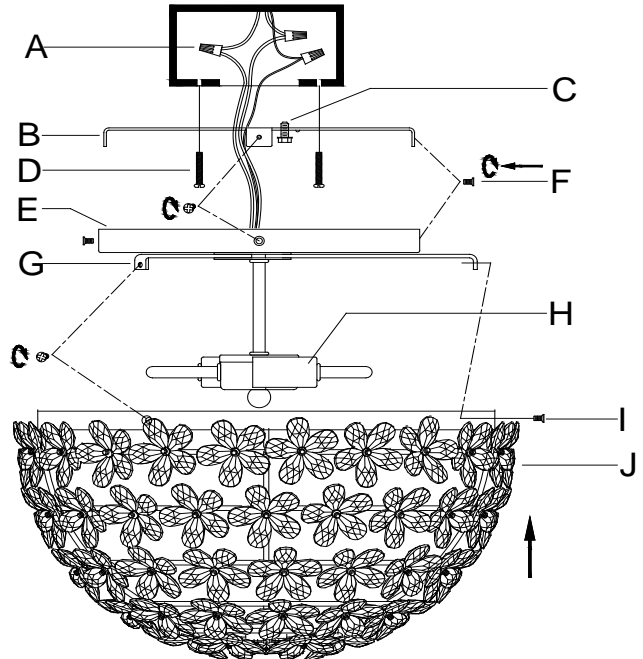
Parts Included:

- (B) Mounting Plate (1)
- (C) Green Ground Screw (1)
- (E) Canopy (1)
- (F) Canopy Screws (4)
- (G) Spider (1)
- (H) Sockets (2)
- (I) Frame Screws (3)
- (J) Frame (1)

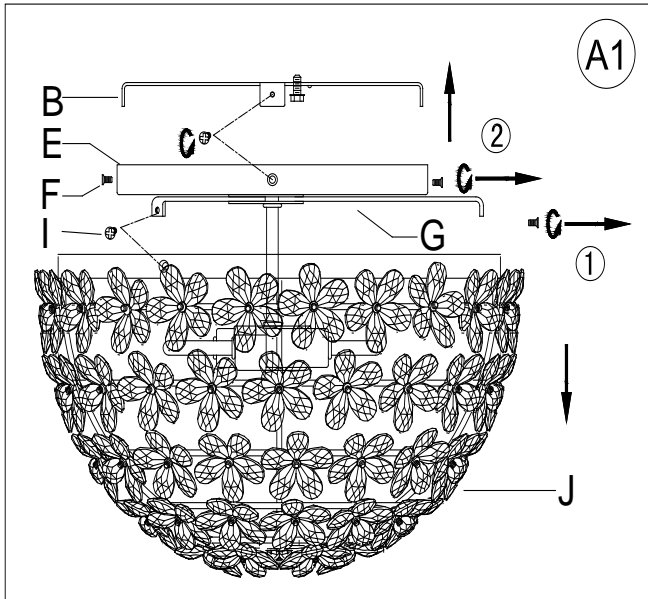
<p>A</p>  <p>X3</p>	<p>D</p>  <p>X3</p>
--	--

Hardware Enclosed:

- (A) Plastic Wire Nut Connectors (3)
- (D) Mounting Screws (3) (includes (1) extra)

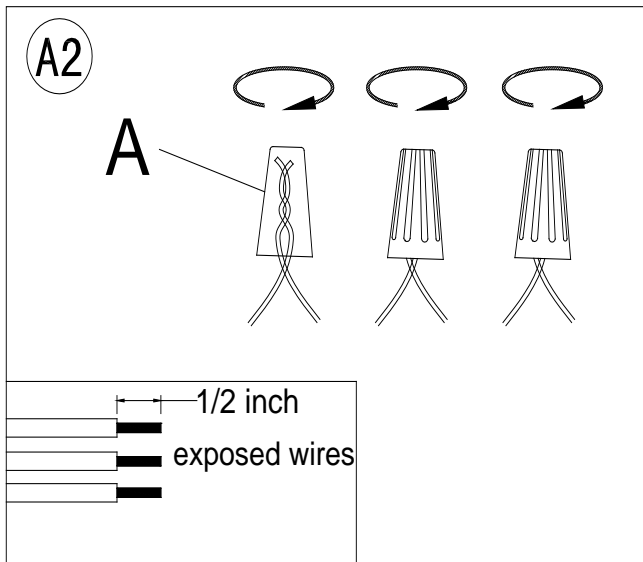


Assembly Instructions:

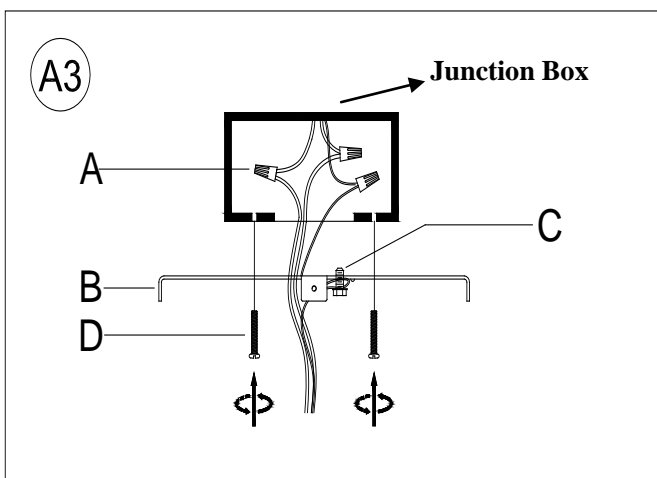


1. Separate the Canopy (E) from the Frame (J) by removing the 3 Frame Screws (I) anti-clockwise

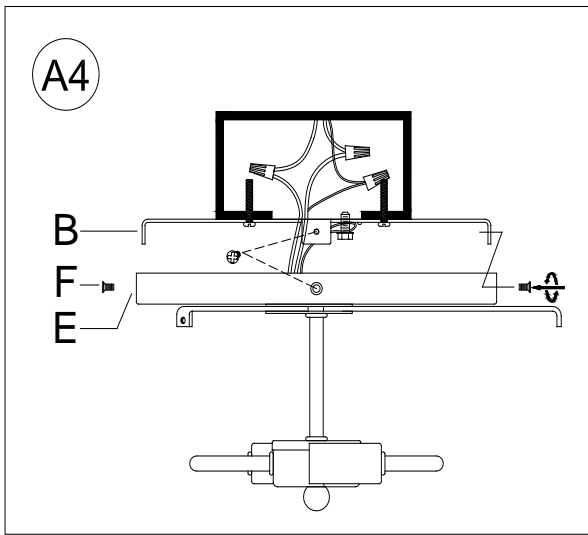
2. Separate the Mounting Plate (B) from the Canopy (E) by removing the 4 Canopy Screws (F)



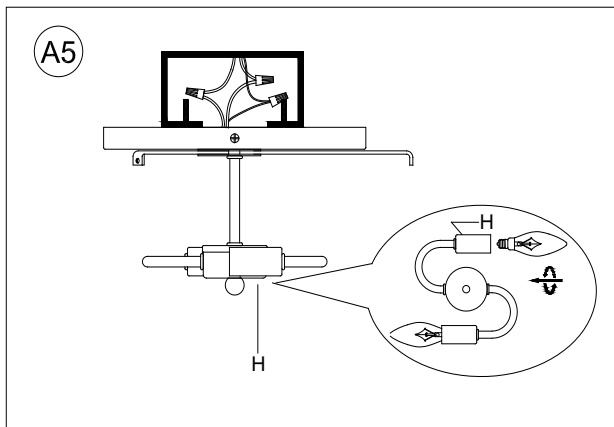
Please read the section "To Make the Wire Connections" Below.



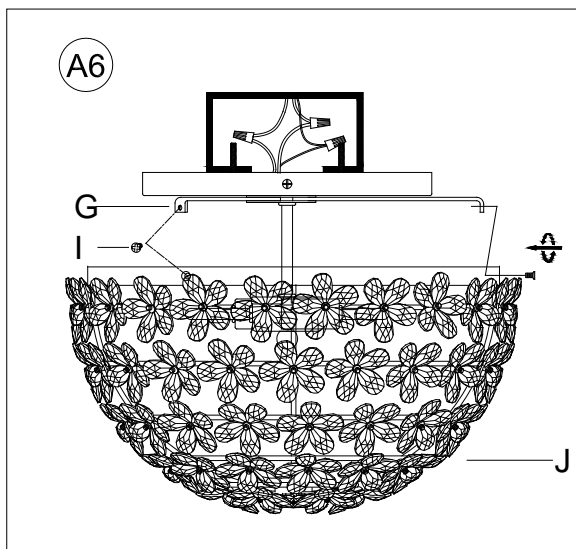
Attach the Mounting Plate (B) to the ceiling outlet box, use a screwdriver to tighten each screw until the Mounting Plate (B) is firmly secure to the Junction Box.



1. Position the Canopy (E) over the Mounting Plate (B)
2. Secure the Canopy (E) by tightening 4 Canopy Screws (F)



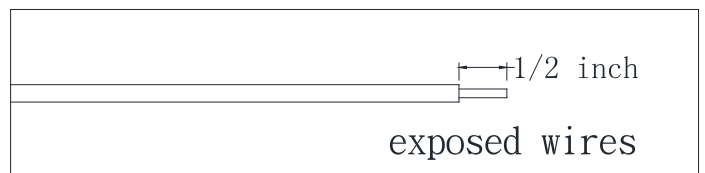
Insert the specified light bulbs into the Socket (H).



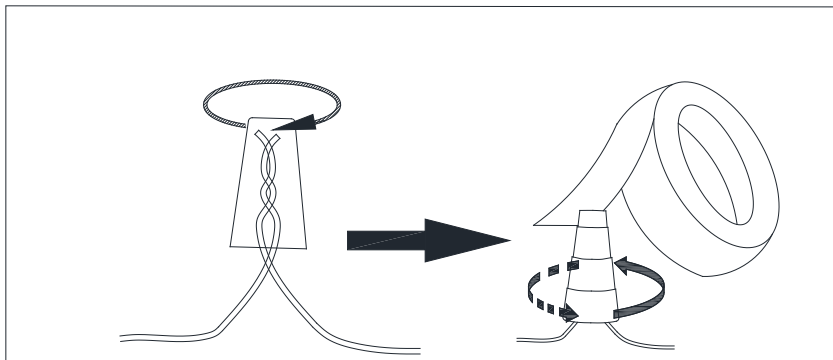
Position the Frame (J) over the Spider (G) aligning the 3 holes on the Spider (G) with 3 holes on the upper ring of Frame (J). Insert 3 Frame Screws (I) and tighten till secure.

To Make the Wire Connections:

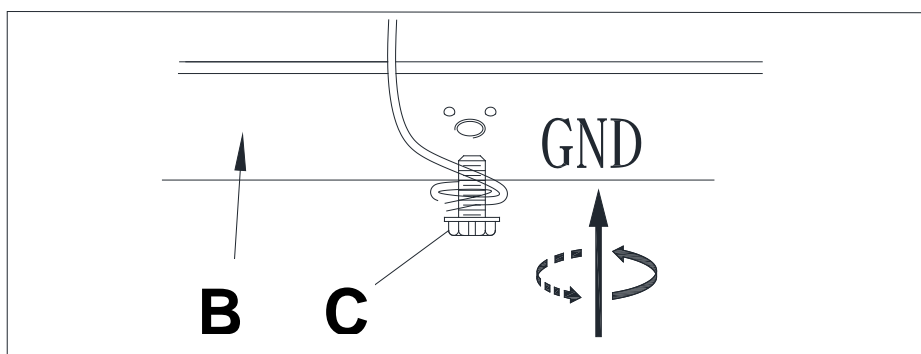
1. Gently pull the wiring from the ceiling junction box and allow wires to hang. The HOT or LIVE wire is usually black. The NEUTRAL wire is usually white. Check to see if there is a ground wire that is usually green or green with a yellow stripe or exposed copper metal wire. If needed, use a pair of wire strippers to remove about 1/2 inch of insulation from each wire.



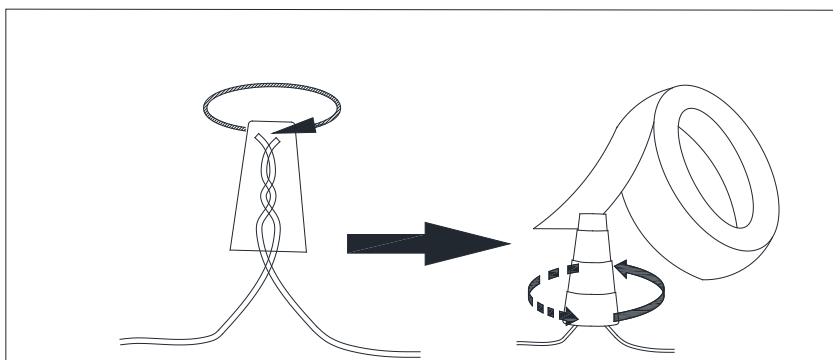
- Carefully inspect the fixture wires. The NEUTRAL FIXTURE WIRE is White. The HOT FIXTURE WIRE is Black. The BARE COPPER WIRE is the GROUND WIRE. If you have any doubt and cannot identify the power-supply wires with confidence, then we recommend that you ask an electrician and that you not continue with the installation.
- With the help of another person to hold the weight of the fixture, attach the fixture wires to the junction box wires as shown in the illustrations.



Connect the ground fixture wire to the ground J-Box Wire and wrap the connection with electrical tape



If junction box DOES NOT has a GROUND WIRE, wrap the fixture's bare ground wire around the Green Ground Screw (C) and insert the screw into the Mounting Plate (B), marked as "GND"



Connect the neutral fixture wire to the neutral J-Box wire first and then connect the Hot fixture wire to the hot J-Box Wire. Wrap these connections with electrical tape

NOTE:

**IT IS IMPERATIVE THAT THE JUNCTION BOX IN YOUR HOME BE PROPERLY GROUNDED!
DO NOT REVERSE THE HOT AND NEUTRAL CONNECTIONS OR SAFETY WILL BE COMPROMISED.**

- Gently tuck the wire connections neatly into the ceiling junction box.

Care instructions:

- Wipe clean with a soft, dry cloth or static duster.
- Always avoid the use of harsh chemicals or abrasive cleaners as they may cause damage to the fixture's finish.

Thank you for your purchase
Stores | catalog | www.westelm.com
USA 888-922-4119

US/CN