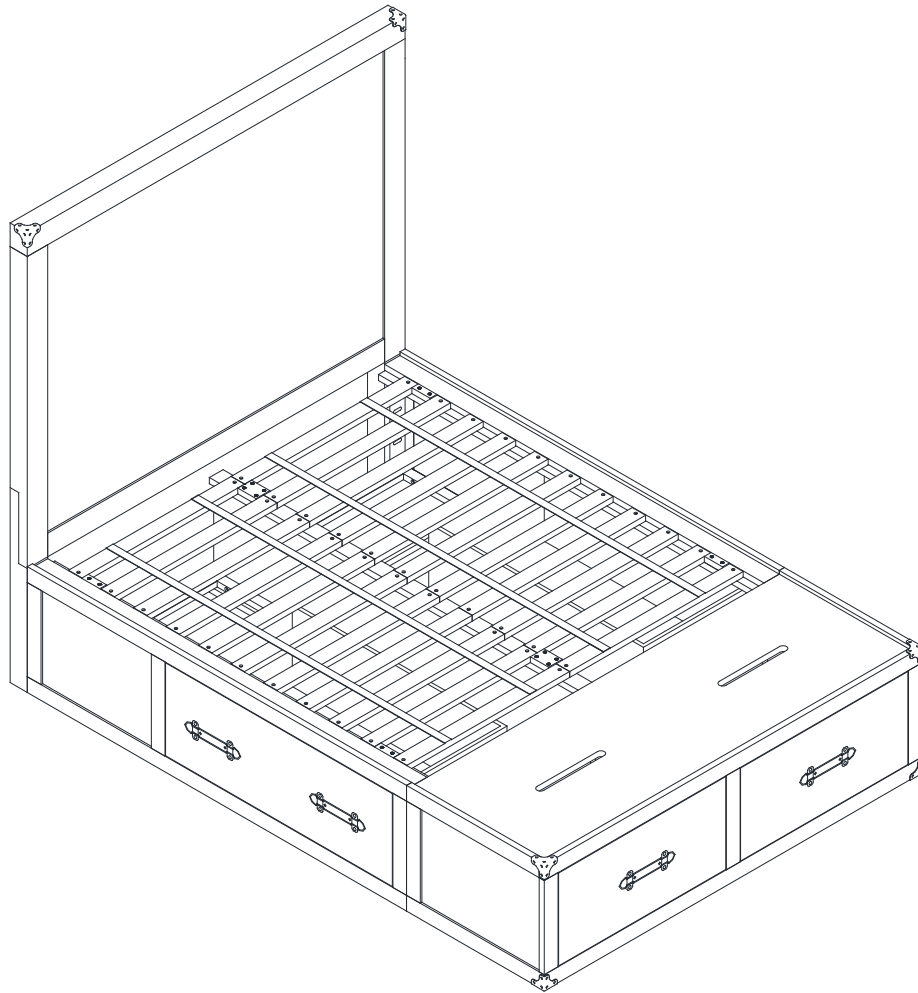


TRAVELER QUEEN BED

ASSEMBLY INSTRUCTIONS



Important Safety Instructions:

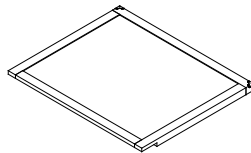
- Please read all instructions carefully before assembling this bed.
- For your safety, assembly by two or more adults is strongly recommended.
- Keep these instructions for future use.
- Use only vendor-supplied hardware to assemble. Using unauthorized hardware could jeopardize the structural integrity of the item.

Pre-assembly:

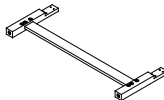
- Remove all parts/hardware from the box and place them on a carpeted or scratch-free work surface, as this will avoid damaging parts during assembly. The shipping box provides an ideal work surface.
- To avoid accidentally discarding small parts or hardware, do not dispose of any packaging or contents of the shipping carton until assembly is complete.
- Use the parts/hardware lists below to identify and separate each of the pieces included.
- The illustrations provided allow for easier assembly when used in conjunction with the assembly instructions.
- The use of power tools to aid in assembly is not recommended. Power tools can damage hardware and split wood.

Parts Included:

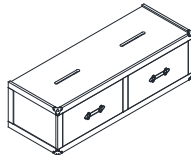
(A1) Headboard panel – 1x



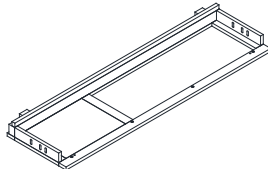
(A2) Leg and Stretcher – 1x



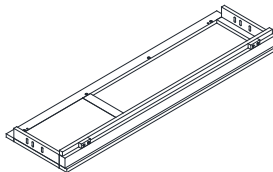
(B) Footboard – 1x



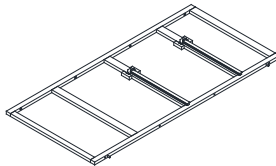
(C) Right side rail – 1x



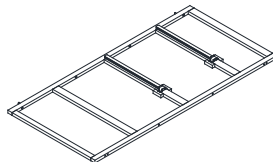
(D) Left side rail – 1x



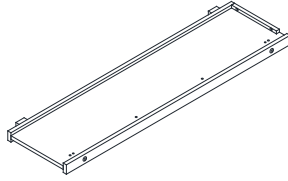
(E) **Left** bottom frame – 1x



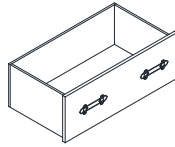
(F) **Right** bottom frame – 1x



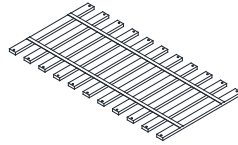
(G) Center panel – 1x





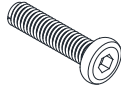
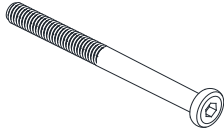
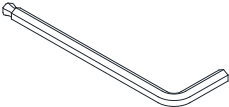


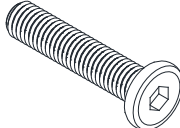
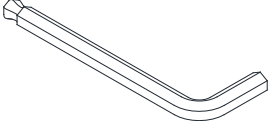
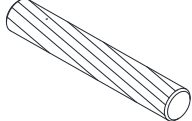
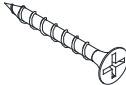
(H) Drawer – 2x



(I) Slat roll – 2x



Hardware Enclosed:

(J) Flat washer- 16x 	(K) Lock washer - 16x 	(L) Allen bolt - 12x (M6x40mm) 	(M) Long Allen bolt - 4x (M6x70mm) 
(N) Allen key (4mm) - 1x 	(O) Large flat washer - 20x 	(P) Large Lock washer - 20x 	(Q) Large Allen bolt -20x (M8x50mm) 
(R) Allen key (5mm) - 1x 	(S) Wood dowel - 2x 	(T) Wood screw - 44x (4x30mm) 	

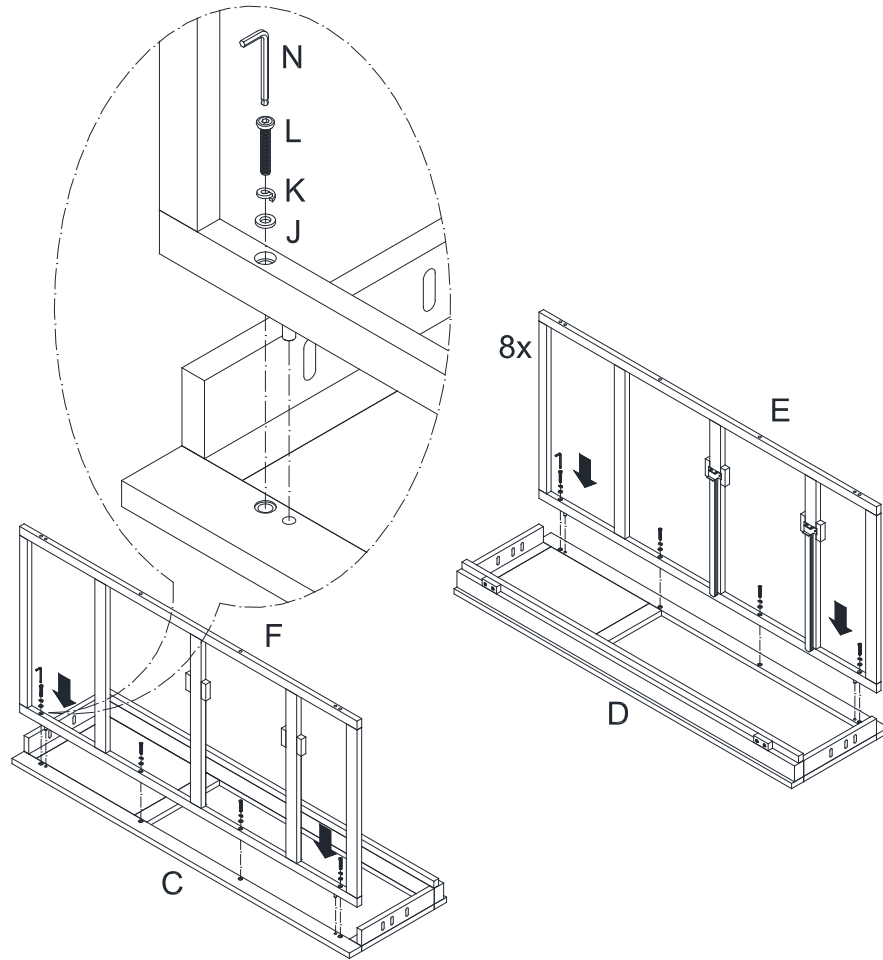
Tools Required (not included):



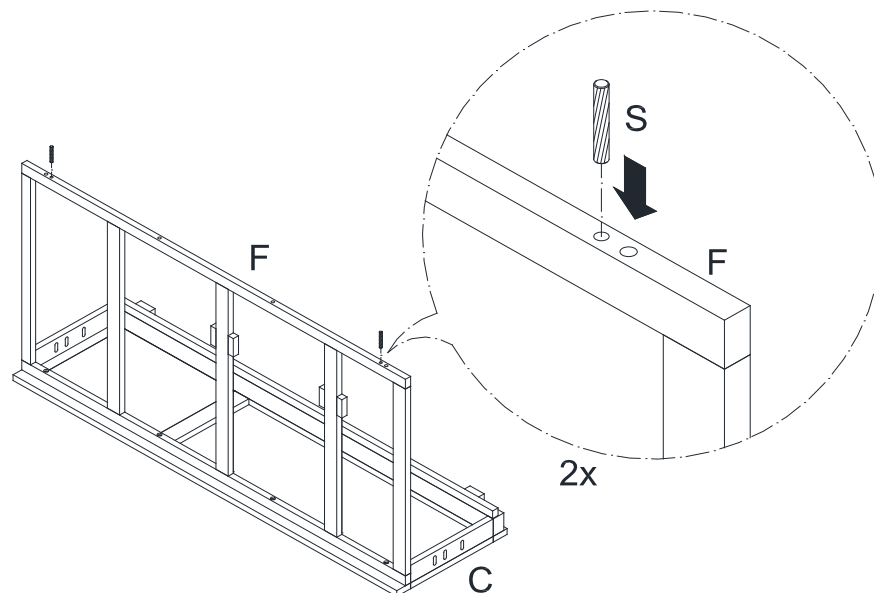
Philips Head Screwdriver

Assembly Instruction Steps:

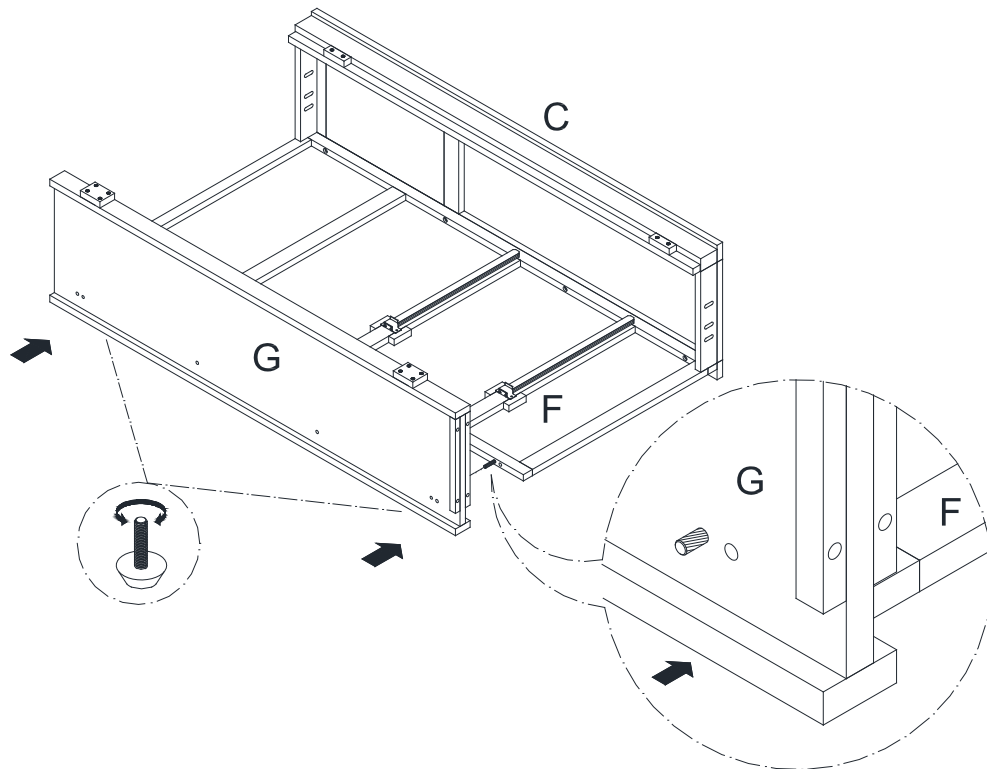
1. Attach right bottom frame (F) to the right side rail (C) by inserting the exposed dowels on the frame into the pre-drilled holes on the side rail, as seen in the illustration below. Secure by flat washer (J), lock washer (K), Allen bolt (L) using Allen key (N).
2. Repeat above steps to attach left bottom frame (E) to the left side rail (D).



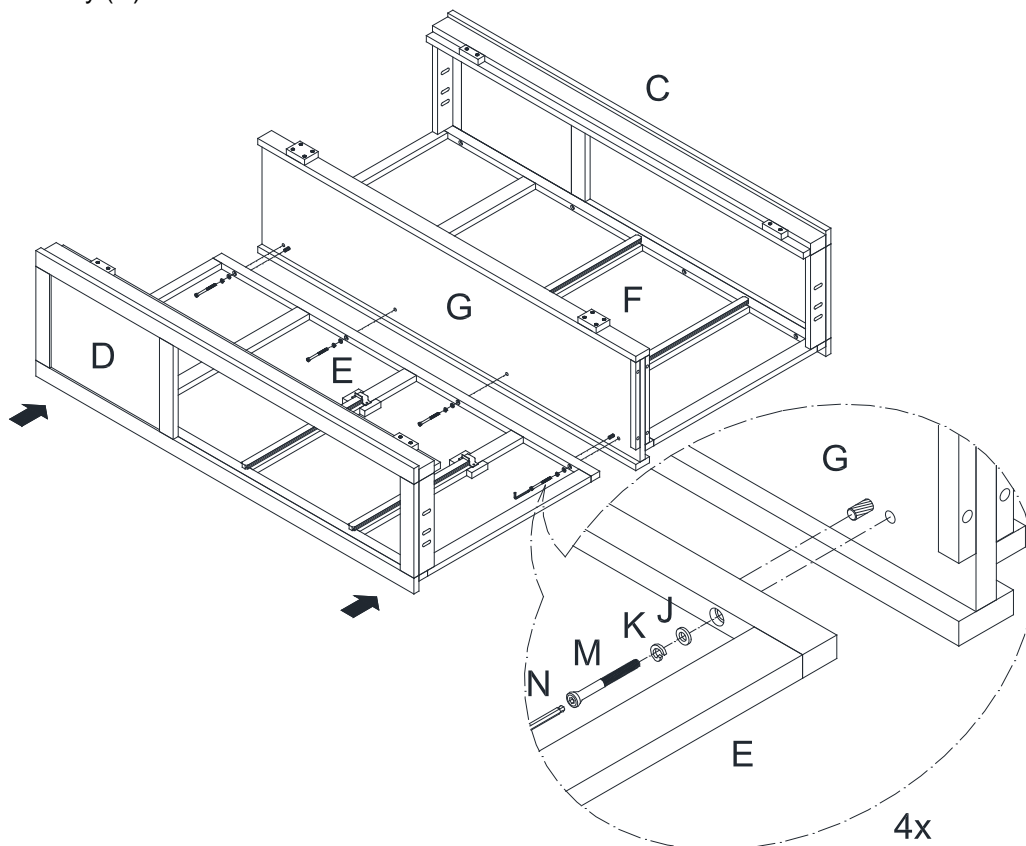
3. Insert the wood dowel (S) into pre-drilled holes on the right bottom frame (F).



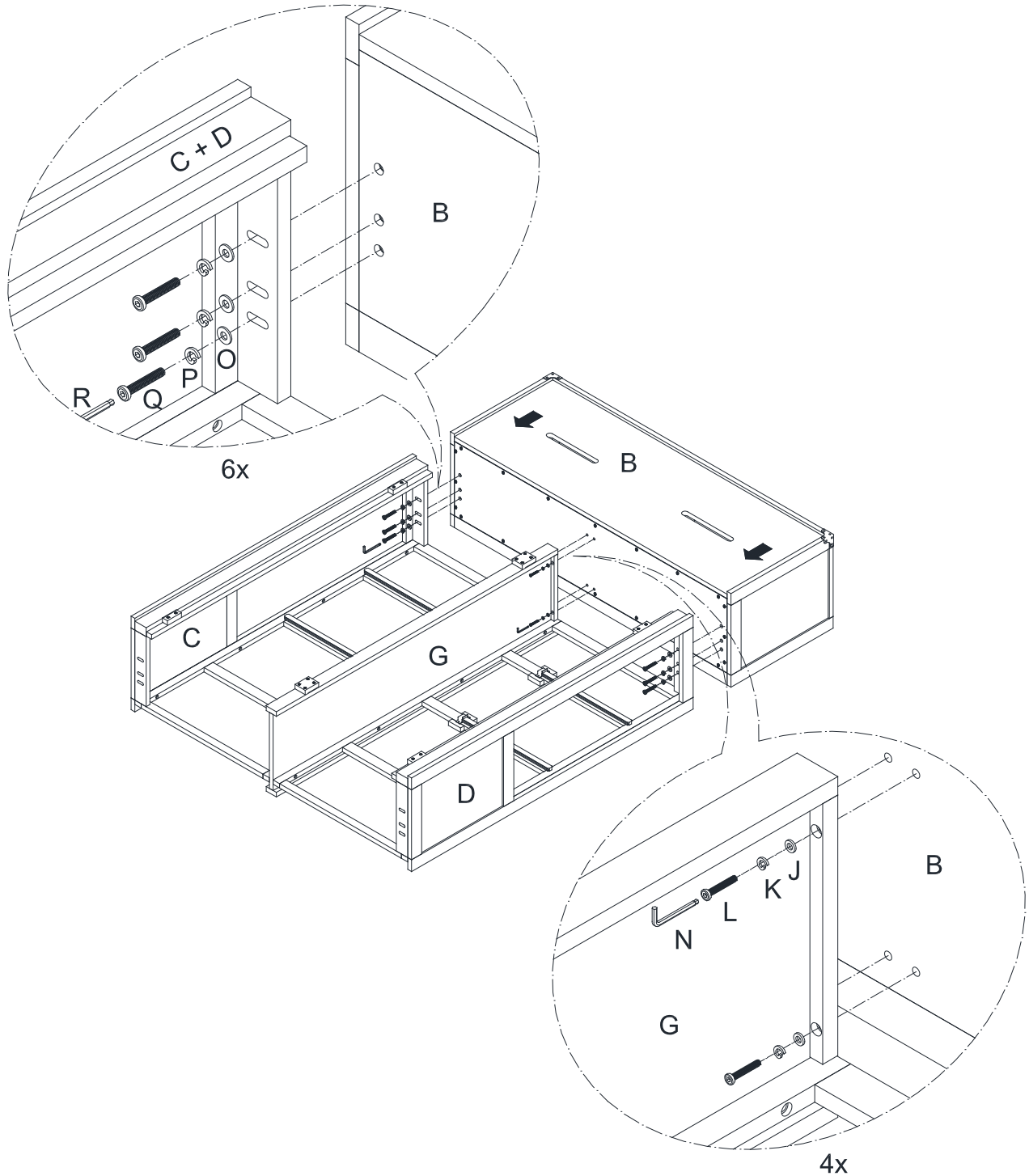
4. Attach center panel (G) to the right bottom frame (F) by aligning the pre-drilled hole on the panel with two exposed wood dowels that has just installed to the frame in above step. The dowels will go through the holes on center panel as seen in the illustration below
5. Adjust the levelers (in or out) found under the center panel if it does not sit level.



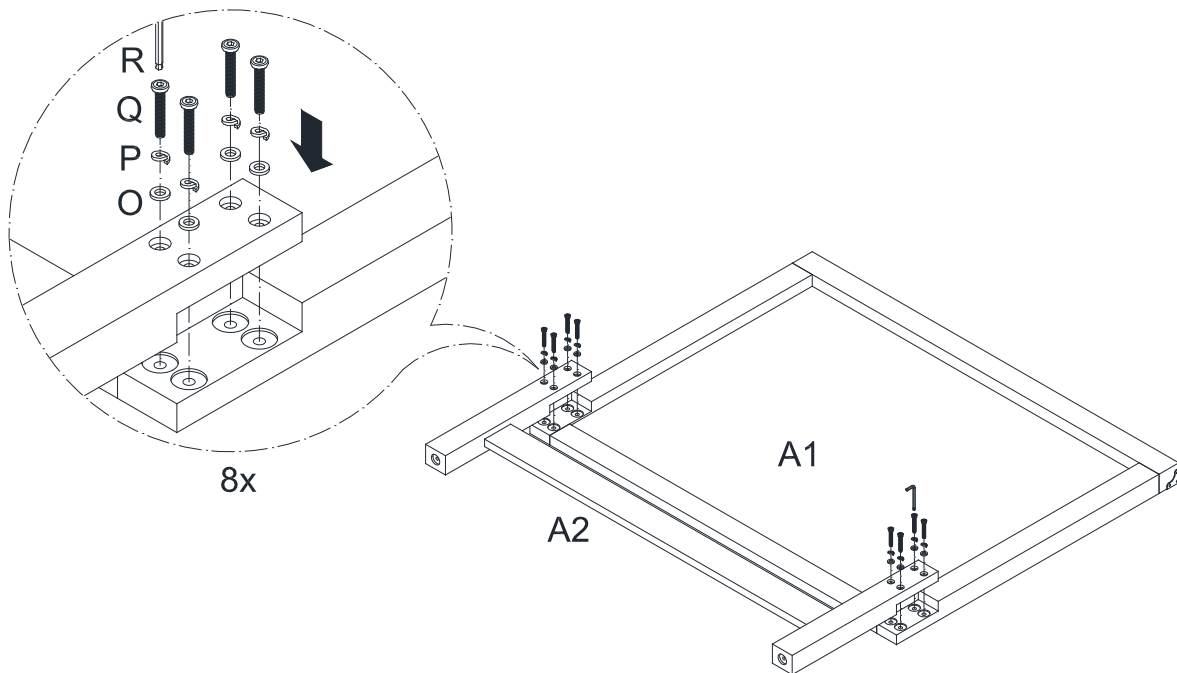
6. Attach the assembled left side rail and left bottom frame to the center panel (G) by aligning the pre-drilled holes on the frame two exposed wood dowels from the center panel that has just been assembled in above step. Secure the bottom frames (E&F) with center panel (G) by using flat washer (J), lock washer (K), and long Allen bolt (M) using Allen key (N).



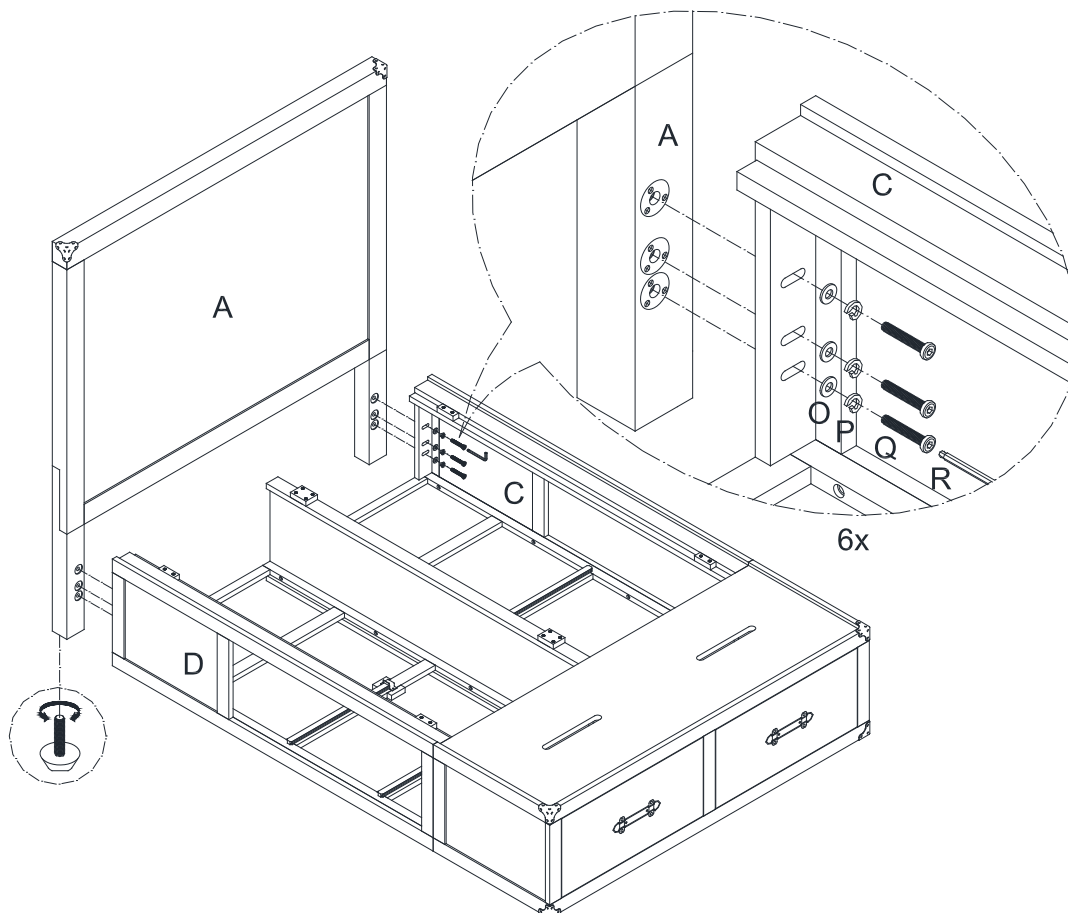
7. Attach footboard (B) to two side rails (C,D) and center panel (G) by aligning the holes of the side rails (C,D) and center panel (G) with the screw inserts on the footboard (B) as shown in the illustration below. Secure the side rails (C,D) with the footboard (B) by large flat washer (O), large lock washer (P), and big Allen bolt (Q) using Allen key-5 mm (R).
8. Secure the center panel (G) with the footboard (B) by flat washer (J), lock washer (K), and Allen bolt (L) using Allen key (N)
9. Adjust the levelers (in or out) found under the footboard if the assembly does not sit level.



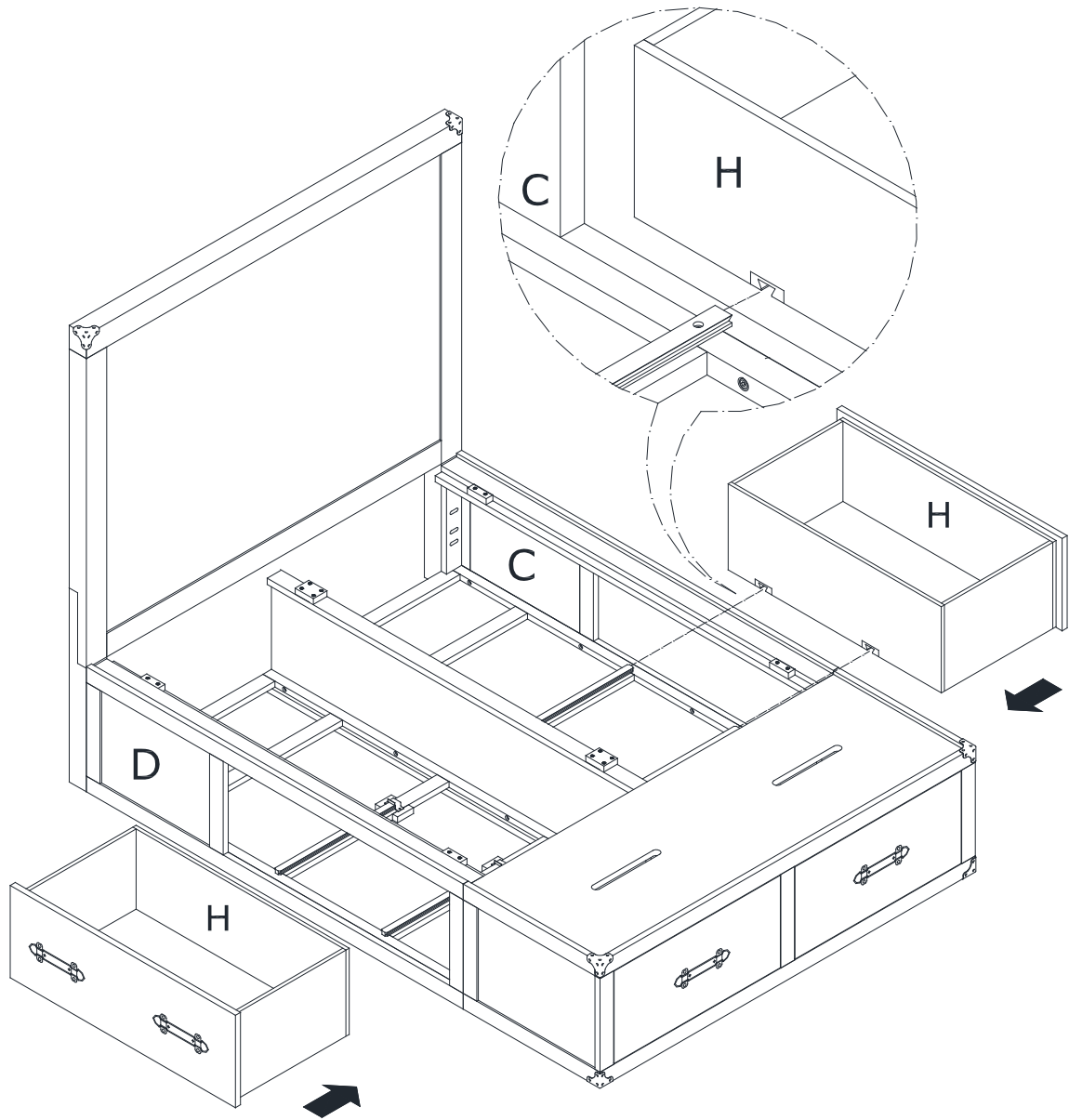
10. Attach the leg with stretcher (A2) to headboard panel (A1) by aligning the L-shape cut-in on the two parts. Secure by large flat (O), large lock washer (P) and large Allen bolt (Q) using Allen key-5mm (R).



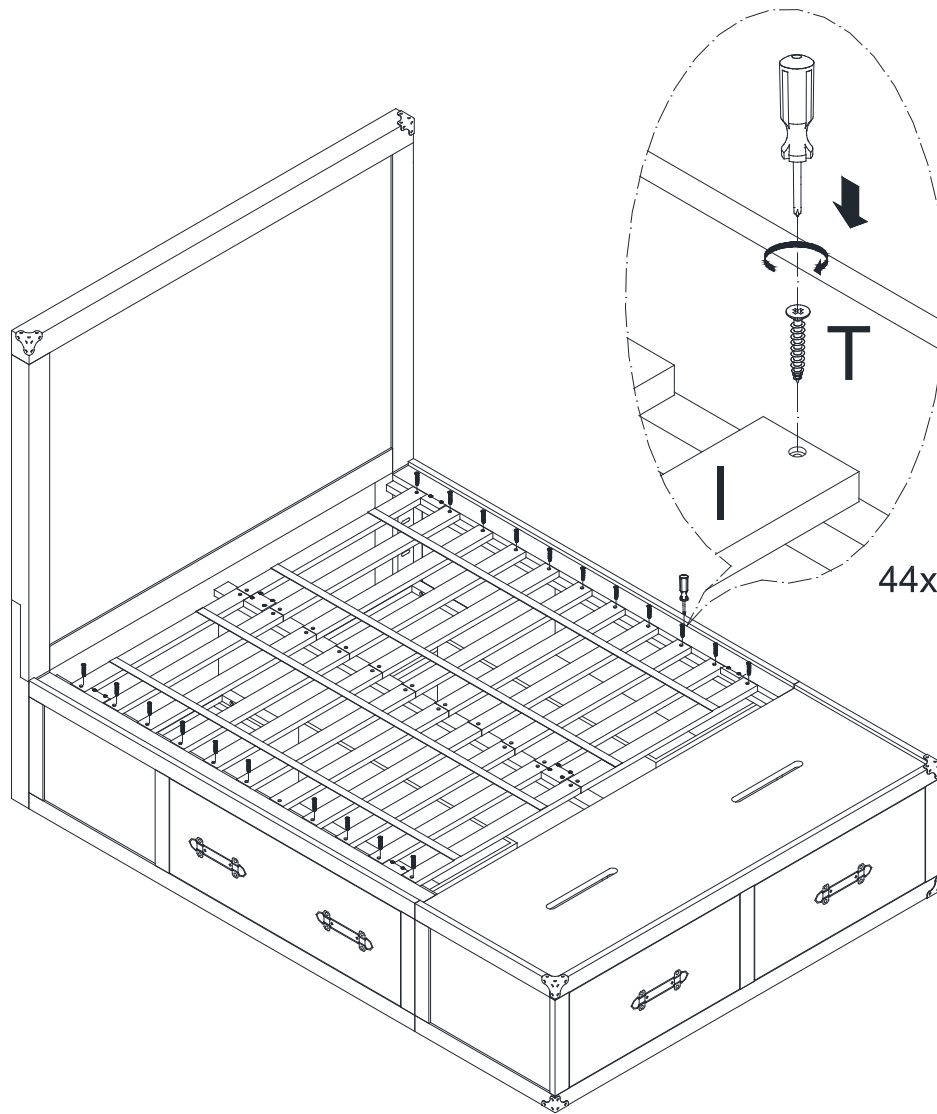
11. Attach headboard with leg and stretcher (A1&A2) to two side rails (C,D) by aligning the pre-drilled holes on side rails with the screw inserts on the headboard (A). Secure the side rails (C,D) with the headboard with leg and stretcher (A1&A2) by using large flat washer (O), large lock washer (P), and big Allen bolt (Q) using Allen key-5mm (R) as shown in the illustration below.
12. Adjust the levelers (in or out) found under the headboard if the assembly does not sit level.



13. Insert the drawers (H) into the side rails (C,D) by aligning the female runner part on the bottom of drawer with male runner part on the bottom frames as seen in the illustration.



14. Roll out the slat roll (I) onto the side rails (C, D) and center panel (G). Secure the slat roll with side rails by wood screws (T) using a Philips Head Screwdriver, as seen in the illustration below.



Assembly is completed

Care Instructions:

- Dust often using a clean, soft, dry, and lint-free cloth.
- Blot spills immediately and wipe with a clean, damp cloth.
- We do not recommend the use of chemical cleansers, abrasives, or furniture polish on our lacquered finish.
- Hardware may loosen over time. Periodically check to make sure all connections are tight. Re-tighten if necessary.

Thank you for your purchase
Stores | catalog | www.pbteen.com