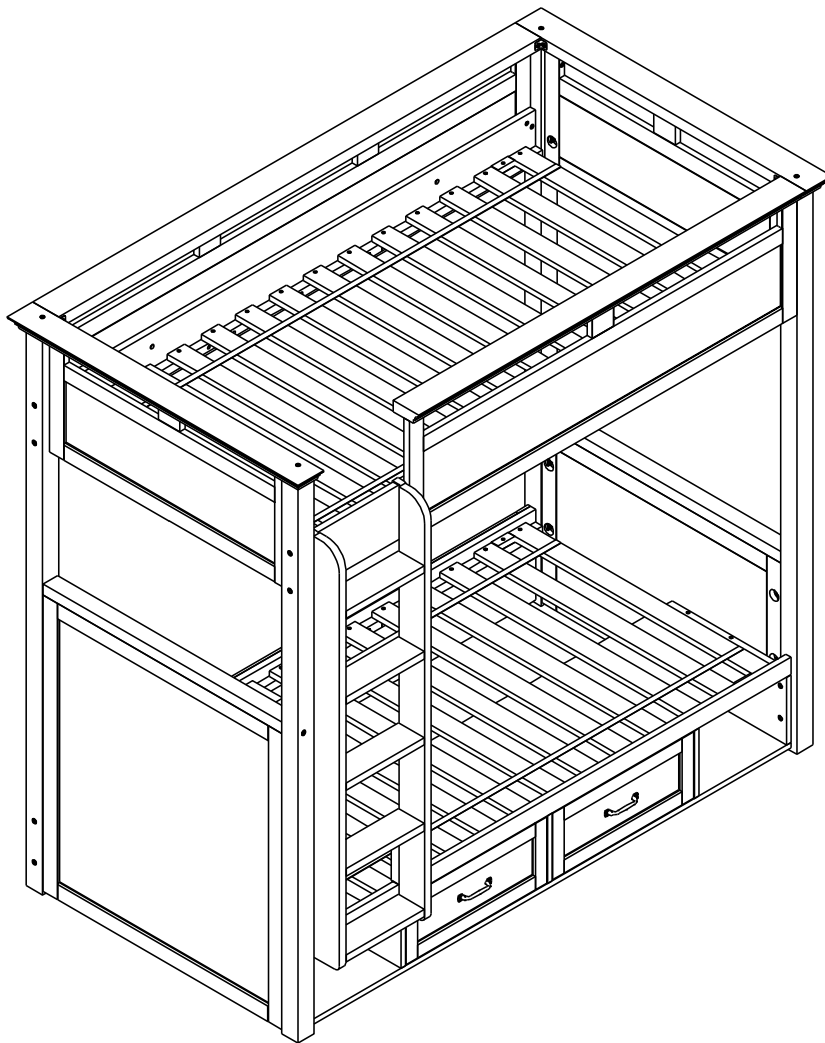
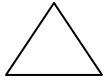




## Hampton Storage Bunk Bed Twin

### ASSEMBLY INSTRUCTIONS



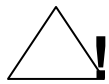


## **! WARNING:** Failure to follow these warnings and

### **assembly**

**instructions could result in serious injury or death. To help prevent serious or fatal injuries from entrapment or falls:**

- Read all instructions before assembling bunk bed.
- Before each usage or assembly, inspect bunk bed for damaged hardware, loose joints, missing parts or sharp edges. **DO NOT** use bunk bed if any parts are missing or broken.
- **DO NOT** use substitute parts. Contact pottery barn kids for replacement parts and instructional literature if needed.
- Follow the information on the warnings appearing on the upper bunk end structure and on the carton. **DO NOT REMOVE WARNING LABEL FROM BED.**
- Always use the recommended size mattress or mattress support, or both, to help prevent the likelihood of entrapment or falls.
- Ensure thickness of mattress on upper bunk does not exceed 9 inches and the surface of mattress must be at least 5 inches (127 mm) below the upper edge of guardrails.
- Only use the 9" thickness mattress on the lower bunk.
- Ensure both upper and lower bunk are assembled to the highest position when using the product as a bunk bed.
- Use only mattress which is 74"-75" long and 37.5"-38.5" wide on upper and lower bunk.
- Do not allow children under 6 years of age to use the upper bunk.
- Periodically check and ensure that the guardrail, ladder, and other components are in their proper position, free from damage, and that all connectors are tight.
- Do not allow horseplay on or under the bed and prohibit jumping on the bed.
- Prohibit more than one person on the upper bunk.
- Always use the ladder for entering and leaving the upper bunk.
- Use of a night light may provide added safety precaution for a child using the upper bunk.
- Always use guardrails on both long sides of the upper bunk. If the bunk bed will be placed next to the wall, the guardrail that runs the full length of the bed should be placed against the wall to prevent entrapment between the bed and wall.
- The use of water or sleep flotation mattresses is prohibited.
- If refinishing, use a non-toxic finish specified for children's products.  
**STRANGULATION HAZARD** - Never attach or hang items to any part of the bunk bed that are not designed for use with the bed; for example, but not limited to, hooks, belts and jump ropes.
- This bunk bed meets the requirements of ASTM F1427-13  
**KEEP THESE INSTRUCTIONS FOR FUTURE REFERENCE.**



## **MISE EN GARDE:** Tout défaut de se conformer aux mises

**en garde ou au mode d'assemblage pourrait entraîner des blessures graves et même mortelles. Pour éviter les accidents graves ou mortels causés par coincement ou chutes:**

- Lisez toutes les instructions d'assemblage avant d'assembler le lit superposé.
  - Avant chaque utilisation et après chaque assemblage, inspectez le lit superposé pour déceler tout signe d'endommagement, de desserrement des joints, la présence de rebords pointus ou l'absence de certaines pièces. **N'UTILISEZ PAS** le lit superposé si des pièces sont endommagées ou manquantes.
  - N'utilisez **PAS** de pièces de rechange. Appelez ou écrivez à pottery barn kids pour obtenir, le cas échéant, des pièces de remplacement ou un mode d'emploi.
  - Suivez les directives qui apparaissent sur la mise en garde affichée sur l'extrémité du lit supérieur et sur la boîte en carton. **NE PAS ENLEVER L'ÉTIQUETTE DE MISE EN GARDE DU LIT.**
  - Utilisez toujours un matelas ou un support de matelas de dimension recommandée, ou les deux, pour éviter les possibilités de coincement ou de chutes.
  - Veillez à ce que l'épaisseur du matelas du lit supérieur ne dépasse pas 22.9 cm (9po), et à ce que la surface du matelas se trouve à 127mm (5po) en dessous du bord supérieur de la barre de sécurité.
  - Utilisez seulement un matelas d'une épaisseur de 9po sur le lit superposé supérieur.
  - Assurez-vous que le lit supérieur et le lit inférieur sont assemblés au niveau le plus haut lorsque le produit est utilisé en lit superposé.
  - Utilisez seulement un matelas de 188 cm à 190 cm (74 à 75po) de longueur et de 95.3 à 97.8 cm (37,5 à 38,5po) de largeur sur le lit supérieur et inférieur.
  - Ne permettez pas à un enfant de moins de 6 ans de monter sur le lit supérieur.
  - Vérifiez régulièrement que les barrières de sécurité, l'échelle et les autres éléments sont fixés solidement en place, qu'ils ne sont pas endommagés et que tous les joints sont bien vissés.
  - Interdisez les bousculades sur le lit ou sous celui-ci, et interdisez que l'on saute sur le lit.
  - Ne laissez pas plus d'une personne à la fois sur le lit supérieur.
  - Utilisez toujours l'échelle pour grimper sur le lit supérieur et en descendre.
  - L'utilisation d'une veilleuse contribuera à la sécurité de l'enfant qui utilise le lit supérieur
  - Ayez toujours une barrière de sécurité installée de chaque côté du lit supérieur. Si le lit superposé est placé contre un mur, il faut placer la barrière de sécurité qui fait toute la longueur du lit contre le mur, pour éviter que l'enfant se retrouve coincé entre le lit et le mur.
  - L'utilisation d'un matelas d'eau ou de flottation est interdite.
  - Si vous deviez refaire la finition du lit, n'utilisez que des produits non toxiques conçus pour les produits destinés aux enfants.
- RISQUE D'ÉTRANGLEMENT** - il ne faut jamais attacher ni suspendre au lit superposé, des articles qui ne sont pas conçus pour être utilisés avec le lit; ceci englobe notamment, mais sans s'y limiter, les crochets, les ceintures et les cordes à sauter.
- Ce lit superposé répond aux exigences de ASTM F1427-13.
- CONSERVEZ CES INSTRUCTIONS POUR CONSULTATION ULTÉRIEURE.**

**Important Safety Instructions:**

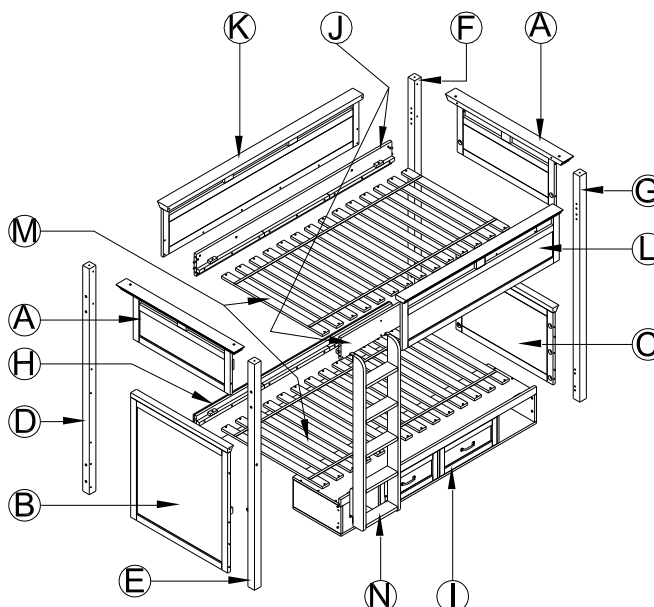
- Please read all instructions carefully before assembling.
- For your safety, assembly by two or more adults is strongly recommended.
- Keep instructions for future use.
- Use only vendor supplied hardware to assemble. Using unauthorized hardware could jeopardize the structural integrity of the item.

**Pre-assembly:**



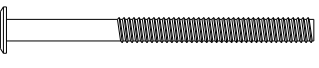
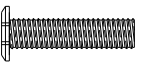
- Remove all parts and hardware from the box and lay out on a clear carpeted or scratch-free work surface, as this will avoid damaging parts during assembly. The shipping box provides an ideal work surface.
- Do not dispose of any packaging or contents of the shipping carton until assembly is completed to avoid accidentally discarding small parts or hardware.
- Use the parts and hardware lists below to identify and separate each of the pieces included.
- The illustrations provided allow for easier assembly when used in conjunction with the assembly instructions.
- The use of power tools to aid in assembly is not recommended. Power tools can damage hardware and split wood.





**Parts Included:**

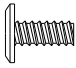

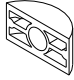

- (A) Upper Headboard – 2pcs
- (B) Lower Headboard – 1pc
- (C) Lower Footboard – 1pc
- (D) Left side Post on Headboard – 1pc
- (E) Right side Post on Headboard – 1pc
- (F) Left side Post on Footboard – 1pc
- (G) Right side Post on Footboard – 1pc
- (H) Lower Side rail – 1pc
- (I) Lower Storage box – 1pc
- (J) Upper Side rail – 2pcs
- (K) Long Guard rail – 1pc
- (L) Short Guard rail – 1pc
- (M) Slat roll – 2pcs
- (N) Ladder – 1pc









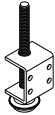
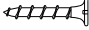
**HARDWARE INCLUDED:**

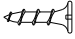
P – Allen Key	Q –Wrench	R – Bolt	S – Bolt
			
(Included)	88x10x2(mm)	5/16"x110x Φ 15(mm)	5/16"x32xΦ15(mm)
1pc	1pc	12pcs	4pcs

T – Bolt	U – Bolt	V – Bolt	W – Bolt
			
1/4"x76x Φ13 (mm)	1/4"x70x Φ13 (mm)	1/4"x50x Φ13 (mm)	1/4"x32x Φ13 (mm)

2pcs	4pcs	4pcs	15pcs
X – Bolt	Y – Bolt	Z – Half moon washer	Za – Nut
 1/4"x15x Φ 13 (mm)	 1/4"x50 (mm)	 1/4"x24x 8 (mm)	 1/4"x9.8x 4.2 (mm)
6pcs	14pcs	14pcs	14pcs

Zb – Spring Washer	Zc – Flat Washer	Zd – Spring Washer	Ze – Flat Washer
 1/4"x10x Φ 1.5 (mm)	 1/4"x12x1.5mm (mm)	 5/16"x13x 1.5 (mm)	 5/16"x15x 1.5 (mm)
39pcs	39pcs	16pcs	16pcs

Zf – Barrel nut	Zg – Mending plate	Zh – Leveler	Zi –Phillips head screw
 5/16"x15x Φ 12 (mm)	 25x25x26x2 (mm)	 3/8"x109x 30 (mm)	 8x 30 (mm)
12pcs	3pcs	2pcs	56pcs

Zj –Phillips head screw
 58x 19(mm)
12pcs

**Tools Required:**

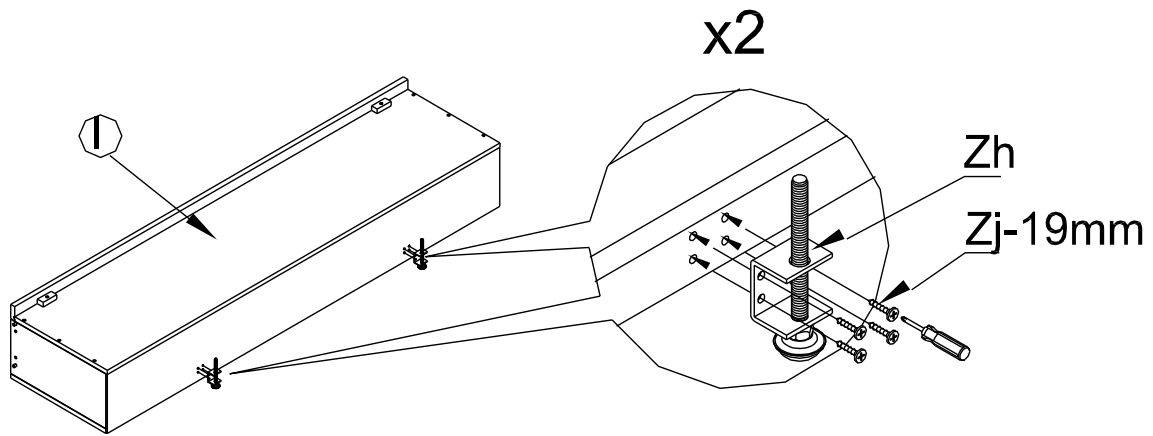
Philips Head Screw Driver



(not included)

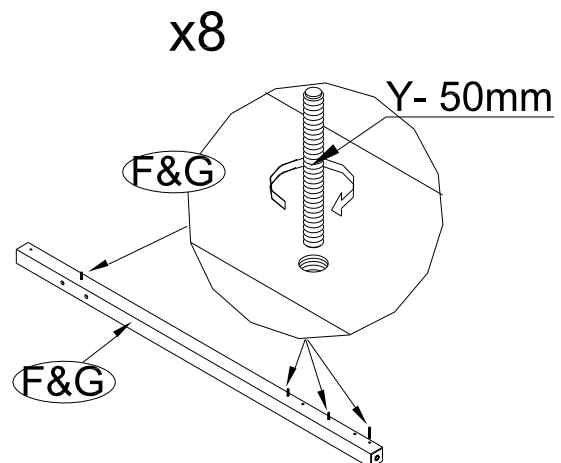
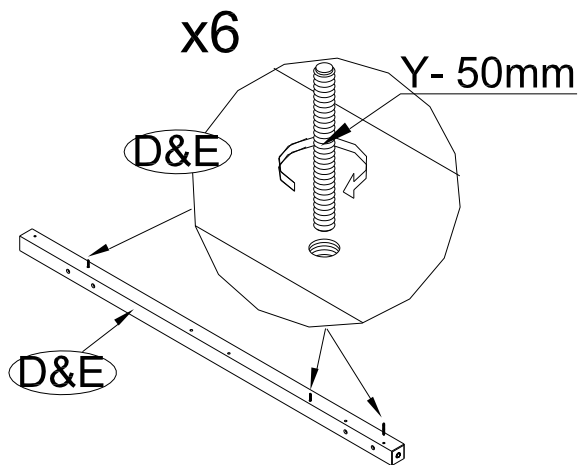
**Assembly Instruction Steps:**

1. Assemble 2pcs of levelers(Zj) to the back of Storage box (I) by using 8pcs of Phillips head screw (Zh) insert through pre-drilled hole of the storage box, fix the screws with Phillips head screw driver as shown below.



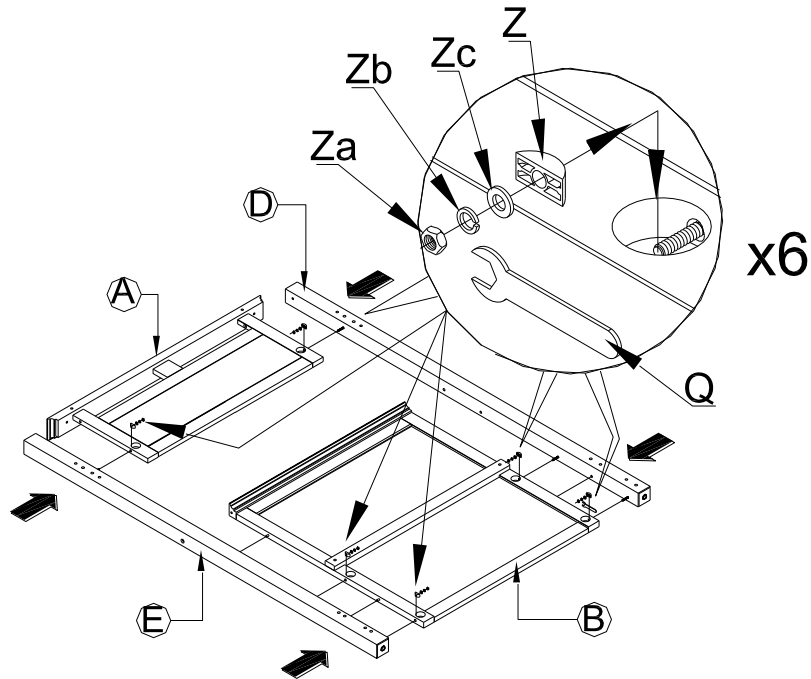
2. Insert 3pcs of Bolt (Y) to Post (D) and 3pcs of Bolt (Y) to Post (E) as shown below.

3. Insert 4pcs of Bolt (Y) to Post (F) and 4pcs of Bolt (Y) to Post (G) as shown below.

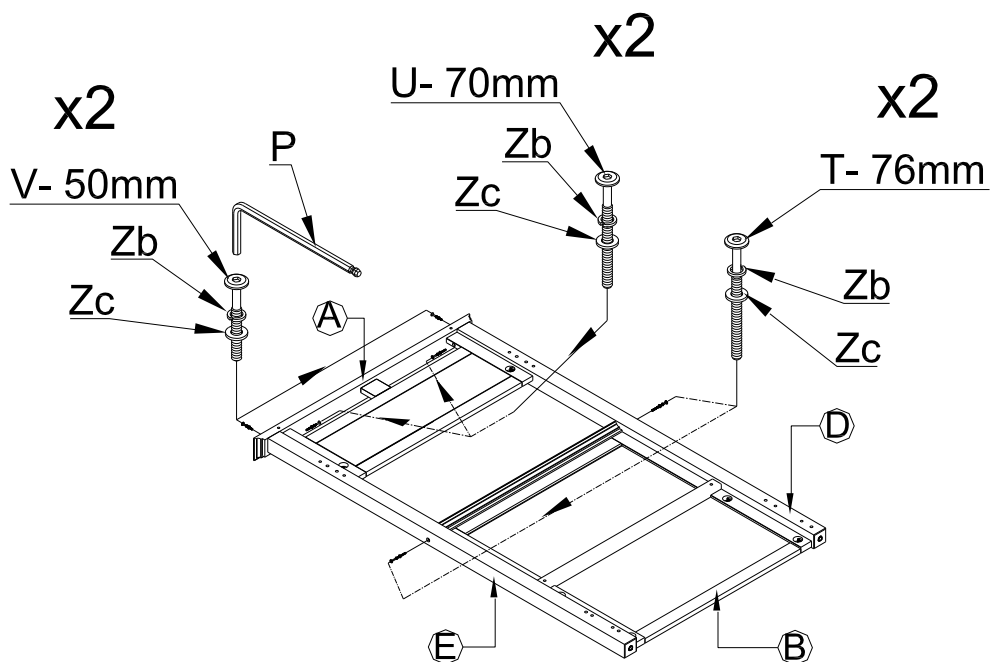




4 . Attach the Post (D&E) to 1pc of Upper Headboard (A) and Lower Headboard(B) by aligning the bolts of Post (D&E) to the cutouts on Headboard (A&B) with following hardware insert from the cutouts of the HB: Half moon washer (Z), Flat washer (Zc), Spring washer (Zb) and Nut (Za), tighten the nuts with Wrench (Q) as shown below.

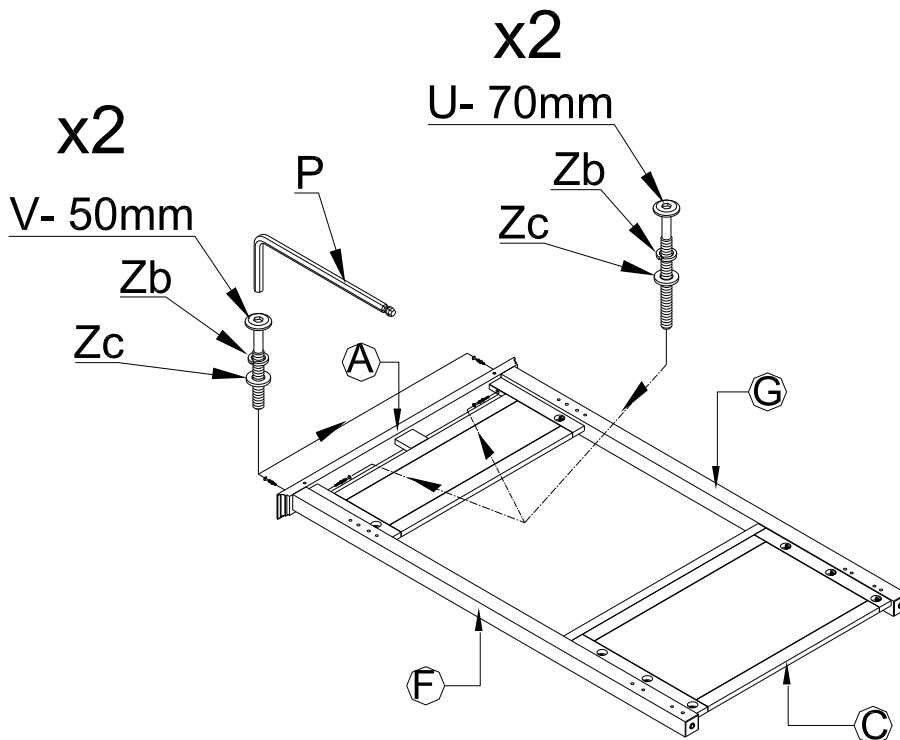
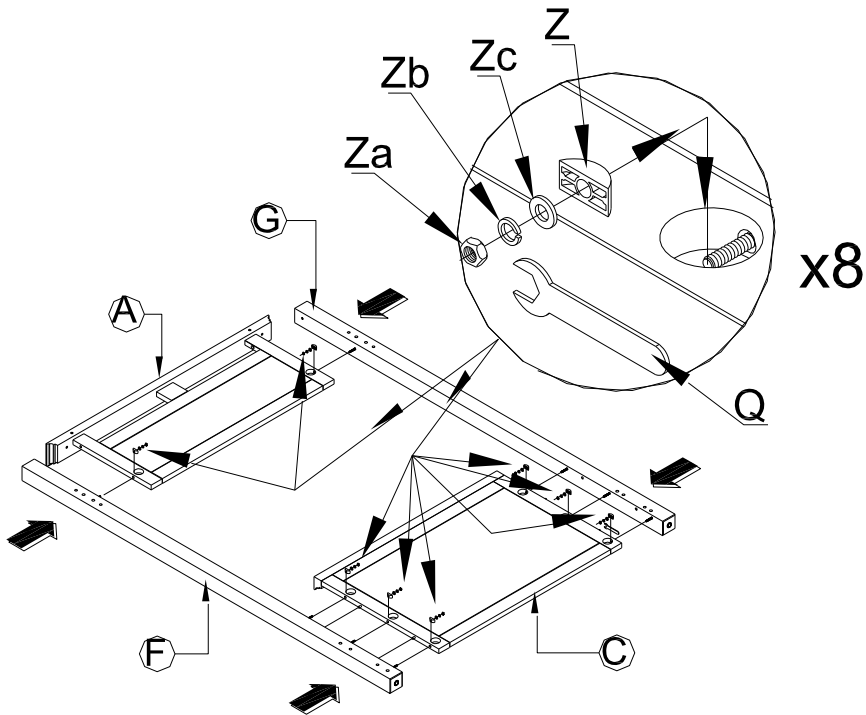


5. Insert 2pcs of Bolt (V) through the top of the Upper headboard followed by Spring washer (Zb) and Flat washer (Zc) , Insert 2pcs of Bolt (U) to the Upper headboard followed by Spring washer (Zb) and Flat washer (Zc), Insert 2pcs of Bolt (T) to the Posts followed by Spring washer (Zb) and Flat washer (Zc), tighten all the bolts with Allen key(P).

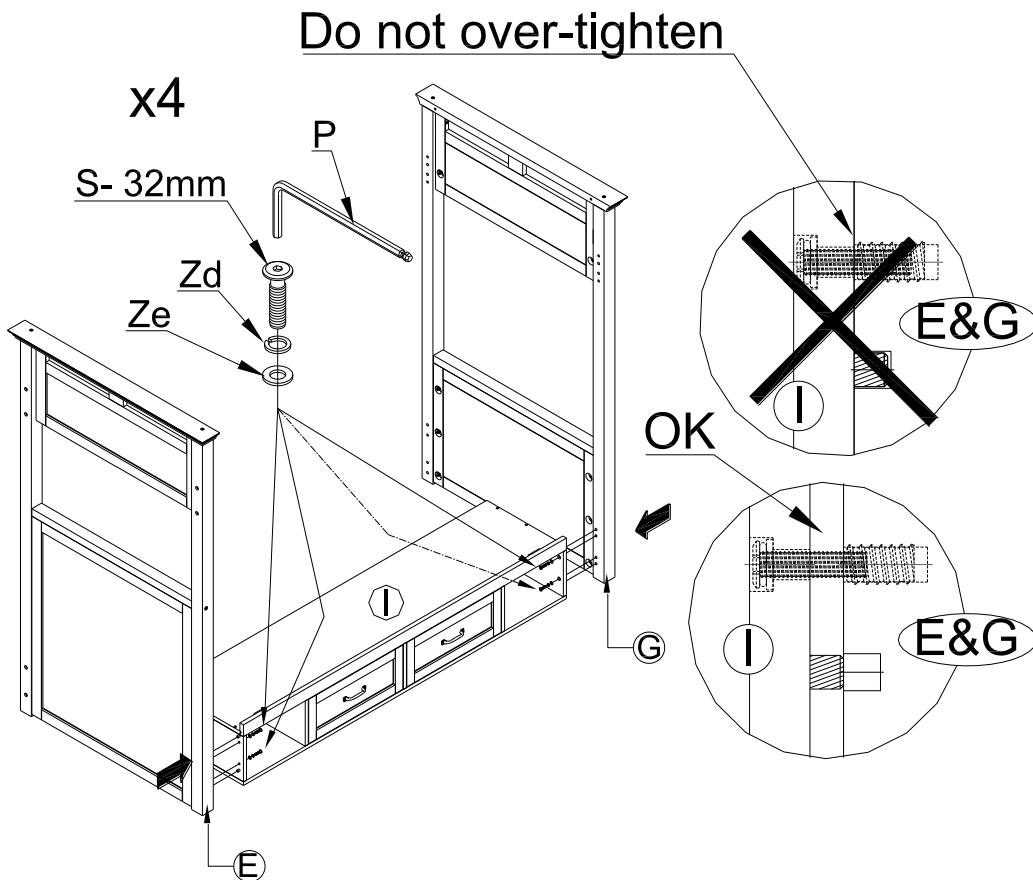




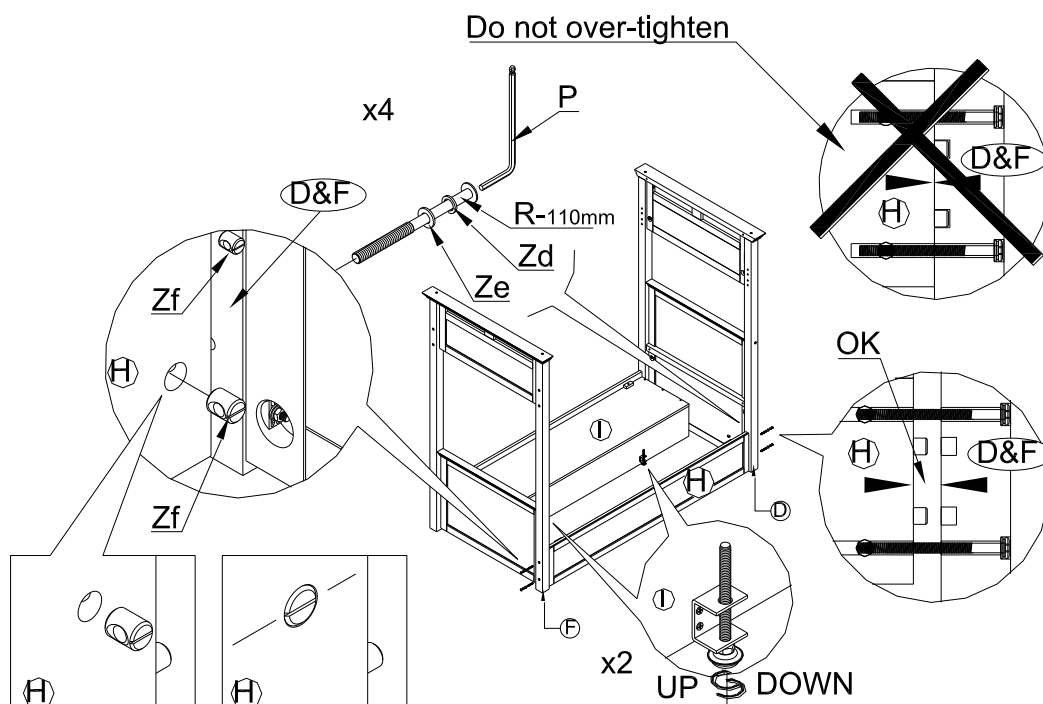
6. Repeat the above steps to finish assembly of another side of Upper Headboard(A), Footboard (C) and Posts (F&G).



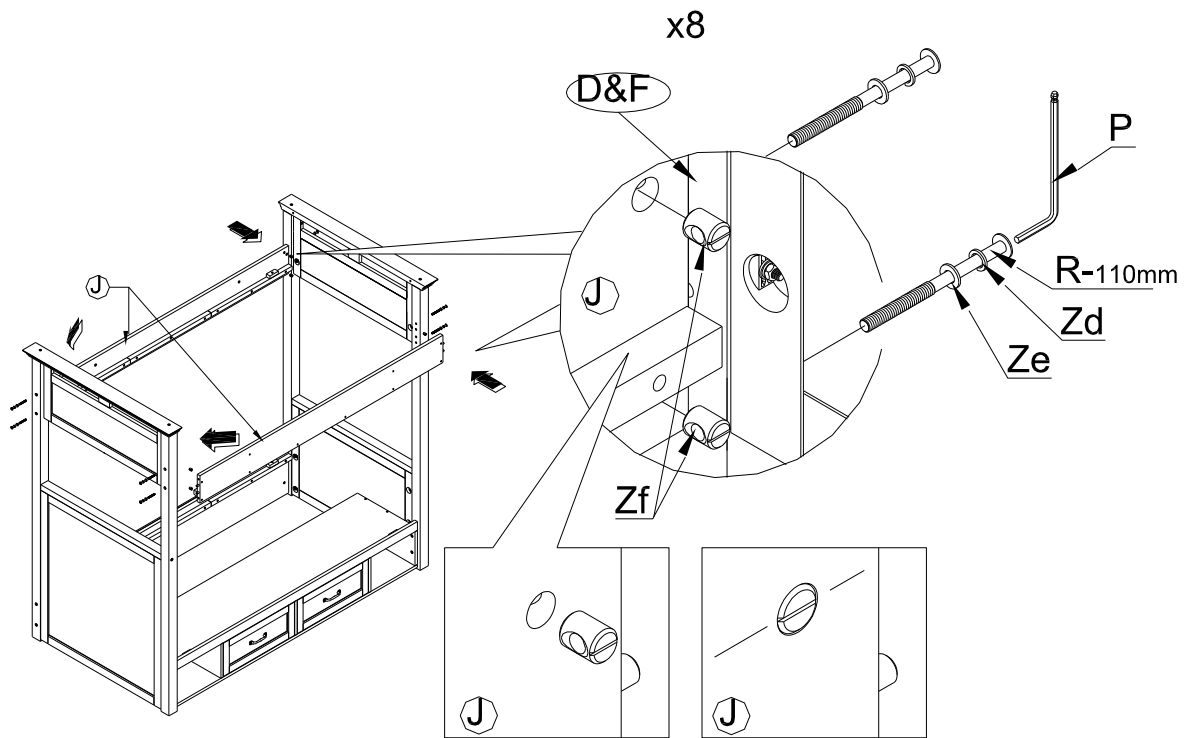
7. Attach the Storage box (I) to Headboard panels by using following hardware insert through the pre-drilled holes of Storage box and Headboards: 4pcs of Bolt(S), 4pcs of Spring washer (Zd) and 4pcs of Flat washer (Ze). Tighten all the bolts with Allen Key (P) but do not over tight.



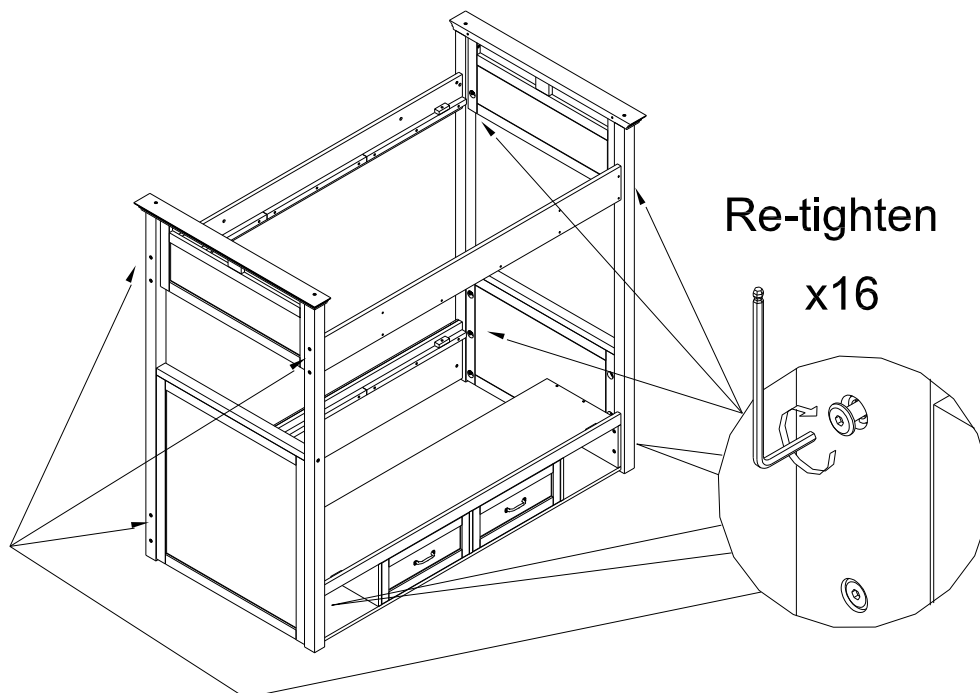
8. Attach the lower siderail (H) to Headboards by Inserting Barrel nut (Zf) through the outside of Headboards followed with Bolt (R), Spring washer (Zd) and Flat washer (Ze) as shown below. Adjust the leveler on the back of storage box to control the level of storage box. Tighten all the bolts with Allen Key (P) but do not over tight.



9 . Attach 2pcs of Upper siderail (J) to Headboards by Inserting Barrel nut (Zf) through the outside of Headboards followed with Bolt (R), Spring washer (Zd) and Flat washer (Ze) as shown below. Tighten all the bolts with Allen Key (P) but do not over tight.

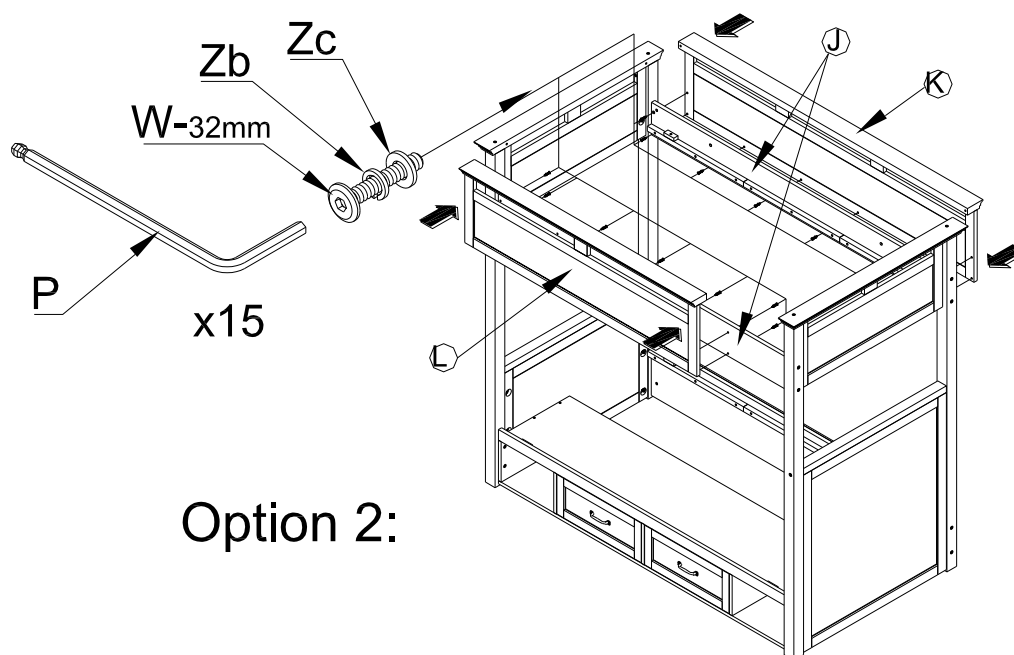
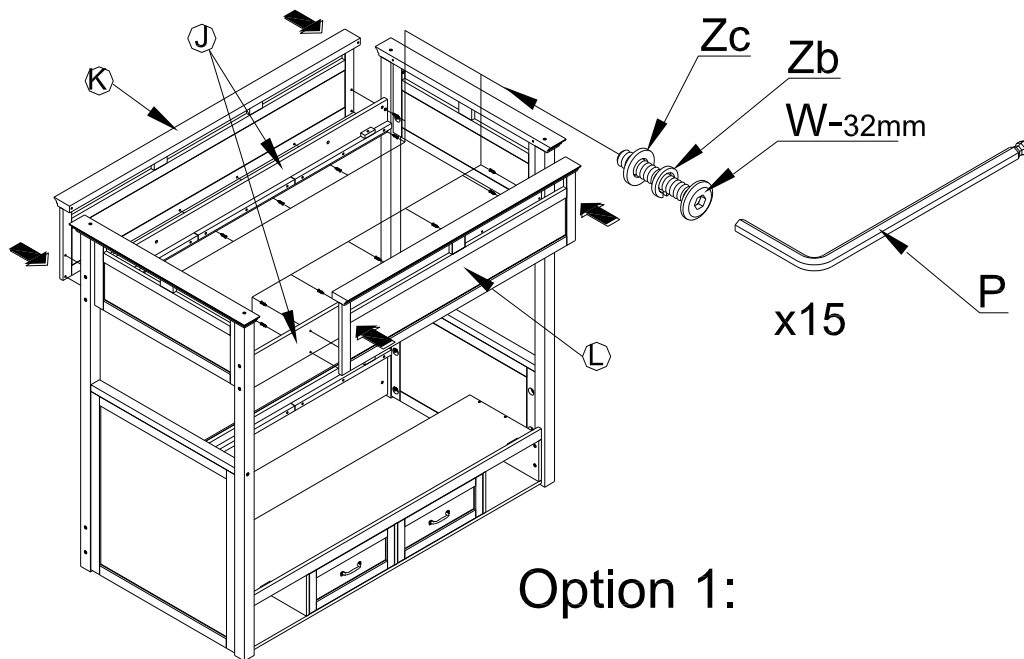


10. Tighten up all the bolts with Allen Key (P).

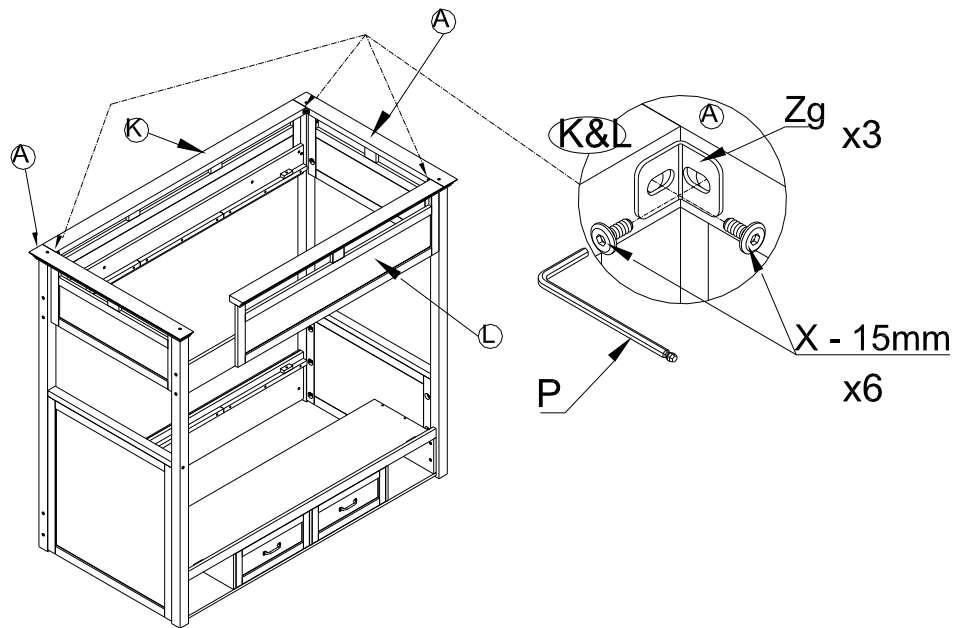


11. Attach Long guard rail (K) and Short guard rail (L) to Upper side rails (J) by using following hardware :Bolt (W), Spring washer (Zb) and Flat washer (Zc).

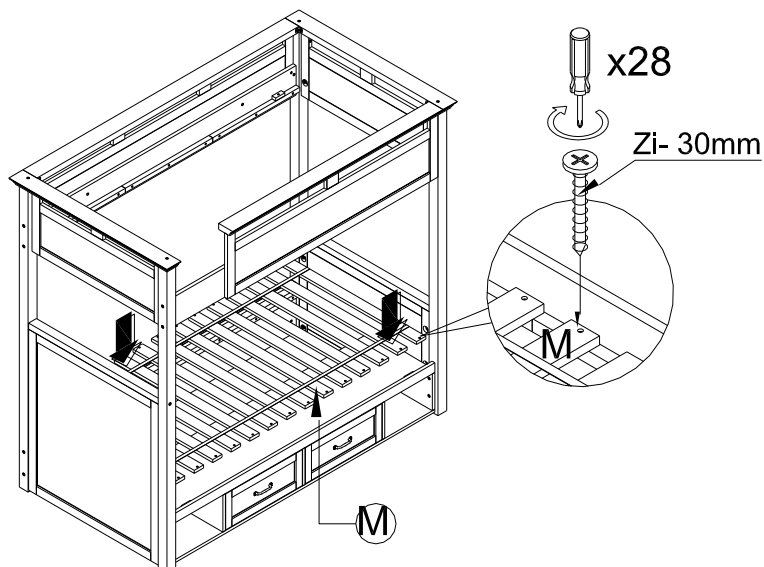
Note: 2 Guard rails can be installed to both siderails. You can decide the ladder location by moving the Short guard rail (L) to the side you want. Please refer to below sketches for more details.



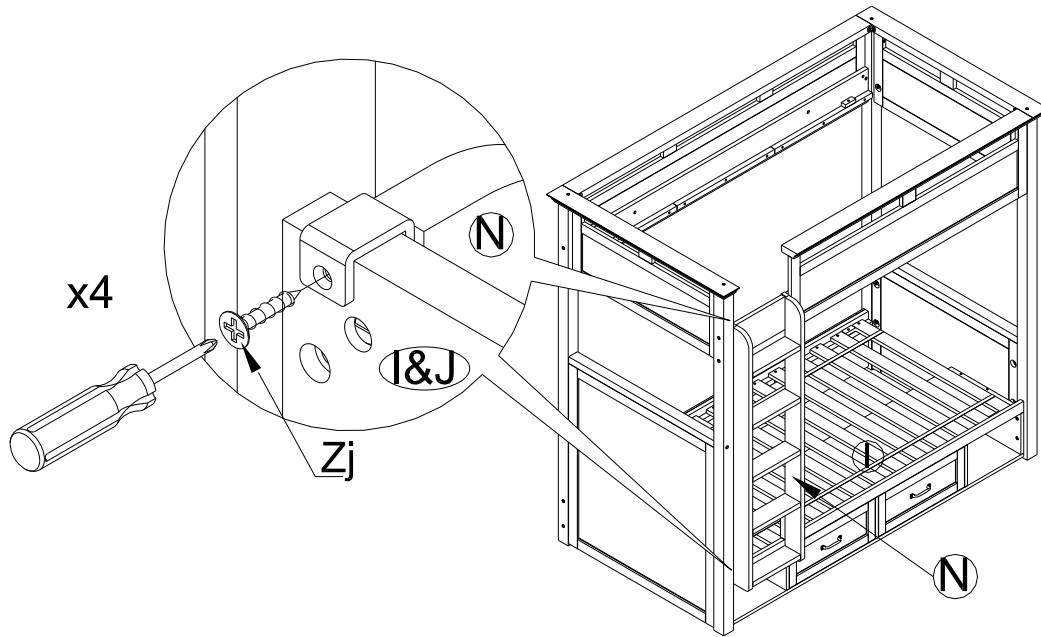
11. Assemble the mending plate (Zg) to 3 corners of upper bunk by using Bolt (X) insert through pre-drilled hole of Guard rails & Headboards. Tighten all bolts with Allen key but do not over tighten.



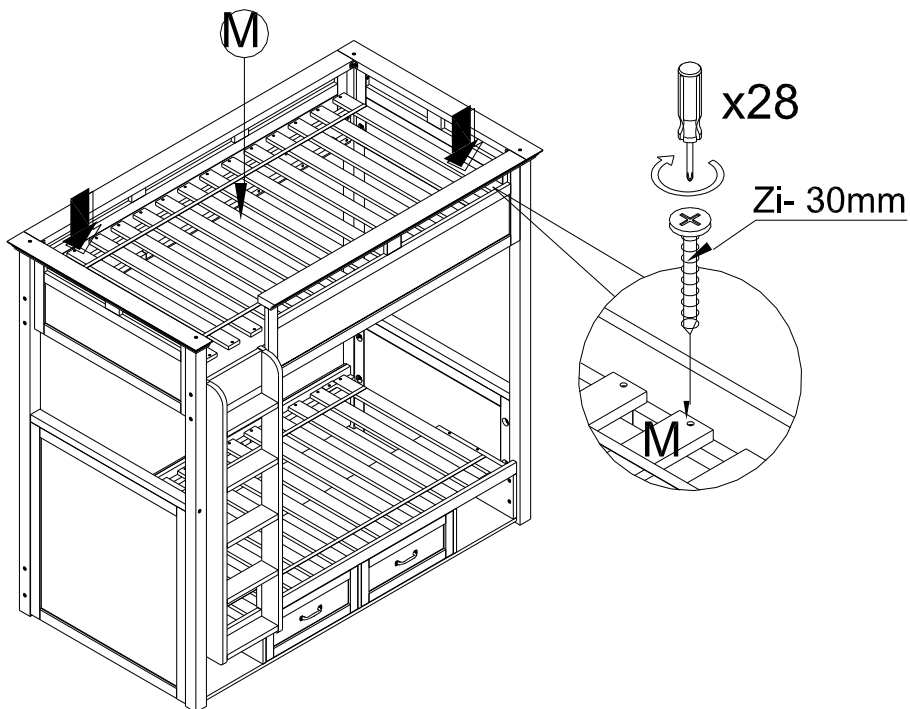
12. Lay the 1 set of Slats Roll (M) in between the Front and Back Guardrail of the bottom bunk. Make sure the ends of Small Slat Roll (M) rest upon the small ledge on the inside of the Front and Back Guardrails. Using a Phillips Head Screwdriver, secure the Small Slats Roll (M) to the Front and Back Guardrails with the Phillips Screws (Zi). Periodically tighten all connections.



13. Attach Ladder (N) to the ladder entrance of Short Guard rail (L) by placing ladder bracket over in position as shown and fastening with Small Phillips Screws (Zj) .



14. Lay the Slats Roll (M) in between the Front and Back Guardrails of upper bunk. Make sure the ends of Small Slat Roll (M) rest upon the small ledge on the inside of the Front and Back Guardrails. Using a Phillips Head Screwdriver, secure the Small Slats Roll (M) to the Front and Back Guardrails with the Phillips Screws (Zi). Periodically tighten all connections.



**Care Instructions:**

- Dust often using a clean, soft, dry and lint-free cloth.
- Blot spills immediately and wipe with a clean, damp, cloth.
- We do not recommend the use of chemical cleansers, abrasives or furniture polish on our lacquered finish.
- Hardware may loosen over time. Periodically check to make sure all connections are tight.  
Re-tighten if necessary.

Thank you for your purchase  
Stores | catalog | [www.potterybarnkids.com](http://www.potterybarnkids.com)  
USA 1.800.290.8181